



**527 II**

**Parts Manual**

MM152  
Rev. 07 (3-88)

Home

Find...

Go To..





This manual is furnished with each new TENNANT® Model 527 Series-2. It provides necessary operating and preventive maintenance instructions. Read this manual completely and understand the machine before operating or servicing it.

This manual covers all machine variations and standard accessories. The tabbed instruction portion of the manual consists of the Specification, Operation, Maintenance, and Appendix sections. The tabbed parts portion consists of the Standard Model Parts; LPG Parts; Diesel Parts; SRS® Model Parts; Accessories; Miscellaneous Components; Hydraulic Components; Engine Parts, Gasoline, LPG; Engine Parts, Diesel; Cross Reference; and Customer Documents sections.

All right side and left side references to the machine are determined by facing the direction of forward travel. All hardware considered to be of a common nature or locally available has been omitted from the parts sections. Be aware that this machine may contain metric hardware. Make sure you use equivalent hardware when replacement becomes necessary.

This machine will provide excellent service. However, the best results will be obtained at minimum costs if:

- The machine is operated with reasonable care.
- The machine is maintained regularly – per the maintenance instructions provided.
- The machine is maintained with Tennant Company supplied or equivalent parts.

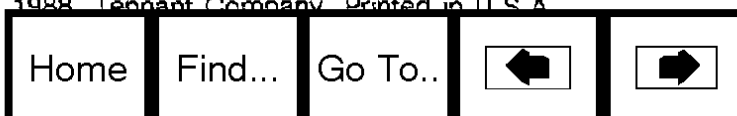
Parts and supplies may be ordered by phone or mail from any Tennant Company parts and service center, distributor, or from any of the Tennant Company subsidiaries. Before ordering parts or supplies, be sure to have your machine model number and serial number handy. Fill out the data block below for future reference. The telephone numbers, telex numbers, mailing addresses, and locations of those outlets are listed in the Customer Documents section of the manual.

<b>MACHINE DATA</b>	
<i>Please fill out at time of installation.</i>	
Machine Serial Number –	_____
Engine Serial Number –	_____
Sales Representative –	_____
Customer Number –	_____
Date of Installation –	_____
Manual Number –	MM152
Revision:	07
Published:	3-88
04172	

**Trademark Registered in:** Austria, Benelux, Denmark, England, France, Germany, Italy, Spain, Switzerland, United States, Argentina, Australia, Canada, Japan, Mexico, Sweden, by TENNANT COMPANY, Minneapolis, Minnesota, U.S.A.

**Acknowledgements:** Technical information and/or illustrations supplied by Ford Motor Company; Perkins Engines, Inc.; Cessna Fluid Power Division; Eaton Corporation, Hydraulics Division.

Copyright 1986, 1987, 1988, Tennant Company, Printed in U.S.A.



# INSTALLATION REPORT

MODEL 527 SERIES-2

*NOTE: This report must be completed, signed and returned.*

customer		date installed	
address		machine serial number	
city	state	engine model and serial number	
telephone number		Tennant Company Representative	

- OPERATION OF CONTROLS**
  - BRAKE PEDAL, PARKING BRAKE
  - DIRECTIONAL CONTROL PEDAL
  - SCRUB HEAD LOCK LEVER
  - ENGINE CONTROLS/GAUGES
  - SCRUB CONTROL LEVERS
  - SOLUTION FLOW CONTROL LEVER



- MACHINE OPERATION**
  - OPERATION MANUAL
  - SAFETY PRECAUTIONS
  - SELECTING DETERGENTS
  - STARTING ENGINE
  - SOLUTION APPLICATION
  - SQUEEGEE APPLICATION
  - TYPICAL SCRUBBING PROCEDURES
  - DRAINING RECOVERY TANK
  - EMPTYING DEBRIS HOPPER
  - FUEL TANK

- MAINTENANCE/SERVICING**
  - MAINTENANCE CHART
  - HYDRAULIC RESERVOIR
  - HYDRAULIC FILTER
  - HYDRAULIC FLUID
  - ENGINE OIL DIPSTICK
  - ENGINE OIL FILTER
  - ENGINE AIR FILTER
  - ENGINE TUNE-UP
  - ENGINE RADIATOR
  - ENGINE GOVERNOR
  - BELTS
  - SCRUB BRUSH REPLACEMENT
  - SQUEEGEE REPLACEMENT
  - CLEANING RECOVERY TANK
  - VACUUM HOSES
  - MASTER BRAKE CYLINDER
  - PARKING BRAKE
- ORDERING REPLACEMENT PARTS**
- TENNANT COMPANY WARRANTY**
- SERVICE**
- PLANNED MAINTENANCE AGREEMENT**
- TED PROGRAM**

I have checked the equipment and acknowledge that I have been instructed by a Tennant Company Representative and understand and will comply with all of the procedures and safety measures checked above.

customer signature \_\_\_\_\_ title \_\_\_\_\_ date \_\_\_\_\_

COMMENTS:

Home	Find...	Go To..		
------	---------	---------	--	---



# SECTION 5 STANDARD MODEL PARTS

## CONTENTS

	Page
Ordering Repair Parts .....	5-1
Fig. 1 - Recommended General Maintenance Items .....	5-2
Fig. 2 - Replacement Brushes .....	5-3
Fig. 3 - Main Frame Group .....	5-4
Fig. 4 - Engine Hood Assembly .....	5-6
Fig. 5 - Overhead Guard Group .....	5-7
Fig. 6 - Seat Group .....	5-8
Fig. 7 - Directional Control Group .....	5-9
Fig. 8 - Battery Group .....	5-10
Fig. 9 - Brake Pedal Cylinder Group .....	5-11
Fig. 10 - Right Side Brake Group .....	5-12
Fig. 11 - Left Side Brake Group .....	5-13
Fig. 12 - Drive Motors Group .....	5-14
Fig. 13 - Pumps Group .....	5-15
Fig. 14 - Engine Group .....	5-16
Fig. 15 - Engine Belts Group .....	5-18
Fig. 16 - Radiator Group .....	5-19
Fig. 17 - Carburetor and Air Cleaner Group .....	5-20
Fig. 18 - Fuel Tank and Shrouds Group .....	5-22
Fig. 19 - Muffler Group .....	5-24
Fig. 20 - Hydraulic Reservoir Group .....	5-25
Fig. 21 - Hydraulic Hoses Group .....	5-26
Fig. 22 - Main Control Valve Group .....	5-28
Fig. 23 - Steering and Front Caster Group .....	5-30
Fig. 24 - Vacuum Fan Assembly .....	5-32
Fig. 25 - Instrument Panel Assembly .....	5-34
Fig. 26 - Scrub Head Frame Group .....	5-35
Fig. 27 - Head Lock Group .....	5-36
Fig. 28 - Scrub Head Cover Group .....	5-38
Fig. 29 - Pick-Up Trough Assembly .....	5-39
Fig. 30 - Brush Drive Motors Group .....	5-40
Fig. 31 - Brush Door and Left Side Squeegee Assembly .....	5-42
Fig. 32 - Right Side Squeegee Assembly .....	5-43
Fig. 33 - Rear Squeegee Assembly .....	5-44
Fig. 34 - Control Handles and Solution Supply Group .....	5-46
Fig. 35 - Solution and Recovery Tank Group .....	5-48
Fig. 36 - Wire Harnesses Group .....	5-50
Fig. 37 - Labels Group .....	5-52

*NOTE: Section 5, Standard Model Parts, lists every repair part of a gasoline powered Model 527 Series-2.*



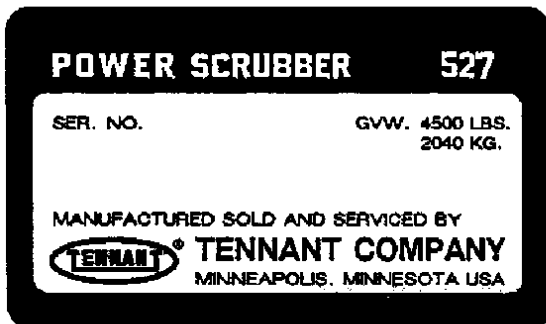
## ORDERING REPAIR PARTS

The components used in this machine have been carefully selected for performance and safety. Use only Tennant Company specified or equivalent parts.

To receive prompt service in filling of your parts orders, please direct all orders for parts with Tennant Company part numbers to the Tennant Company, and all orders for parts with vendor part numbers to the local supplier of the respective vendor.

When ordering parts, please furnish all of the following information:

1. Machine model number - shown on the machine data plate.



2. Machine serial number - shown on the machine data plate.
3. Power source - gasoline, LPG, diesel, electric.
4. Company name.
5. Shipping address.
6. Billing address.
7. Name, first and last - of person ordering parts.
8. Telephone number.
9. Purchase order number.
10. Part number, description, and quantity - of each item on the order.

Do not order parts by key number or the figure number of the illustrated parts. Indented items indicate parts of assemblies. Standard hardware is furnished only when part of a purchased assembly. Please get hardware from a local hardware supplier.

If the old part cannot be identified, send it to us with the quantity needed specified on the order.

Any claim for loss or damage to a shipment in transit should be filed promptly against the transportation company making the delivery. Shipments will be complete unless the packing list or order acknowledgement indicate items back ordered.

If parts received are suspected to be incorrect or defective, please write, wire, or phone the Tennant Company representative from whom you ordered the part. They will give authorization for return and/or handle replacement shipments when required.

## SERIAL NUMBER INFORMATION EXPLANATION .

Serial number listings are shown to indicate on which machines each part can be used. These listings are explained by the following examples:

(000000- ) The part can be used on all machines.

(003342- ) The part can be used on all machines beginning with the serial number listed.

(000000-004320) The part can be used on all machines up to and including serial number listed.

(004321-005678) The part can be used on all machines between and including the serial numbers listed.

Where xxxxx's are listed in place of a serial number, it indicates a change was made but the exact serial number had not been established when the catalog went to press.

SI UNITS OF MEASURE  
(INTERNATIONAL SYSTEM)

Metric equivalents have been included, where applicable, throughout this parts catalog.

## FASTENER STRENGTH IDENTIFICATION

Fasteners required to have high-strength qualities equivalent to SAE Grade 8 are identified throughout this catalog by the description GR 8. Unless identified by this description, all standard fasteners are SAE Grade 5.

(Specifications and design subject to change without notice.)

**Fig. 1 - Recommended General Maintenance Items**

Key	TENNANT® Part No.	Machine Serial Number	Description	Qty.
	57425	(S24000- )	Replacement Kit, Squeegee	1
	60005	(S24000- )	Blade, Front Squeegee	1
	60006	(S24000- )	Blade, Rear Squeegee	2
	60004	(S24000- )	Blade, Side Squeegee	2
	59617	(S24000- )	Flap, Containment	2
	59775	(S24000- )	Strip, Rear Backup	1
	59610A	(S24000- )	Blade, Side Backup	2
	57426	(S24000- )	Performance Package, 400 Hour, Gasoline	1
	45770-8	(S24000- )	Spark Plug	4
	58506	(S24000- )	Points Set	1
	58509	(S24000- )	Condenser	1
	82697	(S24000- )	Rotor, Overspeed Protection	1
	58507	(S24000- )	Cap, Distributor	1
	54911-24	(S24000- )	Gasket, Valve Cover	1
	38245	(S24000- )	Valve, PCV	1
	58120	(S24000- )	Element, Air Cleaner	1
	58122	(S24000- )	Filter, Engine Oil	8
	82525	(S24000-xxxxxx)	Filter, Fuel	1
	57449	(xxxxxx- )	Filter, Fuel	1
	32397-1	(S24000- )	Hydraulic Fluid, TENNANT®, HP1040, 1 Gal (3.8 L)	6
	55740	(S24000- )	Element, Hydraulic Filter	1
	01433-1	(S24000- )	Grease, Special	1
	57427	(S24000- )	Performance Package, 400 Hour, LPG	1
	45770-8	(S24000- )	Spark Plug	4
	58506	(S24000- )	Points Set	1
	58509	(S24000- )	Condenser	1
	82697	(S24000- )	Rotor, Overspeed Protection	1
	58507	(S24000- )	Cap, Distributor	1
	54911-24	(S24000- )	Gasket, Valve Cover	1
	38245	(S24000- )	Valve, PCV	1
	58120	(S24000- )	Element, Air Cleaner	1
	58122	(S24000- )	Filter, Engine Oil	8
	32397-1	(S24000- )	Hydraulic Fluid, TENNANT®, HP1040, 1 Gal (3.8 L)	6
	55740	(S24000- )	Element, Hydraulic Filter	1
	01433-1	(S24000- )	Grease, Special	1
	57428	(S24000- )	Performance Package, 400 Hour, Diesel	1
	58120	(S24000- )	Element, Air Cleaner	1
	52770-5	(S24000- )	Element, Oil Filter	2
	52770-9	(S24000- )	Element, Fuel Filter	2
	32397-1	(S24000- )	Hydraulic Fluid, TENNANT®, HP1040, 1 Gal (3.8 L)	6
	55740	(S24000- )	Element, Hydraulic Filter	1
	01433-1	(S24000- )	Grease, Special	1



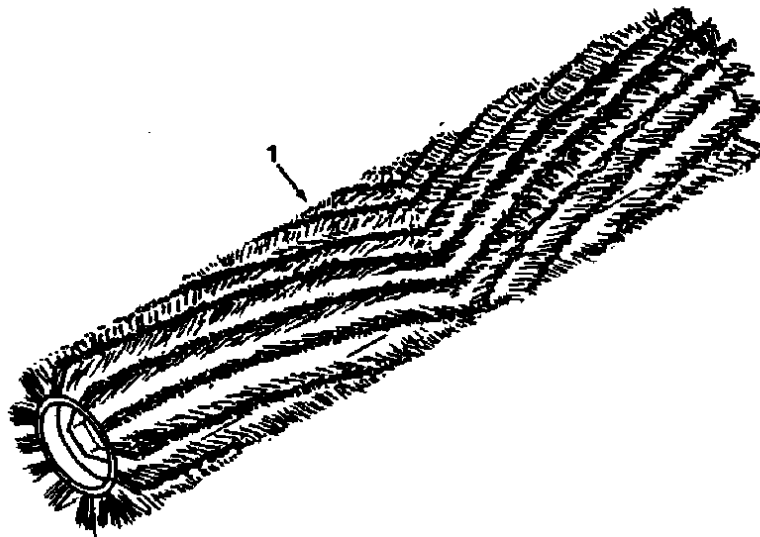


Fig. 2 - Replacement Brushes Group

00519

Key	Tennant® Part No.	Machine Serial Number	Description	Qty.
1	<del>56863</del>	(S24000- )	Brush, Scrub, Polypropylene	2
1	56879	(S24000- )	Brush, Scrub, Abrasive Bristle, Heavy	2
1	56876	(S24000- )	Brush, Scrub, Aggressive	2
1	02864	(S24000- )	Brush, Scrub, Nylon	2
	12876 .....		Brush Kit, Flange Repair .....	1

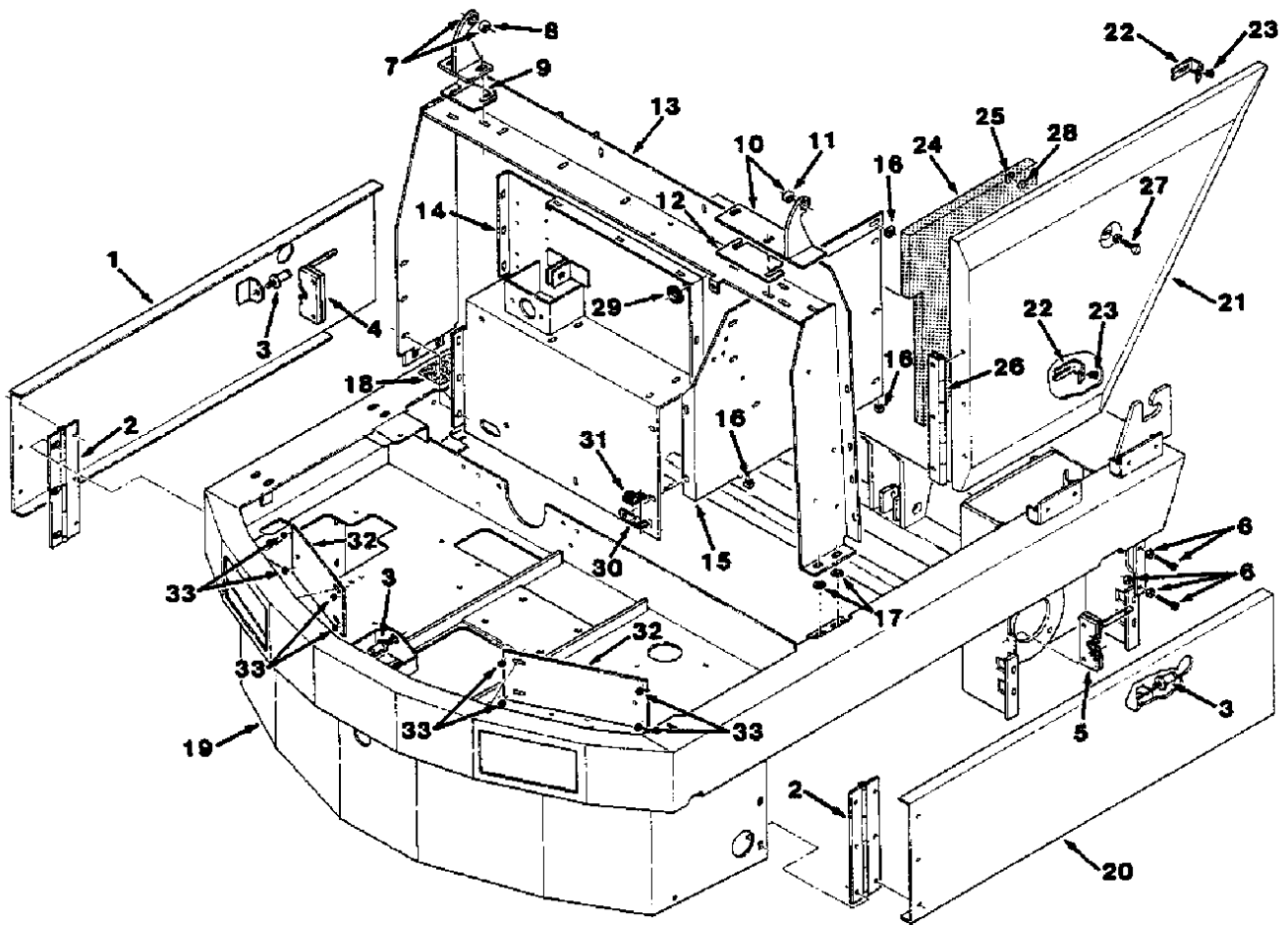
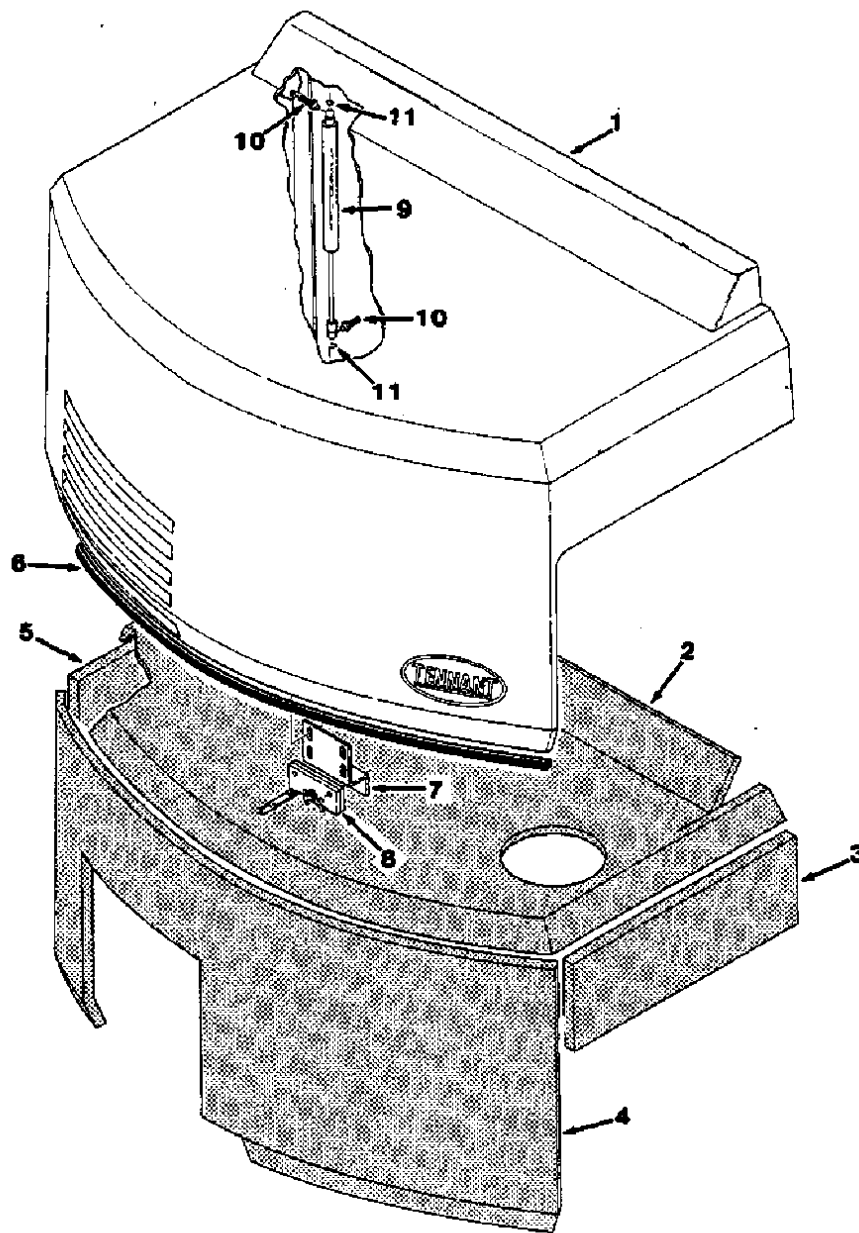


Fig. 3 - Main Frame Group

Fig. 3 - Main Frame Group

Key	Tennant® Part No.	Machine Serial Number	Description	Qty.
1	57241	(S24000- )	Door, R.H.	1
2	57239	(S24000- )	Hinge	2
3	58898	(S24000- )	Bolt, Latch	3
4	58844	(S24000- )	Latch, Hook, L.H.	1
5	58489	(S24000- )	Latch, Hook, R.H.	1
6	75128	(S24000- )	Spindle, Adjustment	4
7	64416-1	(S24000- )	Hinge Assembly, Hood	1
8	64377	(S24000- )	Bearing, Journal	1
9	69231	(S24000- )	Shim, Hood Hinge	1
10	57354	(S24000- )	Hinge Assembly, Hood	1
11	64377	(S24000- )	Bearing, Journal	1
12	57357	(S24000- )	Shim, Hood Hinge	1
13	57069	(S24000- )	Support, Hood	1
14	57060	(S24000- )	Firewall	1
15	16346	(S24000- )	Panel, Driver Compartment	1
16	41665	(S24000- )	Nut, Retainer	4
17	75456-2	(S24000- )	Shim	2
18	75430	(S24000- )	Pad, Tread	1
19	57077	(S24000- )	Frame, Main	1
20	57238	(S24000- )	Door, L.H.	1
21	57072	(S24000- )	Door, Side	1
22	64512	(S24000- )	Stop, Door	2
23	51787	(S24000- )	Bumper, Rubber	2
24	69667	(S24000- )	Insulation, Foam	1
25	28165	(S24000- )	Fastener	1
26	57262	(S24000- )	Hinge, Side Door	1
27	43460	(S24000- )	Fastener, Winghead	1
28	26015	(S24000- )	Fastener	1
29	10632-14	(S24000- )	Grommet	1
30	69465	(S24000- )	Strip, Clamp	1
31	40678-1	(S24000- )	Clamp, Cable	1
32	64756	(S24000- )	Plate, Panel Filler	2
33	64757	(S24000- )	Bumper, Rubber	8



**Fig. 4 - Engine Hood Assembly**

02520

Key	Tennant® Part No.	Machine Serial Number	Description	Qty.
1	57071	(S24000- )	Hood, Engine	1
2	64185	(S24000- )	Insulation, Hood	1
3	57313	(S24000- )	Insulation, Hood	1
4	57312	(S24000- )	Insulation, Hood	1
5	16255	(S24000- )	Insulation, Hood	1
6	57510	(S24000- )	Seal	1
7	57086	(S24000- )	Plate, Hood Latch Mount	1
8	58489	(S24000- )	Latch, Hook, R.H.	1
9	64535	(S24000- )	Spring, Pneumatic	1
10	58494	(S24000- )	Stud, Ball	2
11	64595	(S24000- )	Clip, Safety	2

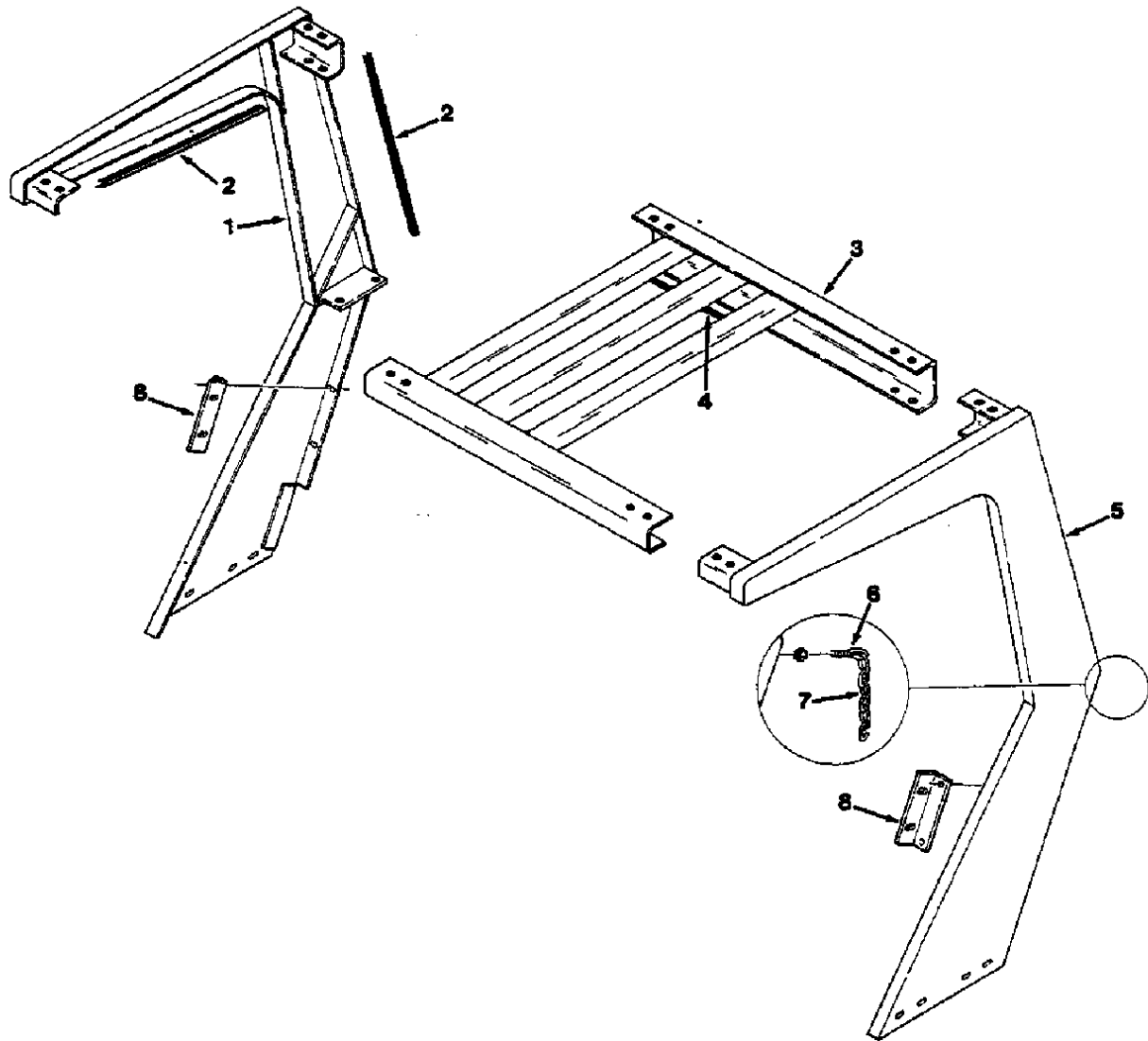
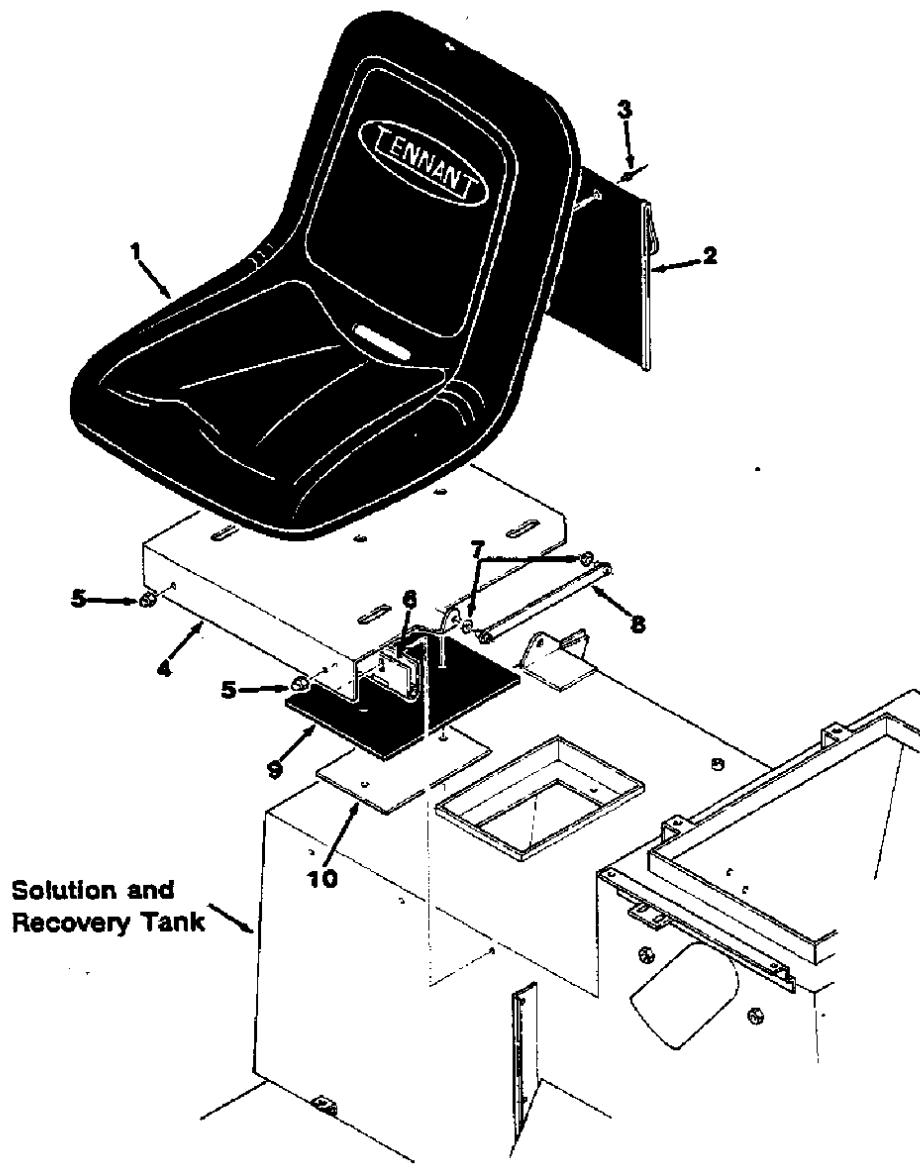


Fig. 5 - Overhead Guard Group

00476

Key	Tennant® Part No.	Machine Serial Number	Description	Qty.
1	57319	(S24000- )	Support, Guard, R.H.	1
2	62595-11	(S24000- )	Molding, Rigid	2
3	64247	(S24000- )	Channel, Guard	1
4	62595-2	(S24000- )	Molding, Rigid	1
5	57321	(S24000- )	Support, Guard, L.H.	1
6	11893	(S24000- )	Eyebolt	2
7	57399	(S24000- )	Chain and Hook Assembly	2
8	64274-1	(S24000- )	Bracket, Mounting	2



**Fig. 6 - Seat Group**

02507

Key	Tennant® Part No.	Machine Serial Number	Description	Qty.
1	79605	(S24000- )	Seat	1
2	68275	(S24000- )	Pouch, Manual	1
3	68567	(S24000- )	Rivet, Pop	2
4	64341	(S24000- )	Bracket, Seat	1
5	41127	(S24000- )	Nut, Low Crown	2
6	64342	(S24000- )	Hinge	1
7	43611	(S24000- )	Washer, Nylon	2
8	64060-1	(S24000- )	Link, Seat	1
9	64338	(S24000- )	Gasket, Door	1
10	64339	(S24000- )	Plate, Gasket	1

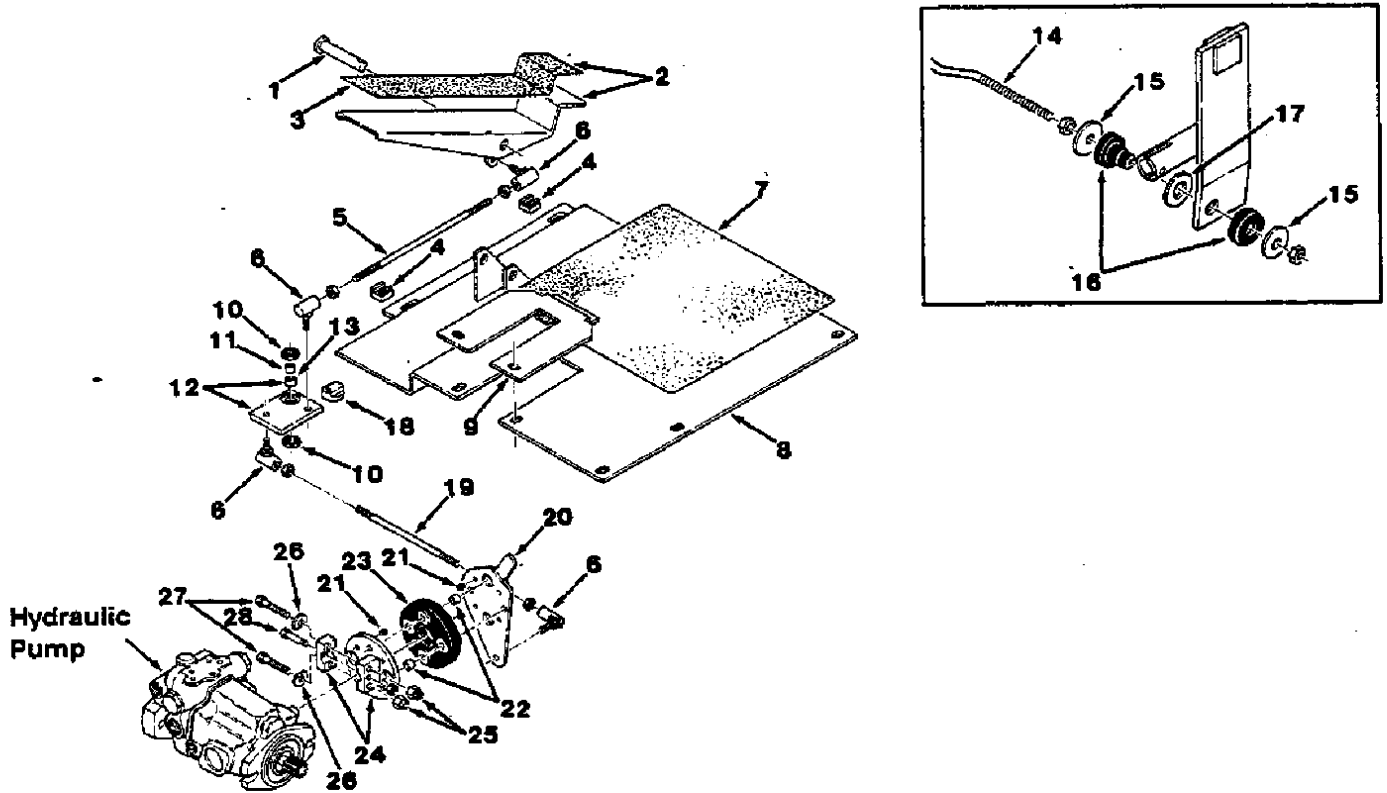


Fig. 7 - Directional Control Group

02508

Key	Tennant® Part No.	Machine Serial Number	Description	Qty.
1	23683	(S24000- )	Pin, Clevis	1
2	64791	(S24000- )	Pedal Assembly	1
3	75430	(S24000- )	Pad, Tread	1
4	29124	(S24000- )	Nut, Retainer	2
5	64552	(S24000- )	Stud	1
6	51531	(S24000- )	Ball Joint	4
7	69571	(S24000- )	Mat, Floor	1
8	64370	(S24000- )	Plate, Floor	1
9	64028	(S24000- )	Door, Floor Plate	1
10	59633	(S24000- )	Bearing, Thrust	2
11	64192	(S24000- )	Bearing, Sleeve	1
12	57309	(S24000- )	Lever Assembly, Pump Control	1
13	64173	(S24000- )	Bearing	1
14	57074	(S24000-S24470)	Stud	1
15	57047	(S24000-S24470)	Washer	2
16	57270	(S24000-S24470)	Isolator	1
17	32495	(S24000-S24470)	Washer	1
18	64487	(S24000- )	Cam	1
19	50494	(S24471- )	Stud	1
20	03553	(S24471- )	Plate, Pump Control	1
21	56855	(S24471- )	Bumper, Rubber	8
22	64991	(S24471- )	Sleeve	4
23	57875	(S24471- )	Coupling, Shaft	1
24	04081	(S24471- )	Coupling, L.H.	1
25	03556	(S24471- )	Nut, Self-Locking	2
26	09787	(S24471- )	Washer, Clipped	2
27	19580	(S24471- )	Screw, Socket	2
28	31249	(S24471- )	Screw, Shoulder	1

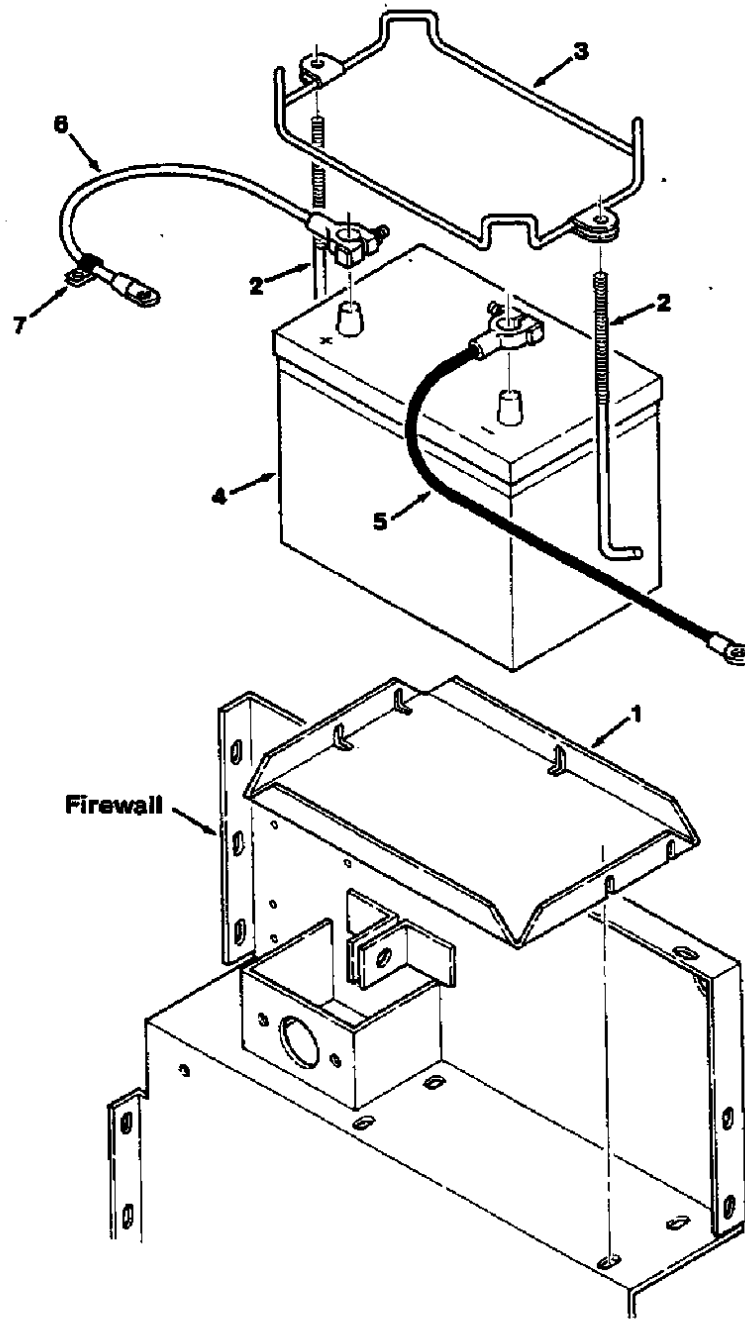


Fig. 8 - Battery Group

02500

Key	Tennant® Part No.	Machine Serial Number	Description	Qty.
1	64591	(S24000- )	Tray	1
2	13015-2	(S24000- )	Bolt, Hold-Down	2
3	13016	(S24000- )	Bracket, Battery Hold-Down	1
4	10137	(S24000- )	Battery, 475 CCA	1
5	57345	(S24000- )	Cable, Battery, Negative	1
6	76313	(S24000- )	Cable, Battery, Positive	1
7	46236	(S24000- )	Clamp, Cable	1



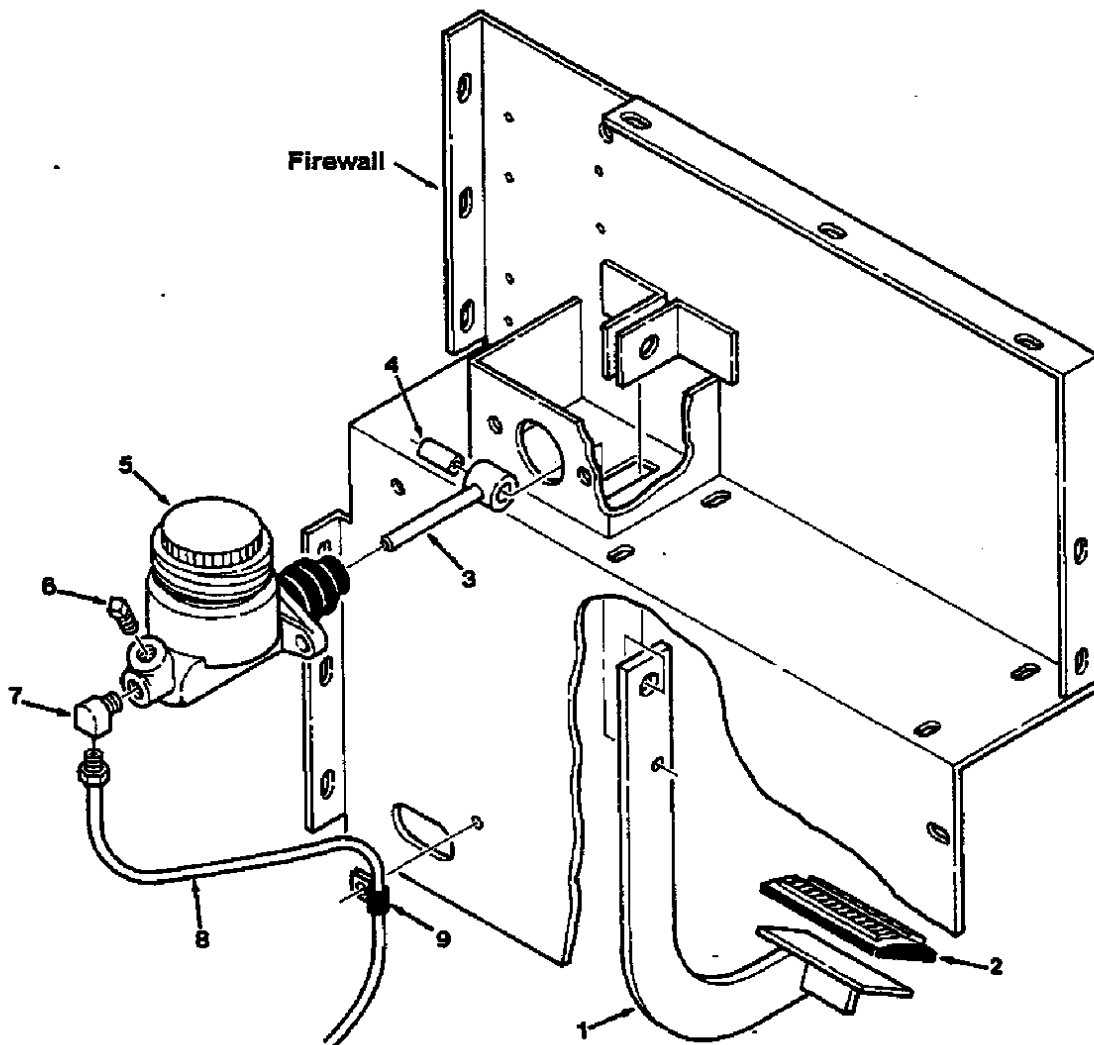


Fig. 9 - Brake Pedal and Cylinder Group

02498

Key	Tennant® Part No.	Machine Serial Number	Description	Qty.
1	57053	(S24000- )	Pedal, Brake	1
2	51109	(S24000- )	Pad	1
3	57057	(S24000- )	Rod, Push	1
4	57311	(S24000- )	Spacer	1
5	SK2136	(S24000- )	Replacement Kit, Master Cylinder	1
	SK2137	(S24000- )	Repair Kit, Cylinder	1
6	48126	(S24000- )	Fitting	1
7	53078	(S24000- )	Fitting, Elbow	1
8	76058	(S24000- )	Tube Assembly, Brake Line	1
9	46236	(S24000- )	Clamp, Cable	1

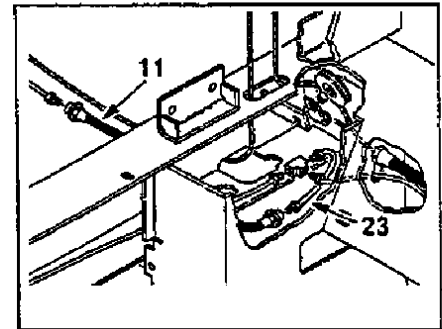
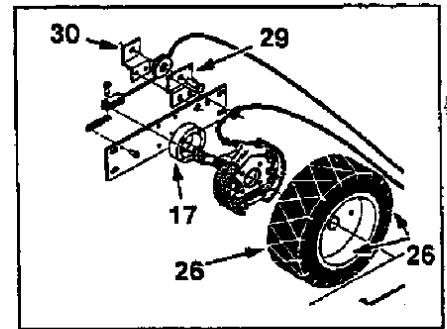
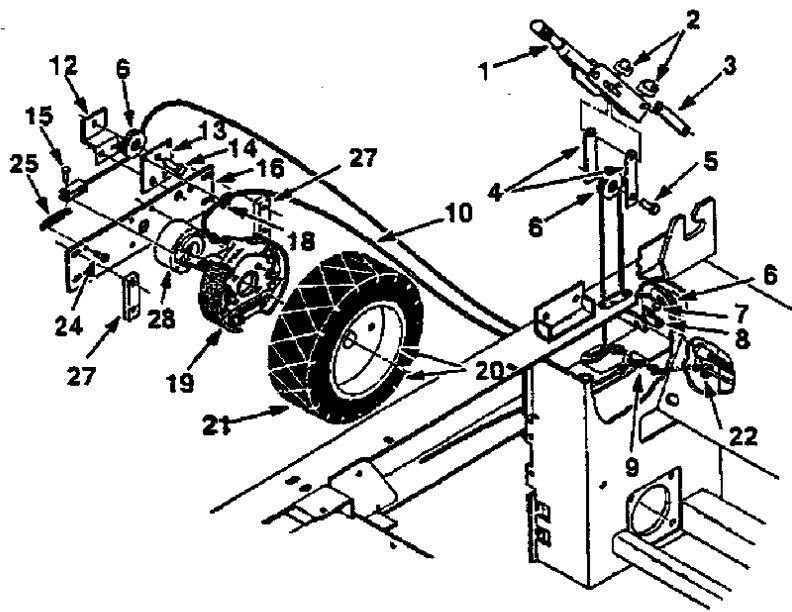


Fig. 10 - Right Side Brake

02504

Key	TENNANT® Part No.	Machine Serial Number	Description	Qty.
1	51545	(S24000- )	Lever, Brake	1
2	51562	(S24000- )	Sleeve	2
3	57791	(S24000- )	Plate, Spacer	1
4	57184	(S24000- )	Bar, Pulley Mounting	2
5	51530	(S24000- )	Pin, Clevis	1
6	58279	(S24000- )	Pulley, Cable	3
7	59632	(S24000- )	Sleeve	1
8	57231	(S24000- )	Keeper, Cable	1
9	53079	(S24000- )	Fitting, Tee	1
10	76053	(S24000- )	Tube Assembly, Brake Line	1
11	14446	(S24000-S24116)	Hose Assembly, Brake Line	1
12	09588	(S25583- )	Bracket	1
13	09589	(S25583- )	Bracket	1
14	51529	(S24000- )	Pin, Clevis	1
15	04733	(S24000- )	Pin, Clevis	1
16	09602	(S24000- )	Plate, Brake Mount	1
17	57122	(S24000-S25582)	Tube, Brake Spacer	1
18	46236	(S24000- )	Clamp, Cable	1
19	57233	(S24000- )	Brake Assembly, R.H.	1
	58329	(S24000- )	Replacement Kit, Brake Cylinder	1
	58330	(S24000- )	Replacement Kit, Brake Shoe	1
20	09573	(S25583- )	Wheel Assembly, Drive	1
21	09571	(S25583- )	Tire	1
22	10632-18	(S24117- )	Grommet	1
23	76053	(S24000-S24116)	Tube Assembly, Brake Line	1
24	23786	(S24000- )	Pin, Clevis	1
25	28281	(S24000- )	Spring, Tension	1
26	09576	(S24000-S25582)	Replacement Kit, Drive Wheel	1
27	09584	(S25583- )	Spacer, Brake Plate	2
28	09601	(S25583- )	Spacer, Brake	1
29	57096	(S24000-S25582)	Bracket	1
30	57097	(S24000-S25582)	Bracket	1

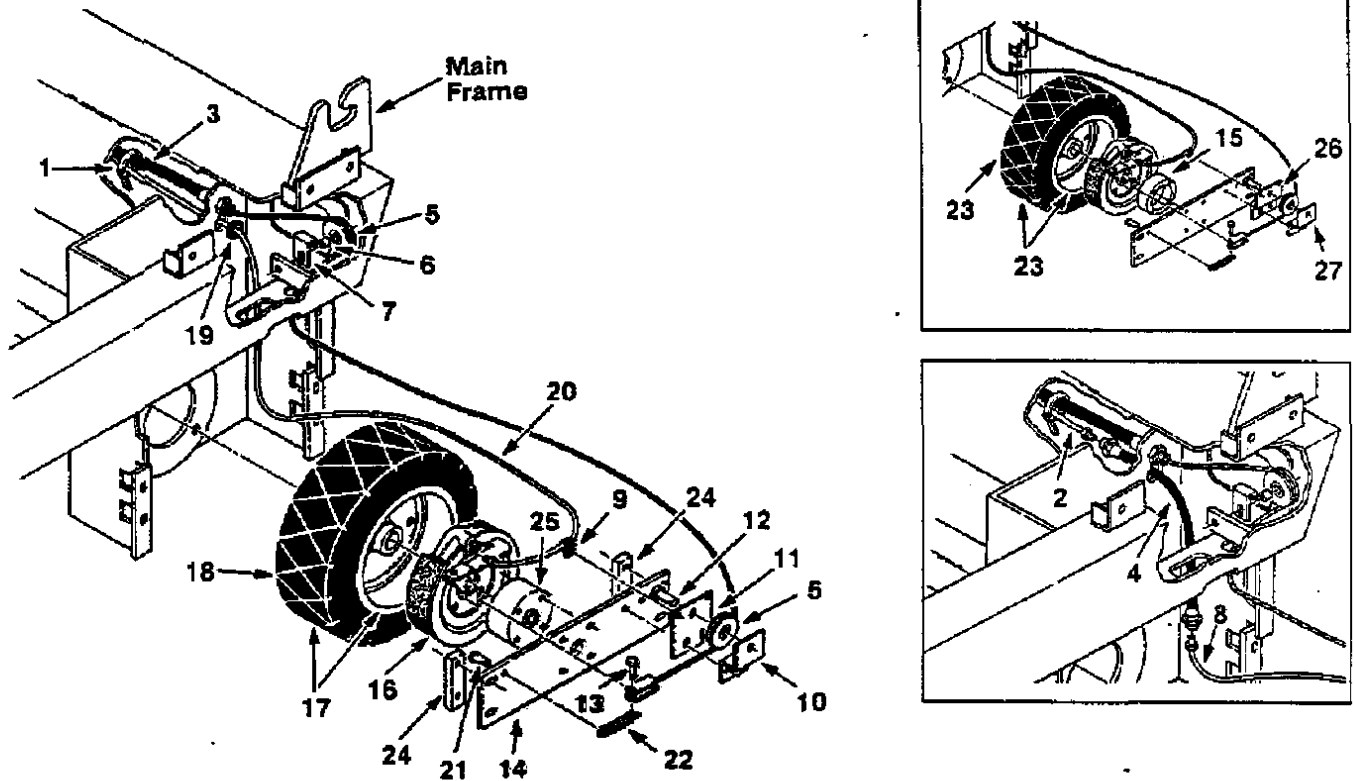


Fig. 11 - Left Side Brake Group

02503

Key	TENNANT® Part No.	Machine Serial Number	Description	Qty.
1	44961	(S24000- )	Tie, Cable	2
2	42239	(S24000-S24116)	Tube Assembly, Brake Line	1
3	57123	(S24000- )	Cable, Brake	1
4	14446	(S24000-S24116)	Hose Assembly, Brake Line	1
5	58279	(S24000- )	Pulley, Cable	2
6	59632	(S24000- )	Sleeve	1
7	57231	(S24000- )	Keeper, Cable	1
8	76053	(S24000-S24116)	Tube Assembly, Brake Line	1
9	46236	(S24000- )	Clamp, Cable	1
10	09588	(S25583- )	Bracket	1
11	09589	(S25583- )	Bracket	1
12	51529	(S24000- )	Pin, Clevis	1
13	04733	(S24000- )	Pin, Clevis	1
14	09602	(S24000- )	Plate, Brake Mount	1
15	57122	(S24000-S25582)	Tube, Brake Spacer	1
16	57232	(S24000- )	Brake Assembly, L.H.	1
	58329	(S24000- )	Replacement Kit, Brake Cylinder	1
	58330	(S24000- )	Replacement Kit, Brake Shoe	1
17	09573	(S25583- )	Wheel Assembly, Drive	1
18	09571	(S25583- )	Tire	1
19	10632-18	(S24117- )	Grommet	1
20	76058	(S24117- )	Tube Assembly, Brake Line	1
21	23786	(S24000- )	Pin, Clevis	1
22	28281	(S24000- )	Spring, Tension	1
23	09576	(S24000-S25582)	Replacement Kit, Drive Wheel	1
24	09584	(S25583- )	Spacer, Brake Plate	2
25	09601	(S25583- )	Spacer, Brake	1
26	57096	(S24000-S25582)	Bracket	1
27	57097	(S24000-S25582)	Bracket	1

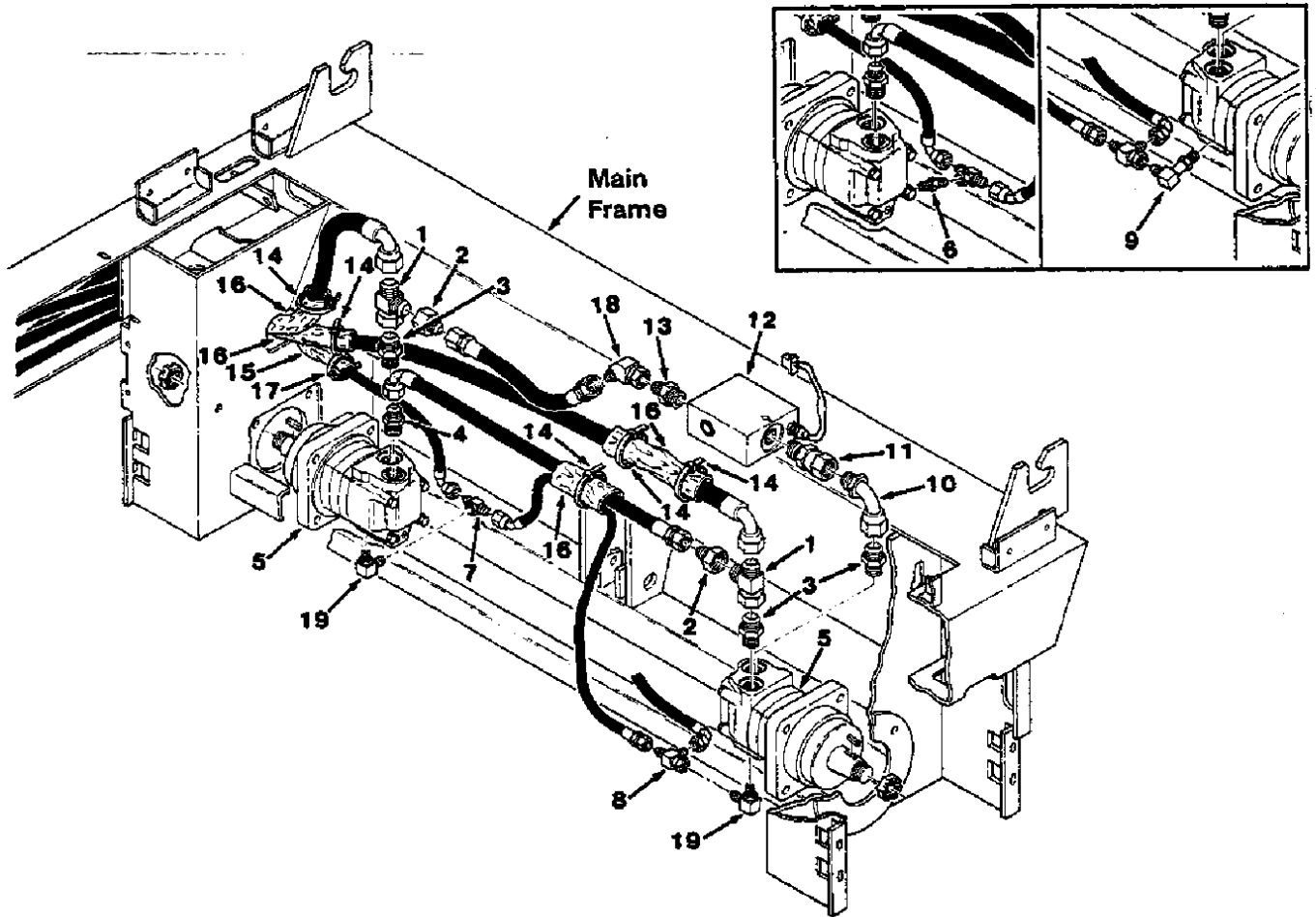


Fig. 12 - Drive Motors Group

02514

Key	Tennant® Part No.	Machine Serial Number	Description	Qty.
1	40514	(S24000- )	Fitting, Tee	2
2	78143	(S24000- )	Fitting, Straight	2
3	06750	(S24000- )	Fitting, Straight	3
4	56692	(S24000- )	Fitting, Straight	1
5	57033	(S24000-S24329)	Motor, Hydraulic (Replaced by 03520)	2
5	03517	(S24330- )	Motor, Hydraulic	2
6	55586	(S24000-S24329)	Fitting, Straight	1
7	57411	(S24000- )	Fitting, Tee	1
8	57988	(S24000- )	Fitting, Tee	1
9	82825	(S24000-S24329)	Fitting, Elbow	1
10	57994	(S24000- )	Fitting, Elbow, Special	1
11	67832	(S24000- )	Fitting, Straight	1
12	31556	(S24000- )	Switch, Flow	1
13	42227	(S24000- )	Fitting, Straight	1
14	44961	(S24000- )	Tie, Cable	7
15	57223	(S24000- )	Sleeve, Hydraulic	1
16	82830	(S24000- )	Sleeve, Hydraulic	4
17	49263	(S24000- )	Tie, Cable	2
18	07797	(S24000- )	Fitting, Elbow, 45°	1
19	77097	(S24330- )	Fitting, Elbow	2

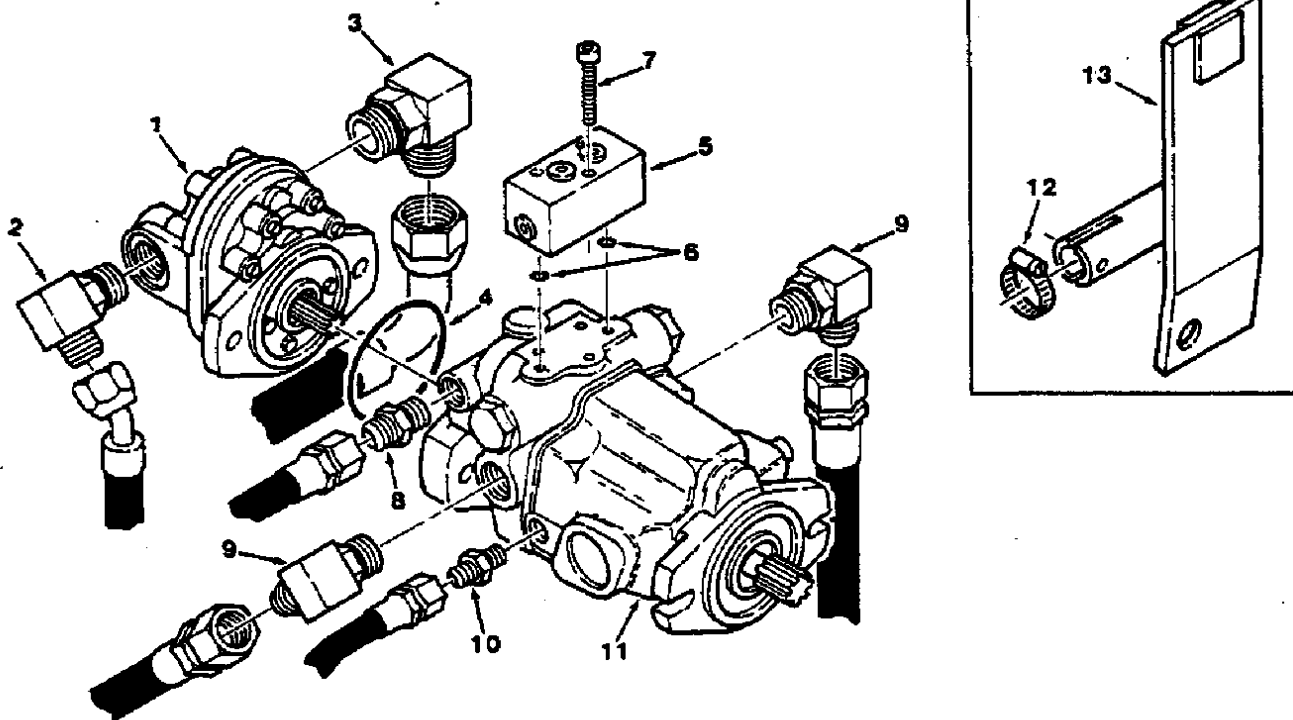


Fig. 13 - Pumps Group

02495

Key	Tennant® Part No.	Machine Serial Number	Description	Qty.
1	57035	(S24000- )	Pump, Gear	1
2	56821	(S24000- )	Fitting, Elbow	1
3	53077	(S24000- )	Fitting, Elbow	1
4	65145-1	(S24000- )	O-Ring	1
5	82767	(S24000- )	Valve, Neutral	1
6	58395	(S24000- )	O-Ring	2
7	82764	(S24000- )	Screw, Socket	3
8	52402	(S24000- )	Fitting, Straight	1
9	46481	(S24000- )	Fitting, Elbow	2
10	55685	(S24000- )	Fitting, Straight	1
11	02634	(S24000- )	Pump, Piston	1
12	11399	(S24000-S24470)	Clamp, Worm Drive	1
13	57110	(S24000-S24470)	Lever, Directional Control	1

**STANDARD MODEL PARTS**

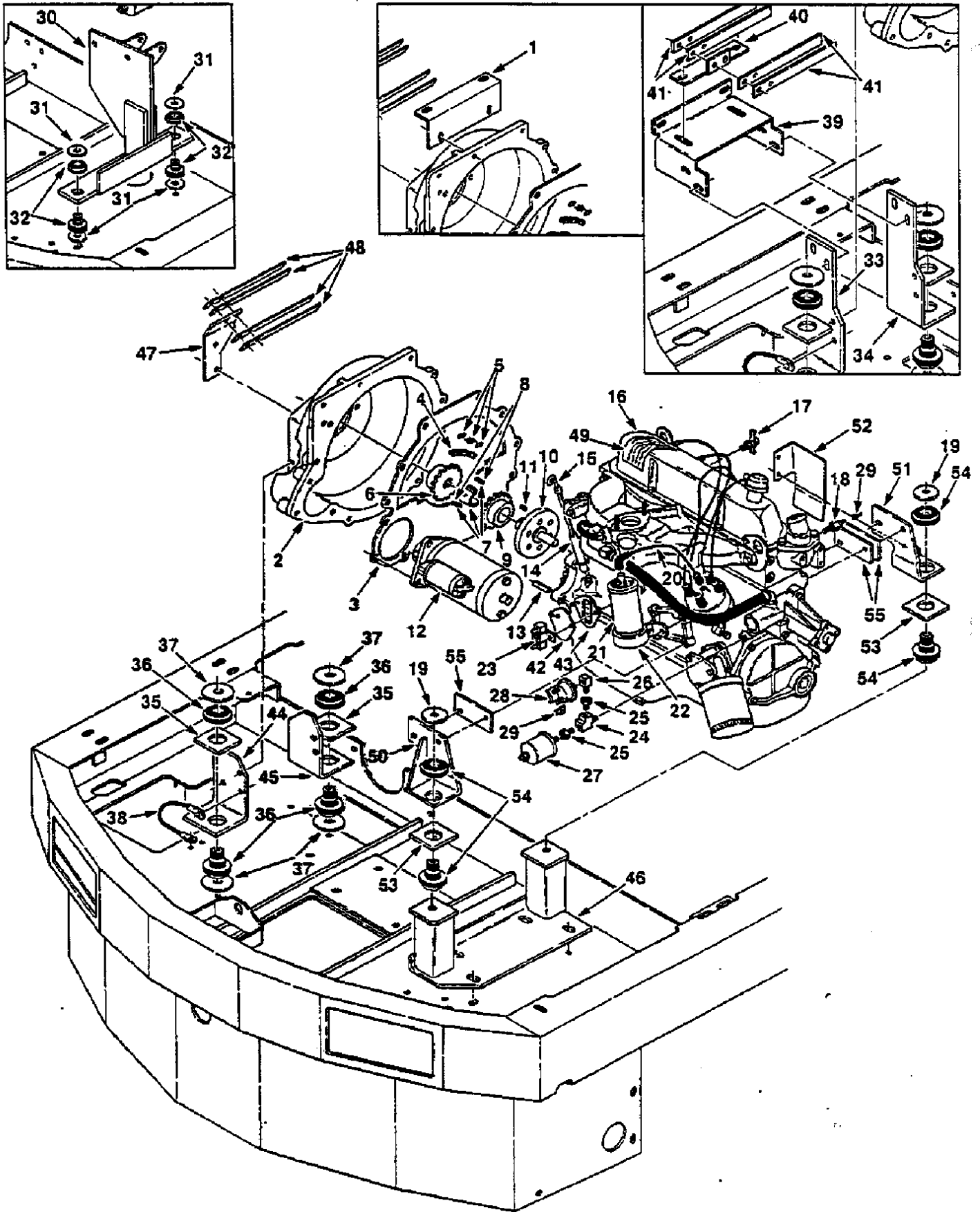


Fig. 14 - Engine Group

Fig. 14 - Engine Group

Key	TENNANT® Part No.	Machine Serial Number	Description	Qty.
1	57109	(S24000-S25202)	Angle, Mount	1
2	57450	(S24000- )	Housing, Flywheel	1
3	54911-5	(S24000- )	Ring, Starter Locating	1
4	33778	(S24000- )	Chain Assembly	1
5	33692	(S24000- )	Link, Chain	1
6	53386	(S24000- )	Coupling, Spline	1
7	15280-1	(S24000- )	Bushing	1
8	39330	(S24000- )	Screw, Set	2
9	53531-2	(S24000- )	Coupling, Chain	1
10	47933	(S24000- )	Adaptor, Pump	1
11	00926	(S24000- )	Key, Square	1
12	57549	(S24000- )	Starter	1
13	54911-16	(S24000- )	Pin, Dowel	2
14	82584	(S24000- )	Tube, Dipstick	1
15	82535	(S24000- )	Indicator, Oil Level	1
16	58087	(S24000- )	Engine	1
17	54911-32	(S24000- )	Cock, Drain	1
18	58592	(S24000- )	Sender, Temperature	1
19	51564	(S24943- )	Washer	2
20	54911-31	(S24000- )	Wire	1
21	54911-11	(S24000- )	Coil Assembly	1
22	54911-30	(S24000- )	Strap, Coil	1
23	54911-15	(S24000- )	Resistor	1
24	24929	(S24000- )	Fitting, Tee	1
25	17414	(S24000- )	Fitting, Straight	2
26	11984	(S24000- )	Fitting, Elbow	1
27	34808	(S24000- )	Sender, Oil Pressure	1
28	51805	(S24000- )	Switch, Oil Pressure	1
29	68106	(S24000- )	Terminal, Tab	4
30	03590	(S24000-S24942)	Service Kit, Front Mount	1
31	57047	(S24000-S24942)	Washer	4
32	57254	(S24000-S24942)	Isolator, Engine Mount	2
33	57107	(S24000-S24470)	Angle, Mount, Right Rear	1
34	57106	(S24000-S24470)	Angle, Mount, Left Rear	1
35	57181	(S24000- )	Spacer	2
36	57255	(S24000- )	Isolator, Engine Mount	2
37	57048	(S24000- )	Washer	4
38	57773	(S24000- )	Wire, Ground	1
39	57108	(S24000-S24470)	Channel, Mount	1
40	57113	(S24000-S24470)	Angle, Centering Spring	1
41	49681	(S24000-S24470)	Plate, Spring	4
42	54911-28	(S24000- )	Cover, Fuel Pump	1
43	02887	(S24000- )	Gasket, Fuel Pump	1
44	03551	(S24471- )	Angle, Engine, R.H.	1
45	03552	(S24471- )	Angle, Engine, L.H.	1
46	03579	(S24943- )	Tower	1
47	82786	(S24471- )	Bracket, Spring	1
48	49681	(S24471- )	Plate, Spring	4
49	54911-7	(S24000- )	Decal, Service Information	1
50	03586	(S24943- )	Bracket, Mount, R.H.	1
51	03585	(S24943- )	Bracket, Mount, L.H.	1
52	03588	(S24943- )	Shield, Heat	1
53	57181	(S24943- )	Spacer	2
54	57255	(S24943- )	Isolator, Engine Mount	2
55	03533	(S24943- )	Spacer	3



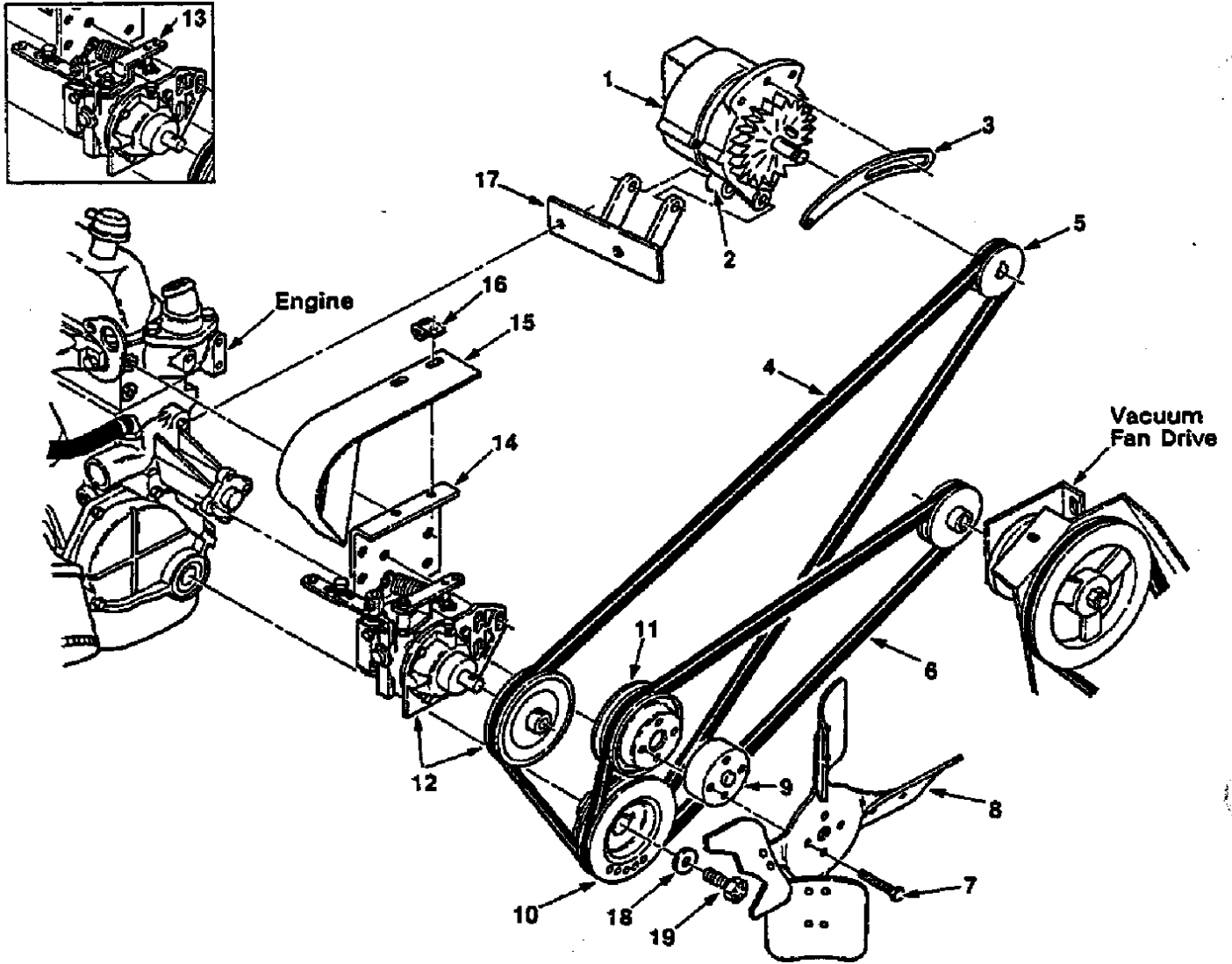


Fig. 15 - Engine Belts Group

02513

Key	TENNANT® Part No.	Machine Serial Number	Description	Qty.
1	58536	(S24000- )	Alternator	1
2	54959	(S24000- )	Spacer	1
3	58850	(S24000- )	Arm, Alternator	1
4	57039	(S24000- )	V-Belt	1
5	54914	(S24000- )	Sheave	1
6	03670	(S24000- )	V-Belt	1
7	39278	(S24000- )	Screw, Hex, M8	4
8	16805	(S24000- )	Fan	1
9	82542	(S24000- )	Spacer, Fan	1
10	54911-9	(S24000- )	Pulley, Crankshaft	1
11	82675	(S24000- )	Pulley, Water Pump	1
12	57397	(S24000- )	Governor	1
13	82264	(S24000-xxxxxx)	Service Kit, Governor Lever	1
14	57286	(S24000- )	Angle, Governor Mount	1
15	57438	(S24000- )	Guard	1
16	26395-1	(S24000- )	Clamp, Cable	1
17	03574	(S24943- )	Mount, Alternator	1
18	57547	(S24000- )	Washer	1
19	57546	(S24000- )	Bolt, Hex Lock	1



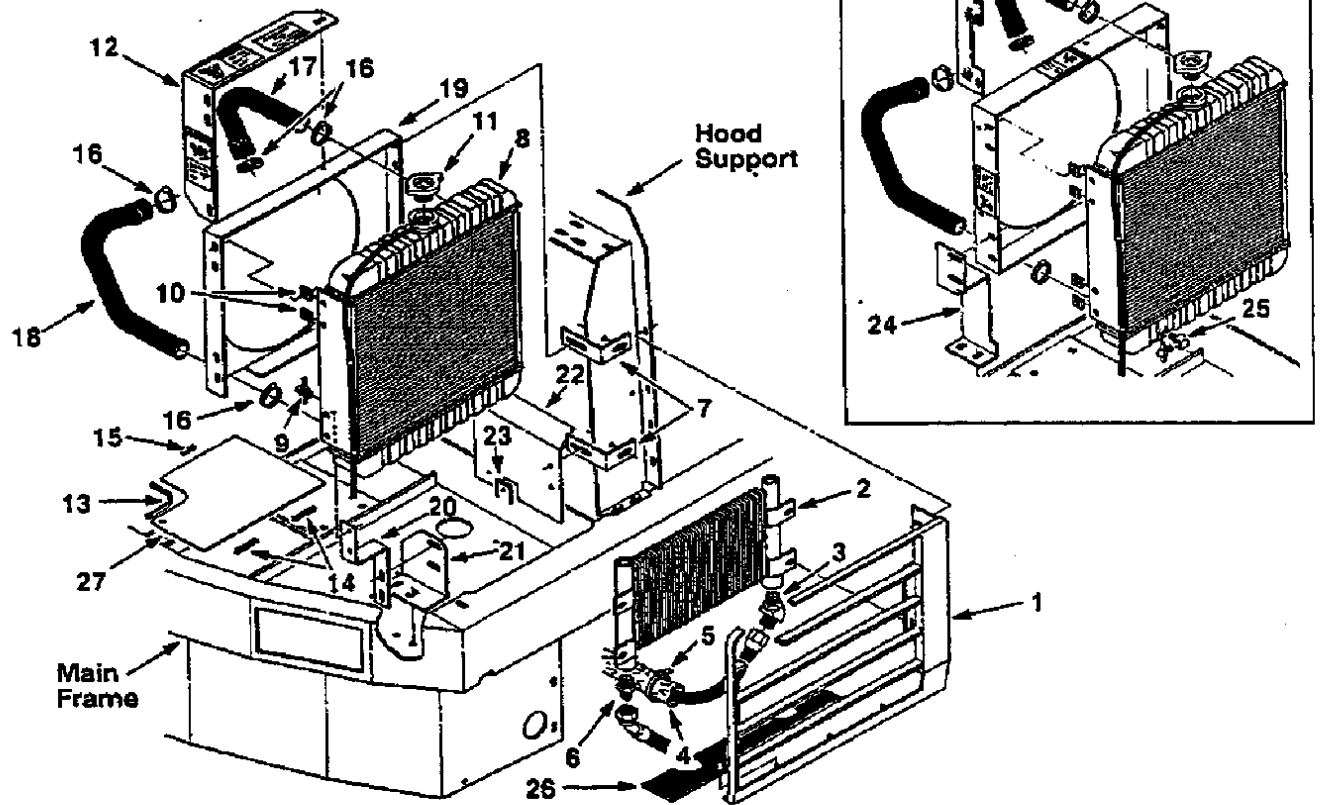


Fig. 16 - Radiator Group

02518

Key	TENNANT® Part No.	Machine Serial Number	Description	Qty.
1	57116	(S24000- )	Grill, Radiator	1
2	82798	(S24000- )	Cooler, Hydraulic Fluid	1
3	16081	(S24000- )	Fitting, Elbow, 45°	1
4	82830	(S24000- )	Sieve, Hydraulic	3
5	44961	(S24000- )	Tie, Cable	2
6	42227	(S24000- )	Fitting, Straight	1
7	57128	(S24000- )	Angle, Radiator Mount	2
8	57403	(S24000- )	Radiator	1
9	15482	(S24000- )	Cock, Drain	1
10	02485	(S24000- )	Nut, Retainer	6
11	51321-3	(S24000- )	Cap, Radiator	1
12	57343	(S24000- )	Shroud and Label Assembly	1
13	59118-4	(S25708- )	Molding, Rigid	1
14	59118-7	(S25708- )	Molding, Rigid	2
15	62170-3	(S25708- )	Molding, Rigid	1
16	11531	(S24000- )	Clamp, Worm Drive	4
17	82588	(S24000- )	Hose, Upper Radiator	1
18	57364	(S24000- )	Hose, Lower Radiator	1
19	57094	(S24000- )	Shroud, Fan	1
20	57456	(S24072- )	Bracket, Shroud	1
21	57455	(S24072- )	Bracket, Radiator Mount	1
22	03746	(S24000- )	Plate	1
23	62170-3	(S24000- )	Molding, Rigid	1
24	57385	(S24000-S24071)	Replacement Kit, Radiator Mount Bracket	1
25	27048	(S24000-S24106)	Fitting, Elbow	1
26	57420	(S24107- )	Strip	1
27	03739	(S25708- )	Plate	1

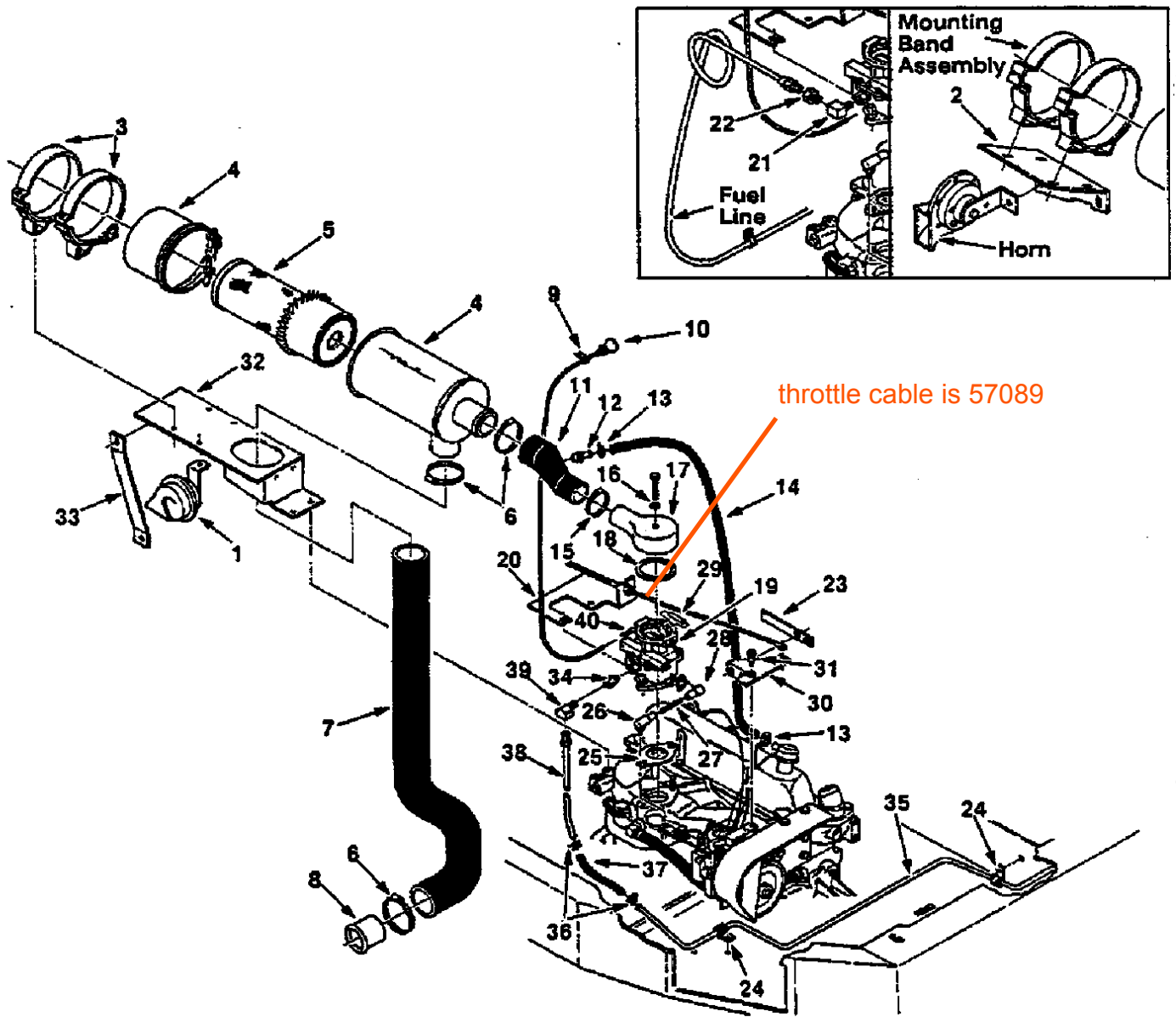


Fig. 17 - Carburetor and Air Cleaner Group

Fig. 17 - Carburetor and Air Cleaner Group

Key	TENNANT® Part No.	Machine Serial Number	Description	Qty.
1	14138A	(S24000- )	Horn	1
2	06842	(S24000-S24900)	Replacement Kit, Mount Bracket	1
3	52450	(S24000- )	Band Assembly, Mounting	2
4	54141-1	(S24000- )	Body, Air Cleaner	1
5	58120	(S24000- )	Element, Air Cleaner	1
6	14432	(S24000- )	Clamp, Worm Drive	3
7	57061	(S24000- )	Tube, Air Intake	1
8	58346	(S24000- )	Tube, Air Intake	1
9	46236	(S24000- )	Clamp, Cable	2
10	17409	(S24000- )	Cable Assembly, Choke	1
11	57258	(S24000- )	Hose, Air Cleaner	1
12	82533	(S24000- )	Spud	1
13	54333	(S24000- )	Clamp, Worm Drive	2
14	47826-1	(S24000- )	Hose, Rubber	1
15	22297	(S24000- )	Clamp, Worm Drive	1
16	24924	(S24000- )	Washer, Nylon	1
17	50308	(S24000- )	Elbow, Carburetor	1
18	16738	(S24000- )	Gasket, Carburetor	1
19	82674	(S24000- )	Carburetor	1
20	57230	(S24000- )	Bracket, Throttle Cable	1
21	11984	(S24000-S24668)	Fitting, Elbow	1
22	40585	(S24000-S24668)	Fitting, Straight	1
23	57392	(S24000- )	Spring, Flat	1
24	76736	(S24669- )	Clamp, Cable	2
25	54912-8	(S24000- )	Gasket, Carburetor	1
26	14601	(S24000- )	Ball Joint	1
27	42196	(S24000- )	Stud	1
28	50332-1	(S24000- )	Socket, Ball Joint	1
29	82503	(S24000- )	Sleeve	1
30	57394	(S24000- )	Arm, Governor	1
31	40823	(S24000- )	Screw, Shoulder	1
32	06838	(S24901- )	Bracket, Air Cleaner	1
33	06841	(S24901-S25202)	Strap, Support	1
33	09563	(S25203- )	Strap, Support	1
34	69736	(S24669- )	Fitting, Straight	1
35	03491	(S24669- )	Line Assembly, Fuel	1
36	43844	(S24669- )	Clamp, Worm Drive	2
37	03505	(S24669- )	Hose, Fuel Line	1
38	03568	(S24669- )	Fuel Line	1
39	15555-1	(S24669- )	Fitting, Elbow	1
40	58846	(S24000- )	Spring, Compression	1

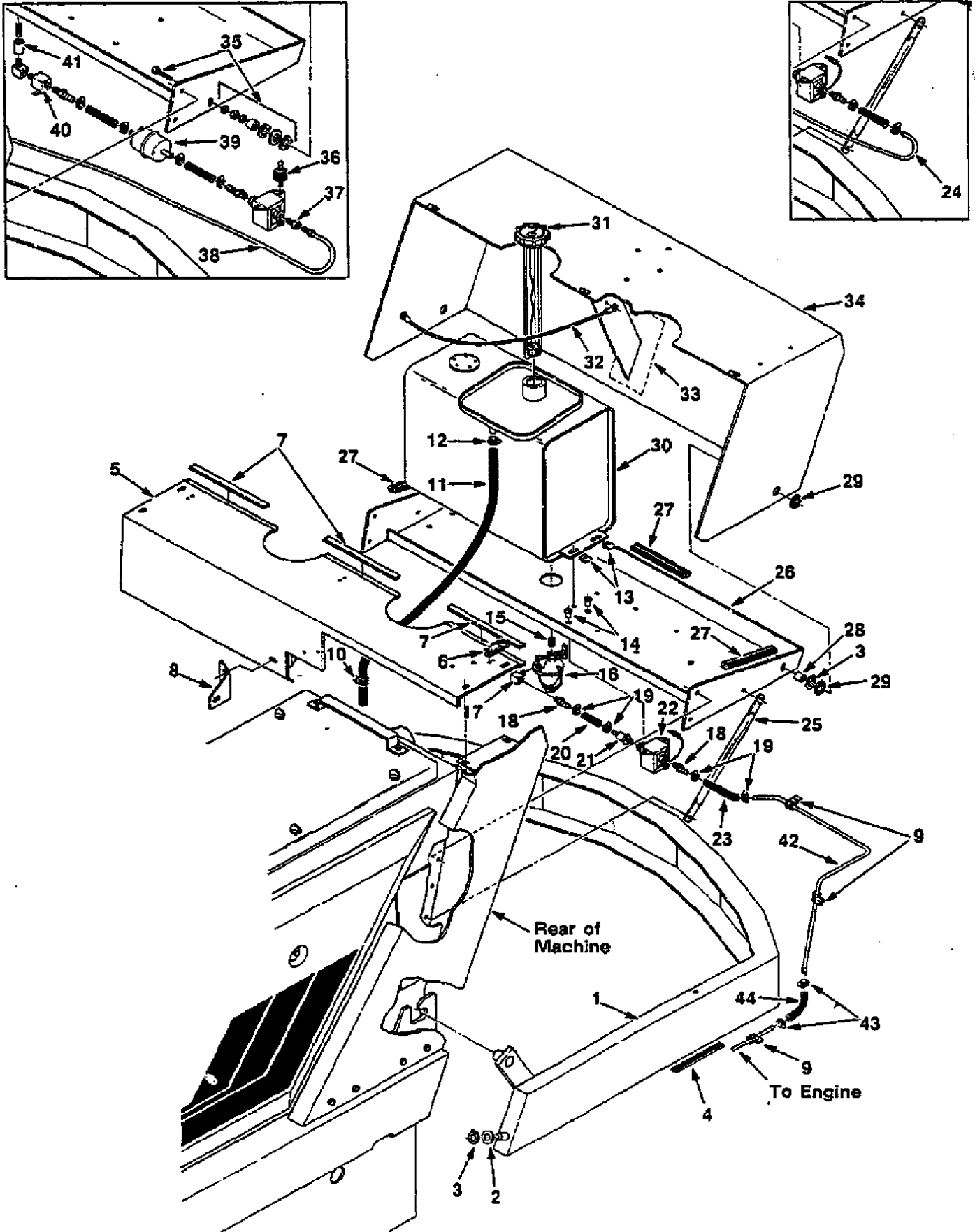
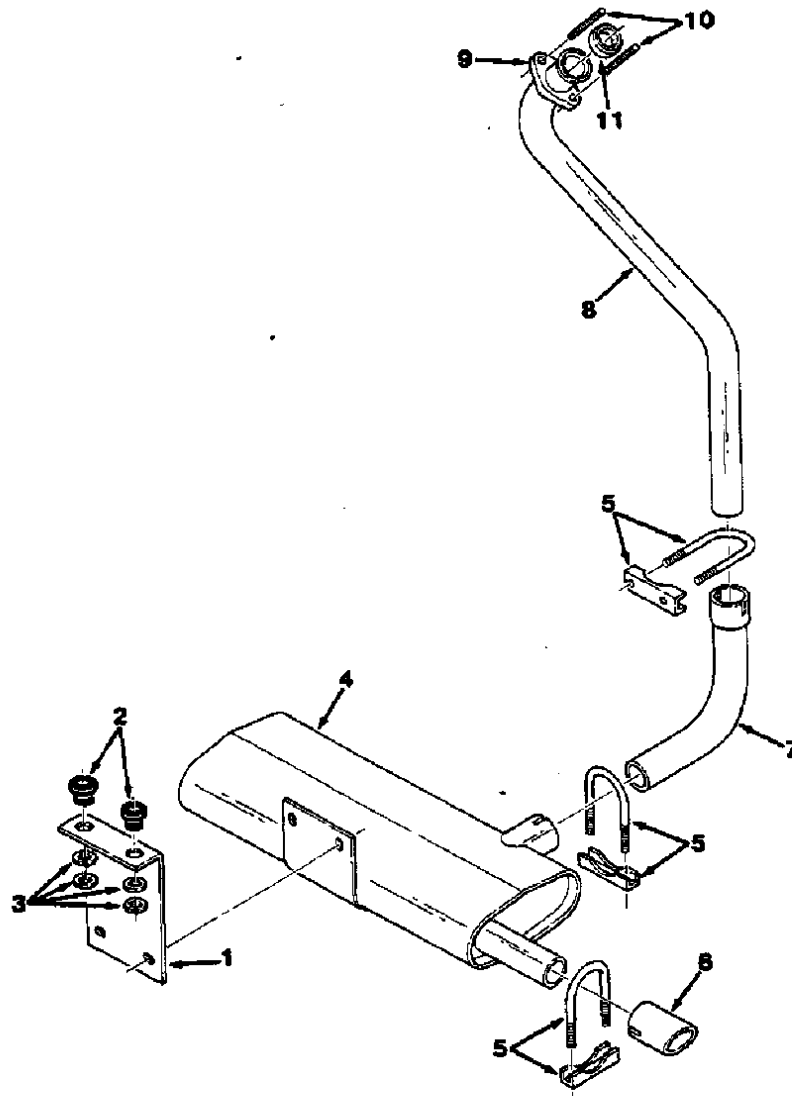


Fig. 18 - Fuel Tank and Shrouds Group

Fig. 18 - Fuel Tank and Shrouds Group

Key	TENNANT® Part No.	Machine Serial Number	Description	Qty.
1	64476	(S24000- )	Bumper, Rear	1
2	64489	(S24000- )	Washer	10
3	23524-4	(S24000- )	Ring, Retaining	4
4	56779	(S24000- )	Strip, Rubber	2
5	57103	(S24000- )	Deck, Rear	1
6	37083-1	(S24000- )	Catch	3
7	58916	(S24000- )	Seal	3
8	57430	(S24000- )	Bracket, Rear Deck Brace	1
9	76736	(S24669- )	Clamp, Cable	3
10	49287	(S24000- )	Clamp, Cable	1
11	16387	(S24000- )	Hose, Fuel Line	1
12	54333	(S24000- )	Clamp, Worm Drive	1
13	02485	(S24000- )	Nut, Retainer	4
14	41845	( xxxxxx- )	Nut, Well	2
15	17413	(S24000- )	Fitting, Nipple	1
16	04601	( xxxxxx- )	Strainer, Fuel	1
17	11984	(S24000- )	Fitting, Elbow	1
18	82544	(S24000- )	Fitting, Straight, Barbed	2
19	43844	(S24000- )	Clamp, Worm Drive	4
20	57404	( xxxxxx- )	Hose, Fuel Line	1
21	57449	( xxxxxx- )	Filter, Fuel	1
22	54230	(S24000- )	Pump, Fuel	1
23	82526	(S24000- )	Hose, Fuel Line	1
24	57459	( xxxxxx-S24668)	Line Assembly, Gas	1
25	57458	(S24000- )	Bar, Support	2
26	57100	(S24000- )	Tray, Rear	1
27	57818	(S24000- )	Seal	3
28	06225	(S24129- )	Sleeve	2
29	76979	(S24129- )	Bearing, Thrust	4
30	82728	(S24000- )	Tank, Fuel	1
31	82730	(S24000- )	Cap. Gas, With Gauge	1
32	36192	(S24000- )	Lanyard Assembly	1
33	57461	(S24000- )	Tape, Protective	1
34	57149	(S24000- )	Shroud, Rear	1
35	03475	(S24000-S24128)	Pivot Kit, Rear Cover	1
36	82661	(S24000-xxxxxx )	Isolator, Vibration	1
37	40585	(S24000-xxxxxx )	Fitting, Straight	1
38	69598	(S24000-xxxxxx )	Line Assembly, Gas	1
39	82525	(S24000-xxxxxx )	Filter, Fuel	1
40	08876	(S24000-S25376)	Replacement Kit, Cock	1
41	11848	(S24000-xxxxxx )	Fitting, Coupling	1
42	03536	(S24669- )	Line, Fuel	1
43	43844	(S24669- )	Clamp, Worm Drive	2
44	82526	(S24669- )	Hose, Fuel Line	1



**Fig. 19 - Muffer Group**

01160

Key	Tennant® Part No.	Machine Serial Number	Description	Qty.
1	16314	(S24000- )	Bracket, Muffer	1
2	54274	(S24000- )	Isolator, Vibration	2
3	09832	(S24000- )	Washer	4
4	56465	(S24000- )	Muffer	1
5	24012	(S24000- )	Clamp, Muffer	3
6	57441	(S24000- )	Pipe, Tail	1
7	16341	(S24000- )	Pipe, Exhaust	1
8	57090	(S24000- )	Tube, Exhaust	1
9	32839	(S24000- )	Flange, Exhaust	1
10	32841	(S24000- )	Stud	2
11	32840	(S24000- )	Gasket, Exhaust	1

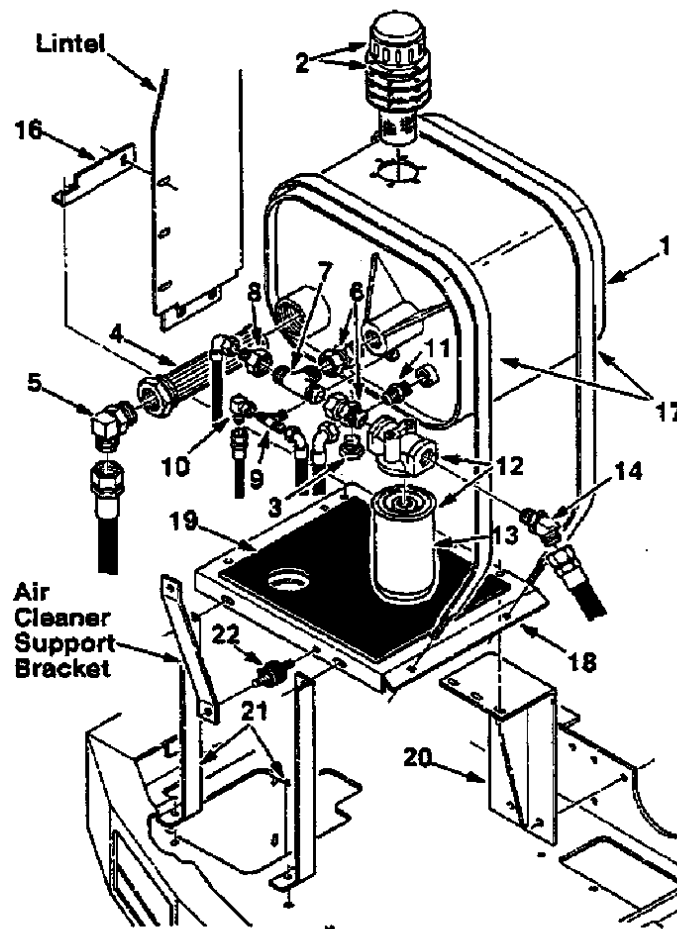
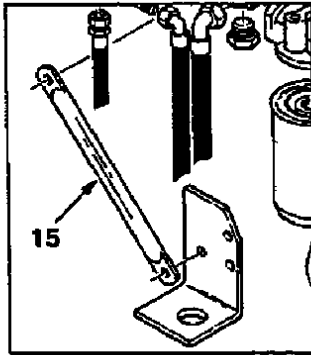


Fig. 20 - Hydraulic Reservoir Group

02496

Key	Tennant® Part No.	Machine Serial Number	Description	Qty.
1	09497	(S24000-S24900)	Replacement Kit, Hydraulic Reservoir	1
1	09498	(S24901-S25202)	Replacement Kit, Hydraulic Reservoir	1
1	09500	(S25203- )	Reservoir Assembly, Hydraulic	1
2	82780	(S24000- )	Breather, Filler	1
3	40362	(S24000- )	Fitting, Plug	1
4	82784	(S24000- )	Strainer, Suction	1
5	53077	(S24000- )	Fitting, Elbow	1
6	67832	(S24000- )	Fitting, Straight	2
7	06747	(S24000- )	Fitting, Tee	1
8	34375	(S24000- )	Fitting, Straight	1
9	31599	(S24000- )	Fitting, Tee	1
10	39210	(S24000- )	Fitting, Elbow	1
11	44869	(S24000- )	Fitting, Straight	1
12	55619	(S24000- )	Filter Assembly, Hydraulic	1
13	55740	(S24000- )	Element, Hydraulic Filte.	1
14	16081	(S24000- )	Fitting, Elbow, 45°	1
15	03554	(S24471-S25202)	Bar, Support	1
16	09560	(S25203- )	Angle, Support	1
17	09526	(S25203- )	Strap	2
18	09501	(S25203- )	Plate, Mounting	1
19	09523	(S25203- )	Pad, Rubber	1
20	09502	(S25203- )	Bracket, Support	1
21	09559	(S25203- )	Angle, Support	2
22	51322	(S25203- )	Isolator, Vibration	1

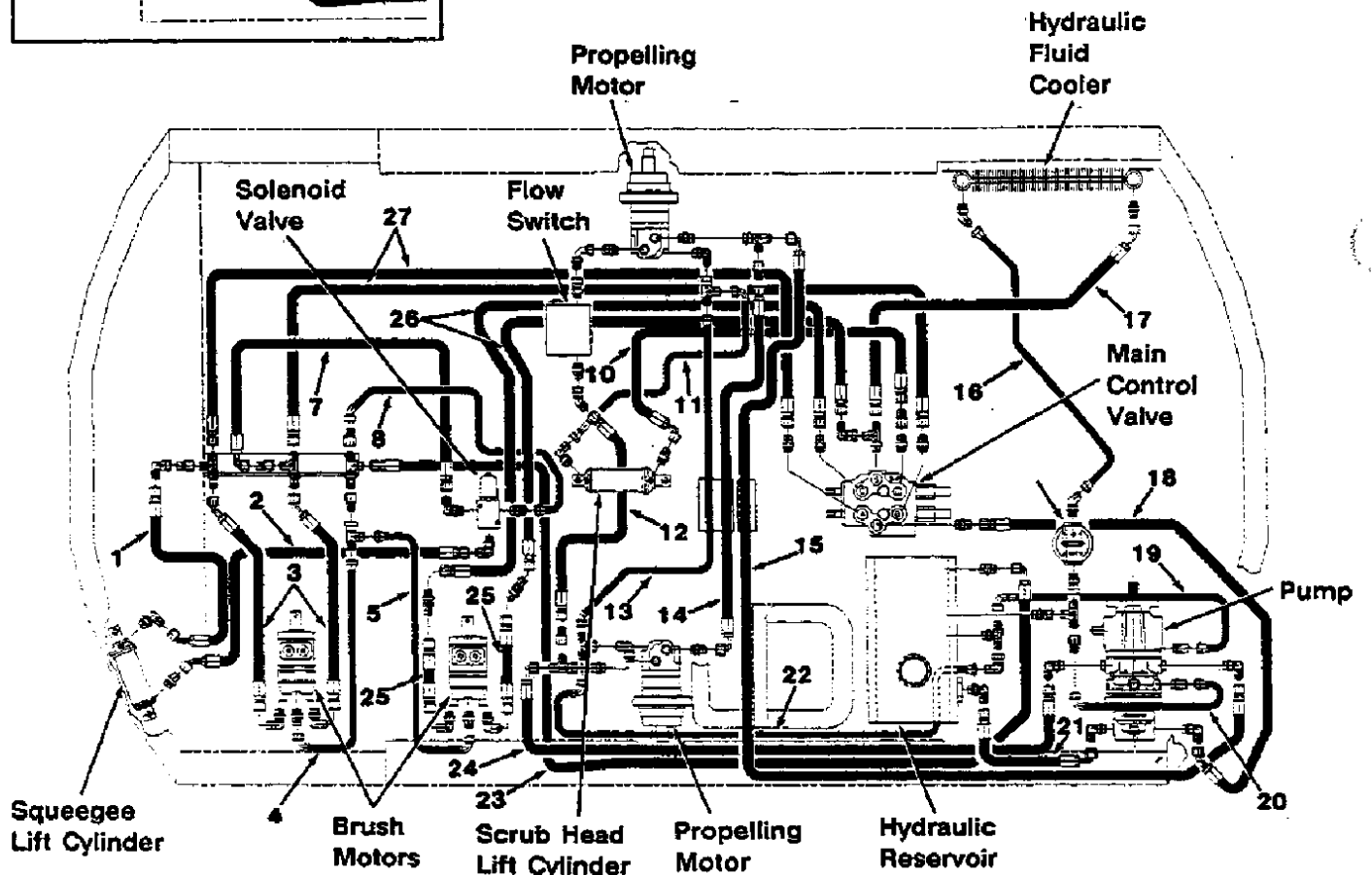
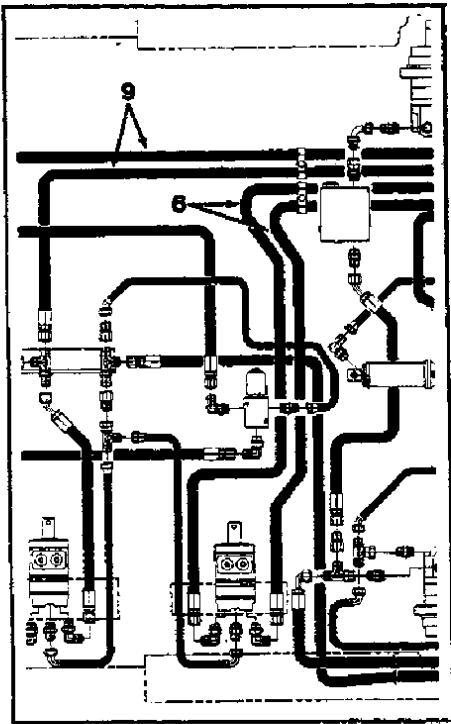


Fig. 21 - Hydraulic Hoses Group



Fig. 21 - Hydraulic Hoses Group

Key	Tennant® Part No.	Machine Serial Number	Description	Qty.
1	57173	(S24000- )	Hose, Hydraulic	1
2	57174	(S24000- )	Hose, Hydraulic	1
3	57153	(S24000- )	Hose, Hydraulic	2
4	57292	(S24000- )	Hose, Hydraulic	1
5	57191	(S24000- )	Hose, Hydraulic	1
6	57160	(S24000-S24421)	Hose, Hydraulic	2
7	57172	(S24000- )	Hose, Hydraulic	1
8	57410	(S24000- )	Hose, Hydraulic	1
9	57169	(S24000-S24421)	Hose, Hydraulic	2
10	57581	(S24000- )	Hose, Hydraulic	1
11	31601	(S24000- )	Hose, Hydraulic	1
12	57195	(S24000- )	Hose, Hydraulic	1
13	57199	(S24000- )	Hose, Hydraulic	1
14	57196	(S24000- )	Hose, Hydraulic	1
15	57476	(S24000- )	Hose, Hydraulic	1
16	57485	(S24000- )	Hose, Hydraulic	1
17	57219	(S24000- )	Hose, Hydraulic	1
18	33799	(S24000- )	Hose, Hydraulic	1
19	82805	(S24000- )	Hose, Hydraulic	1
20	57192	(S24000- )	Hose, Hydraulic	1
21	34353	(S24000- )	Hose, Hydraulic	1
22	57197	(S24000- )	Hose, Hydraulic	1
23	57190	(S24000- )	Hose, Hydraulic	1
24	57473	(S24000- )	Hose, Hydraulic	1
25	55668	(S24422- )	Hose, Hydraulic	2
26	55692	(S24422- )	Hose, Hydraulic	2
27	57160	(S24422- )	Hose, Hydraulic	2

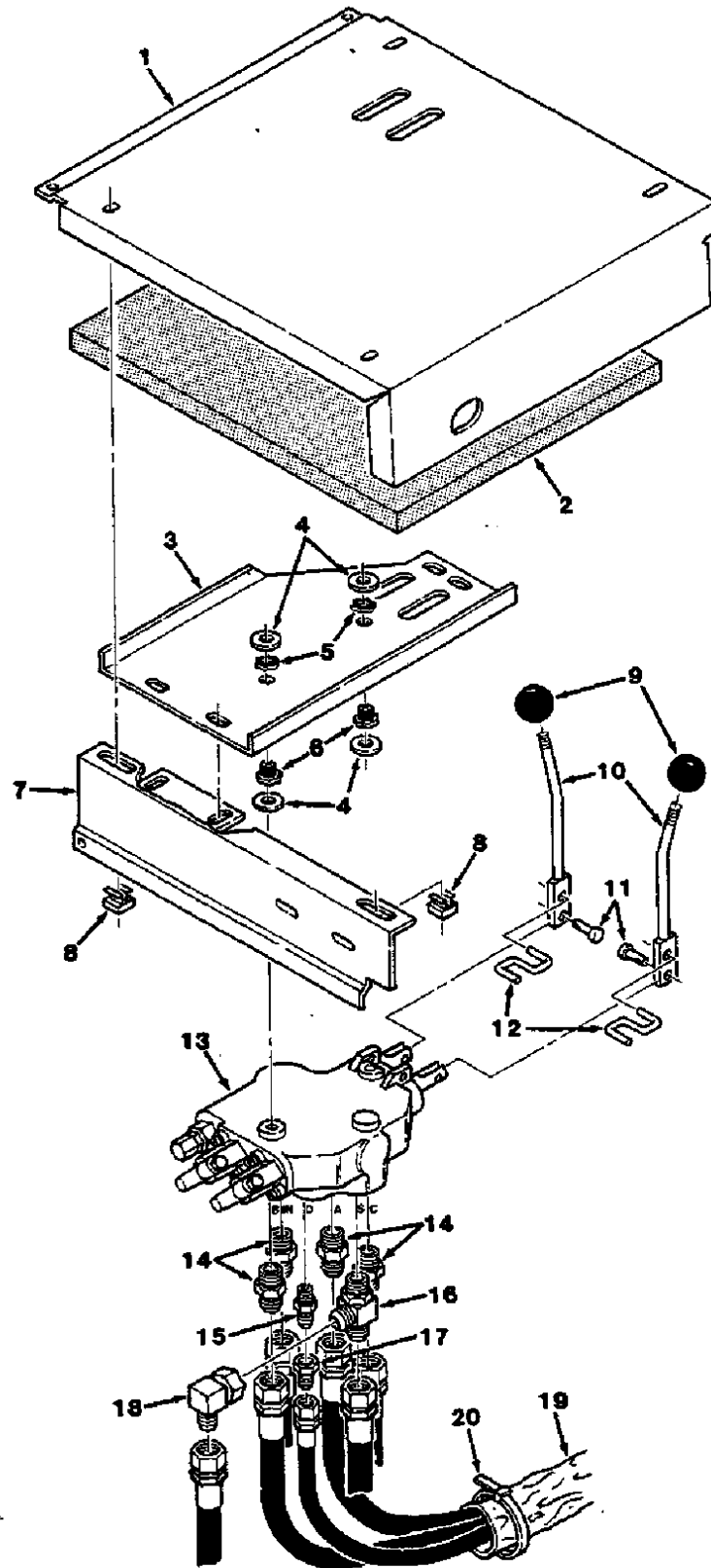


Fig. 22 - Main Control Valve Group

Fig. 22 - Main Control Valve Group

Key	Tennant® Part No.	Machine Serial Number	Description	Qty.
1	57126	(S24000- )	Panel, Valve	1
2	69641	(S24000- )	Insulation, Foam	1
3	57125	(S24000- )	Channel, Valve Mount	1
4	29570	(S24000- )	Washer	4
5	54527	(S24000- )	Ring, Rubber	2
6	54528	(S24000- )	Bushing, Rubber	2
7	64929	(S24000- )	Bracket	1
8	29124	(S24000- )	Nut, Retainer	2
9	26565	(S24000- )	Knob	2
10	57271	(S24000- )	Lever, Control	2
11	23786	(S24000- )	Pin, Clevis	2
12	57127	(S24000- )	Link, 'S' Hook	2
13	57034	(S24000- )	Valve, Hydraulic Control	1
14	44869	(S24000- )	Fitting, Straight	4
15	55685	(S24000- )	Fitting, Straight	1
16	40755	(S24000- )	Fitting, Tee	1
17	16455	(S24000- )	Fitting, Restrictor	1
18	17980	(S24000- )	Fitting, Elbow	1
19	57224	(S24000- )	Sleeve, Hydraulic	2
20	44961	(S24000- )	Tie, Cable	2

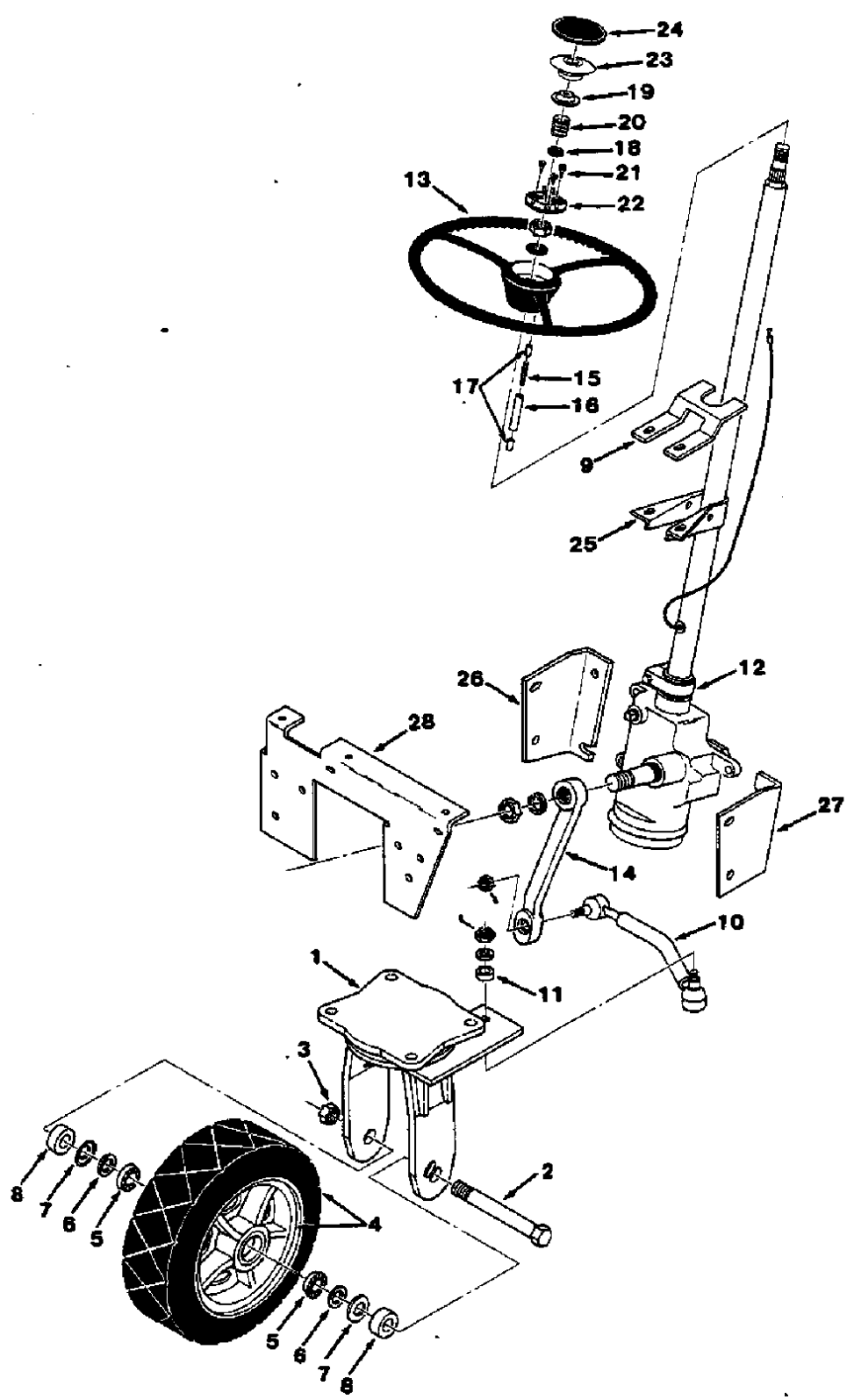
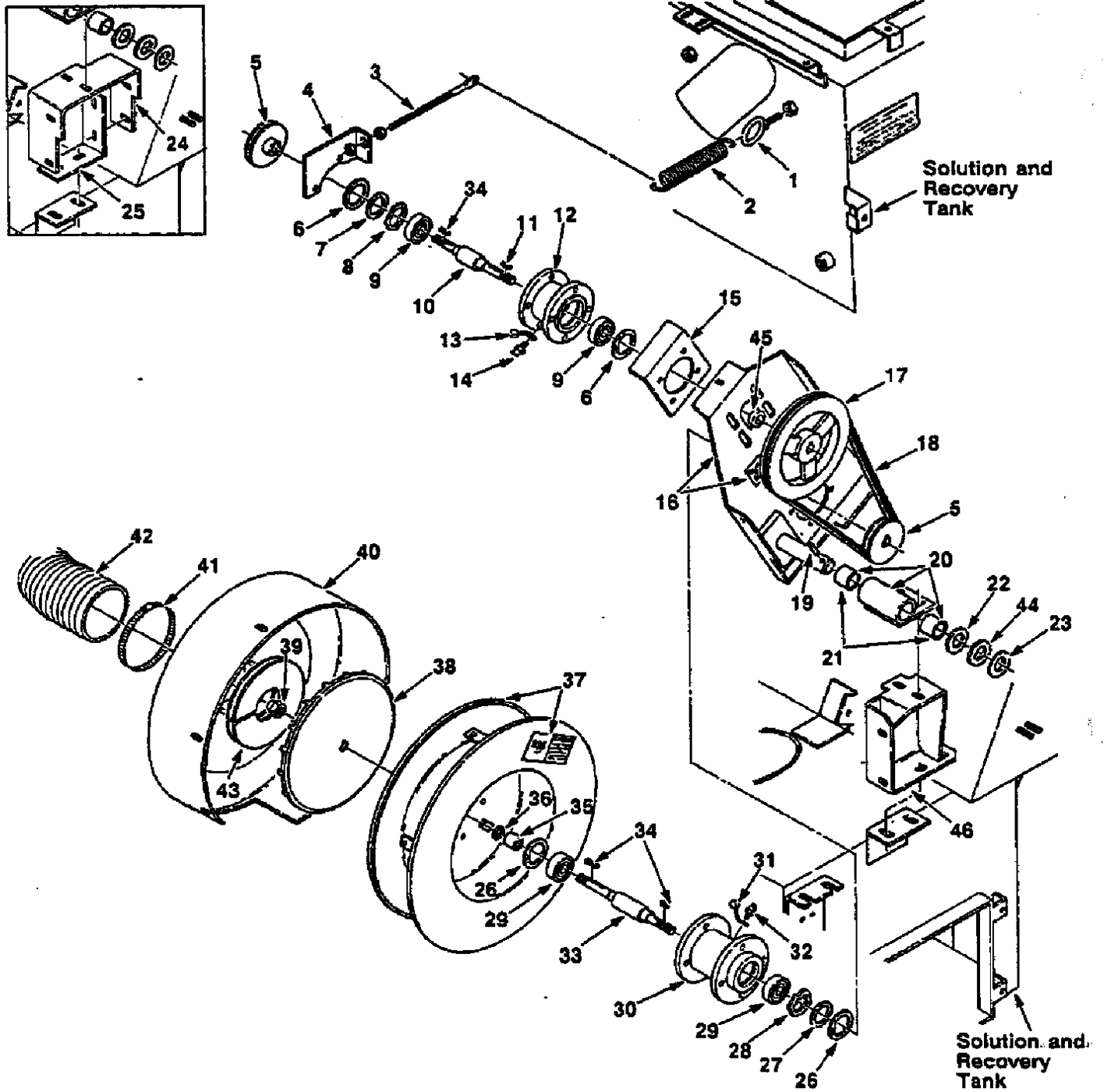


Fig. 23 - Steering and Front Caster Assembly

Fig. 23 - Steering and Front Caster Assembly

Key	Tennant® Part No.	Machine Serial Number	Description	Qty.
	57314	(S24000- )	Caster Assembly, Steering	1
1	57092	(S24000- )	Caster, Steering	1
2	39900	(S24000- )	Screw, Hex	1
3	32987	(S24000- )	Nut, Nylon	1
4	56267	(S24000- )	Tire and Wheel Assembly	1
	56266	(S24000- )	Tire	1
5	56851-1	(S24000- )	Bearing, Roller	2
6	56851-3	(S24000- )	Washer	2
7	56851-2	(S24000- )	Cover, Dust	2
8	56852	(S24000- )	Sleeve	2
9	69752	(S24000- )	Bracket, Stiffener	1
10	64297	(S24000- )	Link, Steering	1
11	56719	(S24000- )	Sleeve	1
	57168	(S24000- )	Steering Column Assembly	1
12	57166	(S24000- )	Steering Gear Assembly	1
13	47008	(S24000- )	Wheel, Steering	1
14	47009	(S24000- )	Arm, Pitman	1
	47011	(S24000- )	Horn Brush Assembly	1
15	46313	(S24000- )	Spring	1
16	46312	(S24000- )	Tube, Acrylic	1
17	46311	(S24000- )	Brush, Horn	2
	47010	(S24000- )	Horn Button Kit	1
18	47010-1	(S24000- )	Cap, Contact	1
19	47010-2	(S24000- )	Cup, Contact	1
20	47010-3	(S24000- )	Spring, Horn Button	1
21	47010-4	(S24000- )	Screw, Wood	3
22	47010-5	(S24000- )	Base Plate Assembly	1
23	47010-6	(S24000- )	Horn Button	1
24	47010-7	(S24000- )	Cover, Horn Button	1
25	23315-2	(S24000- )	Support, Steering Column	1
26	64358	(S24000- )	Bracket, Steering Gear, R.H.	1
27	64359	(S24000- )	Bracket, Steering Gear, L.H.	1
28	64777-1	(S24000- )	Bracket, Steering	1



**Fig. 24 - Vacuum Fan Assembly**

Fig. 24 - Vacuum Fan Assembly

Key	TENNANT® Part No.	Machine Serial Number	Description	Qty.
1	42173-1	(S24000- )	Eyebolt	1
2	33523	(S24000- )	Spring, Tension	1
3	42331-1	(S24000- )	Eyebolt	1
4	57416	(S24000- )	Bracket	1
5	76882	(S24000- )	Sheave, Fan	2
6	10464	(S24000- )	Ring, Retaining	2
7	75454	(S24000- )	Shim	1
8	42809	(S24000- )	Washer, Wavy	1
9	40496	(S24000- )	Bearing, Ball	2
10	03682	(S24000-S24699)	Shaft Assembly, Jack	1
10	03783	(S24700- )	Shaft, Jack	1
11	00954	(S24000- )	Key, Square	1
12	75452	(S24000- )	Housing, Bearing	1
13	40390	(S24000- )	Cover, Grease	1
14	11716	(S24000- )	Fitting, Grease	1
15	57268	(S24000- )	Angle, Mount	1
16	57402	(S24000- )	Bracket and Decal Assembly	1
17	57269	(S24000- )	Sheave	1
18	57363	(S24000- )	V-Belt	1
19	01866	(S24000- )	Pin, Roll	1
20	57396	(S24000- )	Pivot Bracket and Bearing Assembly	1
21	57291	(S24000- )	Sleeve, Bearing	2
22	32598	(S24000- )	Washer	1
23	32599	(S24000- )	Washer	1
24	57265	(S24000-S24830)	Bracket, Mount	1
25	57359	(S24000-S24830)	Angle, Mount	1
	57400	(S24000- )	Vacuum Fan Assembly	1
26	10464	(S24000- )	Ring, Retaining	2
27	75454	(S24000- )	Shim	1
28	42809	(S24000- )	Washer, Wavy	1
29	40496	(S24000- )	Bearing, Ball	2
30	16400	(S24000- )	Housing, Bearing	1
31	40390	(S24000- )	Cover, Grease	1
32	47801	(S24000- )	Fitting, Grease	1
33	03839	(S24000- )	Shaft	1
34	00966	(S24000- )	Key, Square	3
35	75461	(S24000- )	Sleeve	1
36	75456	(S24000- )	Shim, 0.003" (0.08 mm)	1
36	75456-1	(S24000- )	Shim, 0.005" (0.13 mm)	1
36	75456-2	(S24000- )	Shim, 0.01" (0.25 mm)	1
36	75456-3	(S24000- )	Shim, 0.02" (0.5 mm)	1
36	75456-4	(S24000- )	Shim, 0.06" (1.5 mm)	1
37	57401	(S24000- )	Housing and Decal Assembly	1
38	03922	(S24000- )	Impeller	1
39	41130	(S24000- )	Nut, Low Crown	1
40	57189	(S24000- )	Housing, Fan	1
41	23498	(S24000- )	Clamp, Worm Drive	2
42	57347	(S24000- )	Duct, Flexible	1
43	58114	(S24000- )	Repair Kit, Fan Reassembly	1
44	86086	(S24000- )	Washer, Wave Spring	2
45	03532	(S24700- )	Spacer	1
46	03535	(S24831- )	Bracket, Vacuum Fan	1

# STANDARD MODEL PARTS

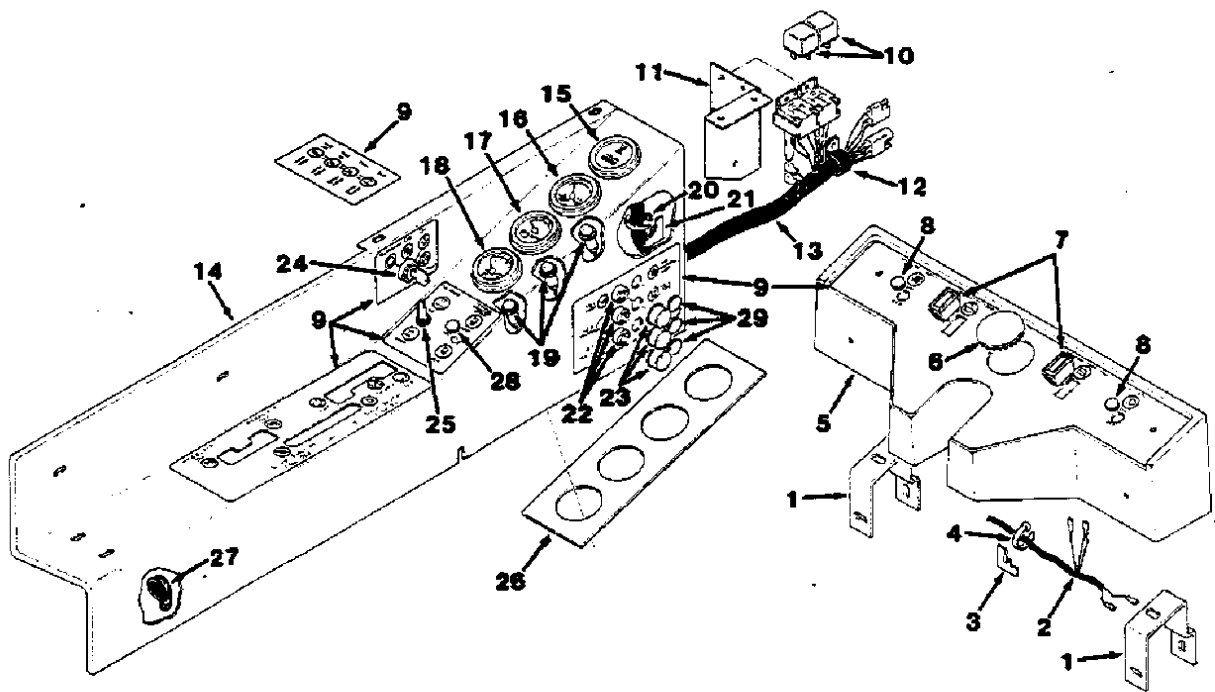


Fig. 25 - Instrument Panel Assembly

02517

Key	Tennant® Part No.	Machine Serial Number	Description	Qty.
1	69214	(S24000- )	Bracket, U	2
2	57147	(S24000- )	Panel Assembly, Front Instrument	1
3	57136	(S24000- )	Wire Harness, Front Panel	1
4	55248	(S24000- )	Mount, Cable Tie	2
	49266	(S24000- )	Tie, Cable	2
5	57129	(S24000- )	Panel, Front Instrument	1
6	82747	(S24000- )	Plugbutton	1
7	64141	(S24000- )	Light Assembly, Panel	2
8	56992	(S24000- )	Plugbutton	2
9	57131	(S24000- )	Label Kit, Instruments	1
10	57804	(S24000- )	Relay, Electrical	2
11	57134	(S24000- )	Plate, Harness Support	1
12	49287	(S24000- )	Clamp, Cable	1
	57148	(S24000- )	Panel Assembly, Side Instrument	1
13	57137	(S24000- )	Wire Harness, Main	1
14	57130	(S24000- )	Panel, Side Instrument	1
15	34810	(S24000- )	Meter, Hour	1
16	34811	(S24000- )	Gauge, Oil Pressure	1
17	55557	(S24000- )	Gauge, Voltage	1
18	58591	(S24000- )	Gauge, Water Temperature	1
19	55271	(S24000- )	Light Assembly	3
20	49266	(S24000- )	Tie, Cable	4
21	55248	(S24000- )	Mount, Cable Tie	4
22	57164	(S24000- )	Breaker, Circuit	3
23	57751	(S24000- )	Boot, Circuit Breaker	3
24	55258	(S24000- )	Switch, Ignition	1
	62530-1	(S24000- )	Key Set, Ignition	1
25	76306	(S24000- )	Switch, Toggle	1
26	57454	(S24000- )	Plate, Gauge	1
27	26395-1	(S24000- )	Clamp, Cable	1
28	56992	(S24000- )	Plugbutton	1
29	57167	(S24000- )	Plugbutton	3



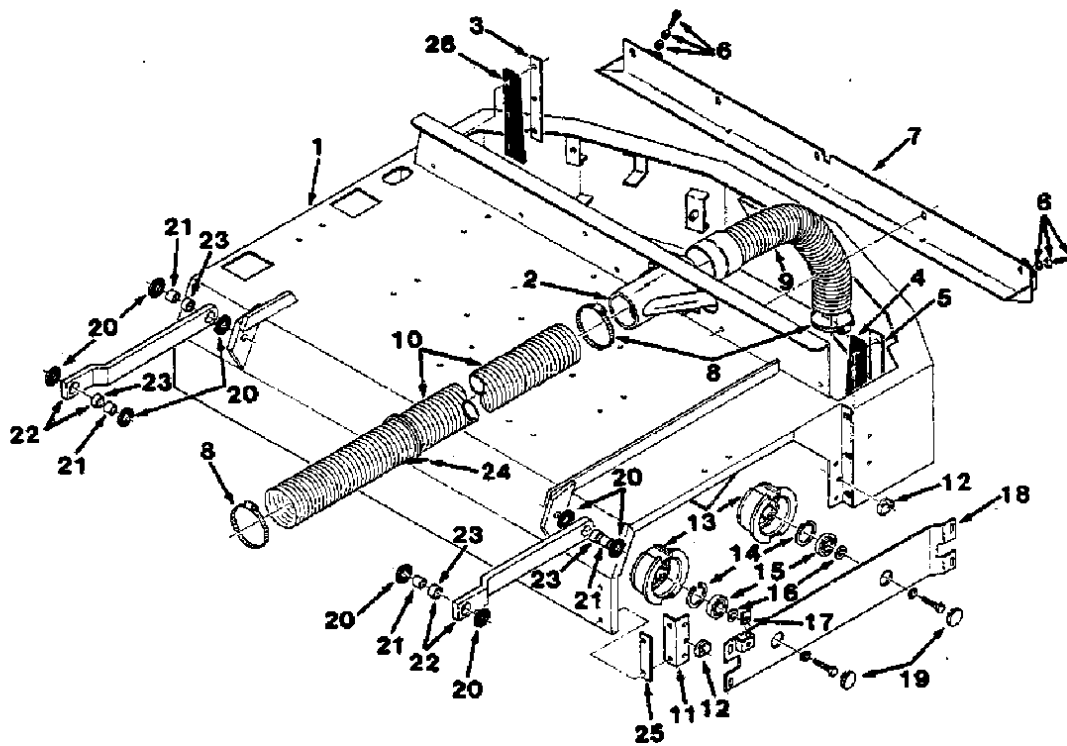


Fig. 26 - Scrub Head Frame Group

00457

Key	TENNANT® Part No.	Machine Serial Number	Description	Qty.
1	57253	(S24000- )	Frame, Scrubber Head	1
2	03602	(S25272- )	Tube	1
3	56232	(S24000- )	Strip, R.H.	1
4	56395	(S24000- )	Skirt, L.H.	1
5	56861	(S24000- )	Strip, L.H.	1
6	75128	(S24000- )	Spindle, Adjustment	2
7	64868	(S24000- )	Deflector, Water	1
8	43555	(S24000- )	Clamp, Worm Drive	3
9	64320	(S24000- )	Hose and Cuff Assembly	1
10	64317	(S24000- )	Hose, Vinyl	1
11	64486-1	(S24000- )	Angle, Idler Support	1
12	64487	(S24000- )	Cam, Brush Adjustment	2
	64609	(S24000- )	Support Assembly, Idler	1
13	07037	(S24000- )	Plug, Brush	2
14	10464	(S24000- )	Ring, Retaining	2
15	46390	(S24000- )	Bearing, Ball	2
16	07026	(S24000- )	Spacer	2
17	28165	(S24000- )	Fastener	1
18	64483	(S24000- )	Support, Idler	1
19	47178-13	(S24000- )	Plugbutton	2
20	76979	(S24000- )	Bearing, Thrust	8
21	57070	(S24000- )	Sleeve, Trailing Arm	4
22	57178	(S24000- )	Arm Assembly, Head Guide	2
23	64377	(S24000- )	Bearing, Journal	2
24	44961	(S24000- )	Tie, Cable	1
25	56245	(S24000- )	Shim	2
26	56678	(S24000- )	Skirt, R.H.	1

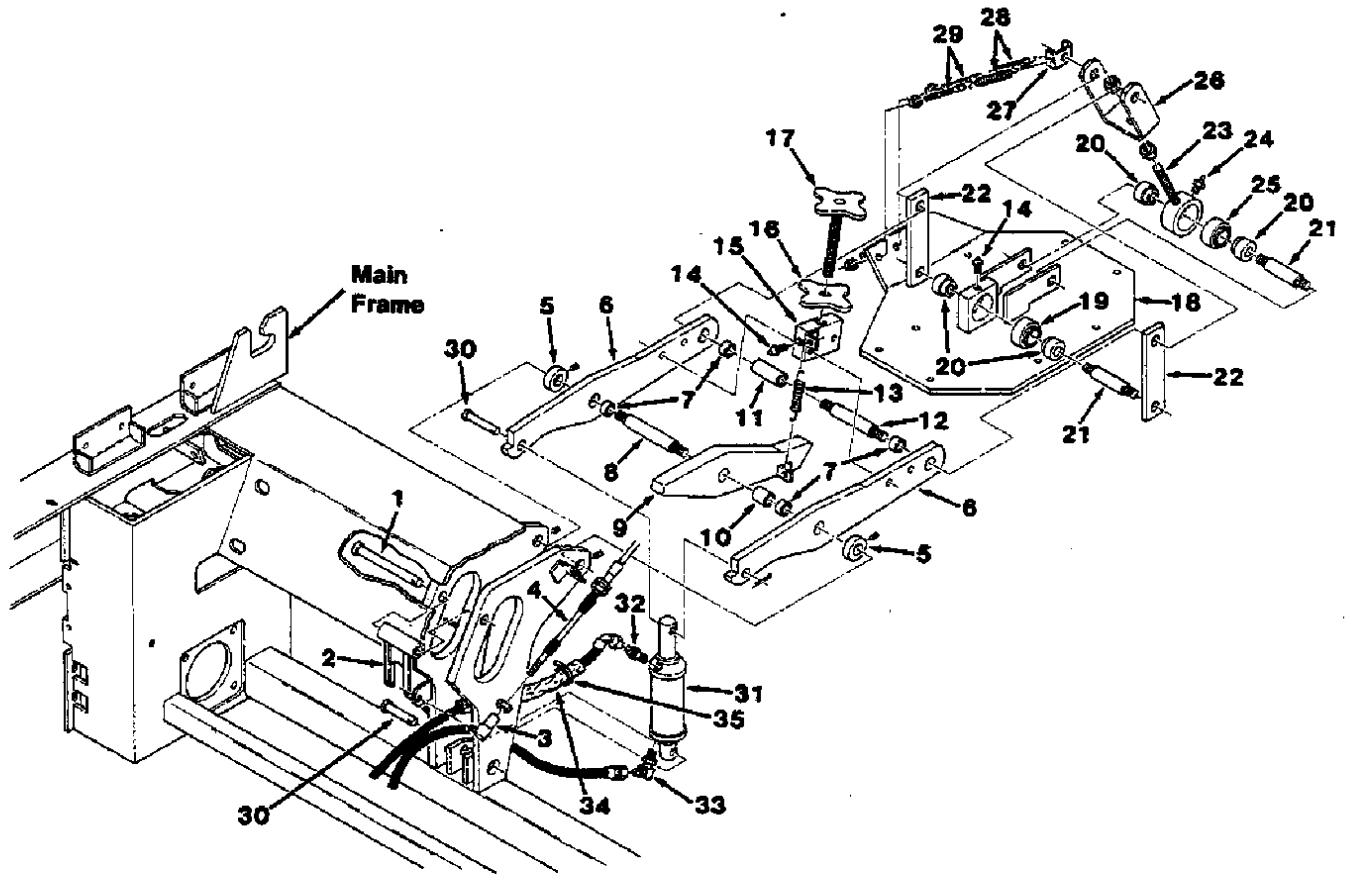


Fig. 27 - Head Lock Group

Fig. 27 - Head Lock Group

Key	TENNANT® Part No.	Machine Serial Number	Description	Qty.
1	69429	(S24000- )	Pin, Clevis	1
2	64022	(S24000- )	Lock, Head	1
3	14601	(S24000- )	Ball Joint	1
4	69494	(S24000- )	Cable, Push-Pull	1
5	69228	(S24000- )	Spacer, Head Pivot	2
6	64376-1	(S24000- )	Arm Assembly, Lift	2
7	64377	(S24000- )	Bearing	2
8	69227	(S24000- )	Shaft, Head Pivot	1
9	64393-2	(S24000- )	Stop, Head Down	1
10	64379	(S24000- )	Bearing	1
11	64727	(S24000- )	Sleeve, Head Linkage	1
12	69780	(S24000- )	Shaft, Long	1
13	75575	(S24000- )	Spring, Tension	1
14	06418	(S24000- )	Fitting, Grease	2
15	64451-1	(S24000- )	Block, Adjuster	1
16	64453-1	(S24000- )	Knob	1
17	64454	(S24000- )	Knob, Adjusting	1
18	64389-1	(S24000- )	Bracket, Mounting Head	1
19	42120-4	(S24000- )	Bearing	1
20	64432	(S24000- )	Sleeve, Spacer	4
21	69779	(S24000- )	Shaft, Short	2
22	64428	(S24000- )	Link, Connecting	2
23	64764	(S24000- )	Rod Assembly	1
24	07259	(S24000- )	Fitting, Grease	1
25	42120-4	(S24000- )	Bearing	1
26	64760	(S24000- )	Bracket, U	1
27	64729	(S24000- )	Bracket, Spring	1
28	11842	(S24000- )	Spring, Tension	2
29	26367	(S24000- )	Bolt, Eye	2
30	06279	(S24000- )	Pin, Clevis	2
31	09624	(S24000- )	Cylinder, Hydraulic	1
32	55586	(S24000- )	Fitting, Straight	1
33	82825	(S24000- )	Fitting, Elbow	1
34	31647	(S24000- )	Sleeve, Hydraulic	1
35	49266	(S24000- )	Tie, Cable	2

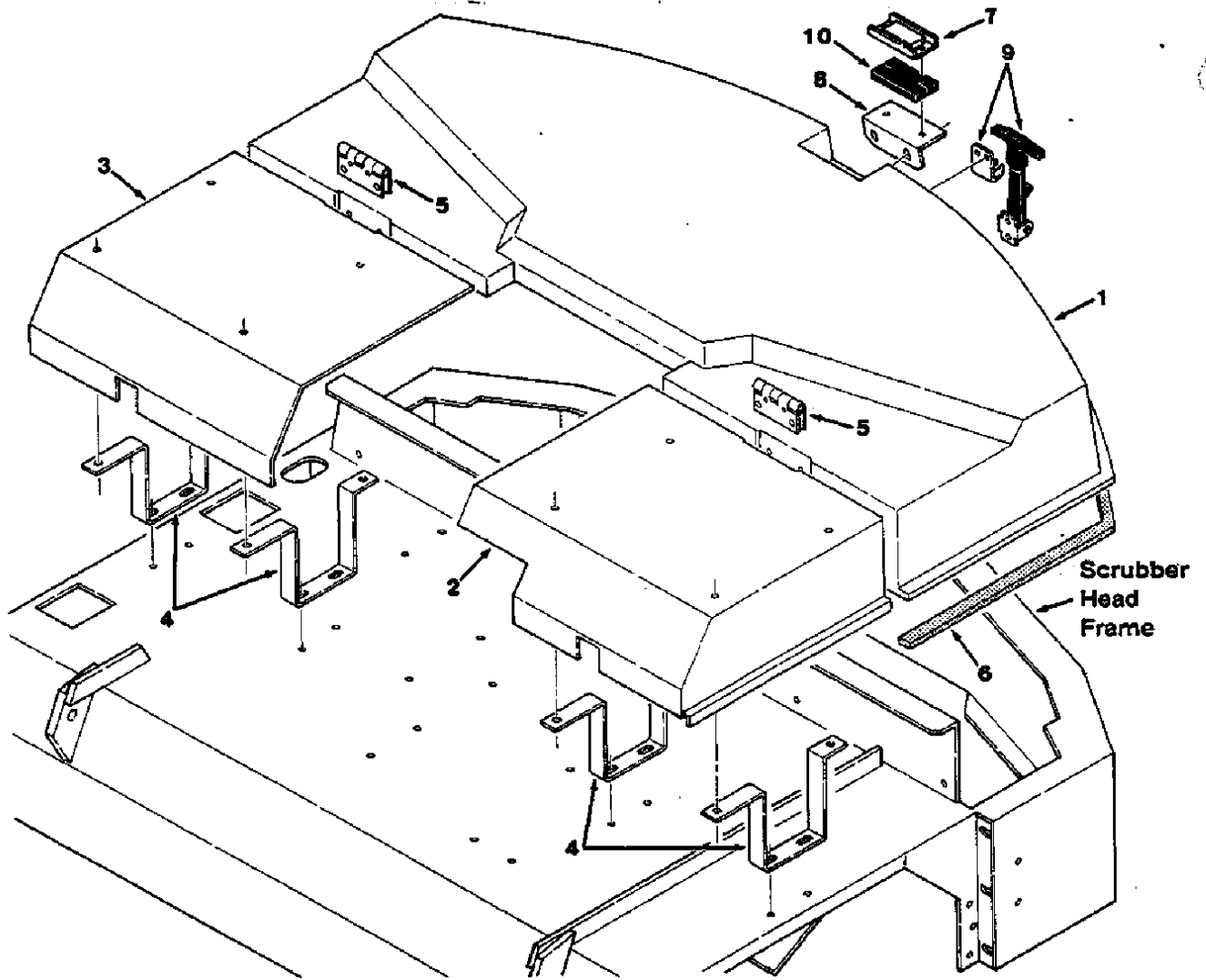


Fig. 28 - Scrub Head Cover Group

00456

Key	Tennant® Part No.	Machine Serial Number	Description	Qty.
1	57073	(S24000- )	Cover, Rear	1
2	16384	(S24000- )	Cover, L.H.	1
3	16385	(S24000- )	Cover, R.H.	1
4	64147-1	(S24000- )	Bracket, Cover Mount	4
5	56815	(S24000- )	Hinge, Cover	2
6	69414	(S24000- )	Seal, Foam Rubber	1
7	63378	(S24000- )	Magnet, Drive Brush	1
8	57259	(S24000- )	Handle, Rear Cover	1
9	57260	(S24000- )	Handle Assembly, Rubber	1
10	57460	(S24000- )	Pad	1

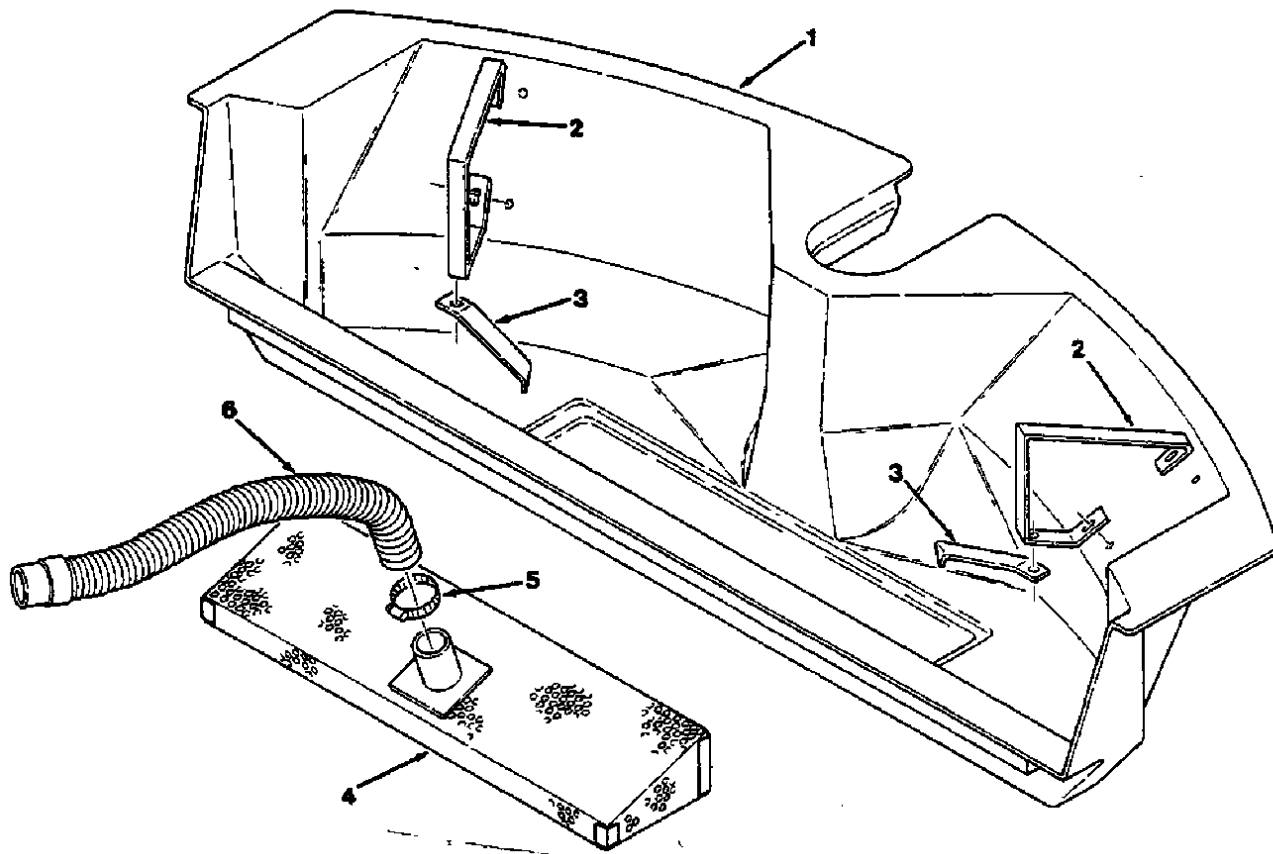


Fig. 29 - Pick-Up Trough Assembly

00455

Key	Tennant® Part No.	Machine Serial Number	Description	Qty.
1	64610	(S24000- )	Trough Assembly, Pick-Up	1
2	64793	(S24000- )	Trough, Pick-Up	1
3	64073	(S24000- )	Handle, Trough	2
3	59393	(S24000- )	Bracket, Screen Hold-Down	2
4	59390	(S24000- )	Screen, Trough	1
5	11399	(S24000- )	Clamp, Worm Drive	1
6	64768	(S24000- )	Hose and Cuff Assembly	1

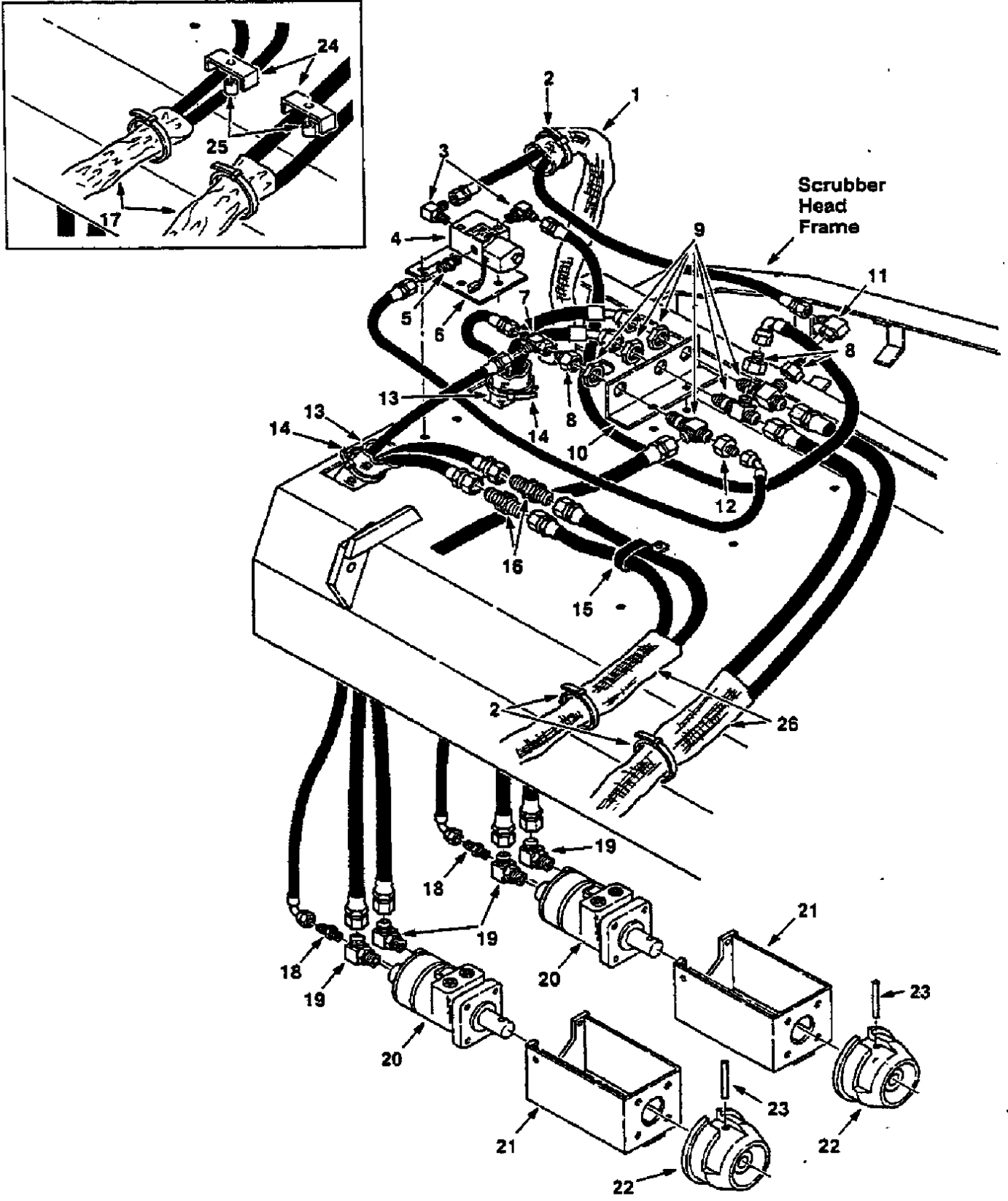


Fig. 30 - Brush Drive Motors Group

Key	TENNANT® Part No.	Machine Serial Number	Description	Qty.
1	57223	(S24000- )	Sleeve, Hydraulic	1
2	49263	(S24000- )	Tie, Cable	8
3	77097	(S24000- )	Fitting, Elbow	2
4	57031	(S24000- )	Valve, Hydraulic Solenoid	1
5	50960	(S24000- )	Fitting, Straight	1
6	64151	(S24000- )	Bracket, Valve Mounting	1
7	57988	(S24000- )	Fitting, Tee	1
8	57979	(S24000- )	Fitting, Straight	3
9	57978	(S24000- )	Fitting, Tee	3
10	57212	(S24000- )	Bracket, Hydraulic	1
11	39210	(S24000- )	Fitting, Elbow	1
12	47753	(S24000- )	Fitting, Straight	1
13	57315	(S24000- )	Sleeve, Hydraulic	2
14	44961	(S24000- )	Tie, Cable	4
15	09570	(S25681- )	Clamp, Double Hose	3
16	82918	(S24422- )	Fitting, Straight	2
17	57224	(S24000-S24421)	Sleeve, Hydraulic	2
18	55586	(S24000- )	Fitting, Straight	2
19	44868	(S24000- )	Fitting, Elbow	4
20	34423	(S24000- )	Motor, Hydraulic	2
21	57250	(S24000- )	Mount, Motor	2
22	57246	(S24000- )	Plug, Drive	2
23	20050	(S24000- )	Pin, Roll	2
24	64125	(S24000-S25680)	Bracket, Hose, (Replaced by 09570)	3
25	09900-1	(S24000-S25680)	Sleeve	3
26	34330	(S24422- )	Sleeve, Hydraulic	2

# STANDARD MODEL PARTS

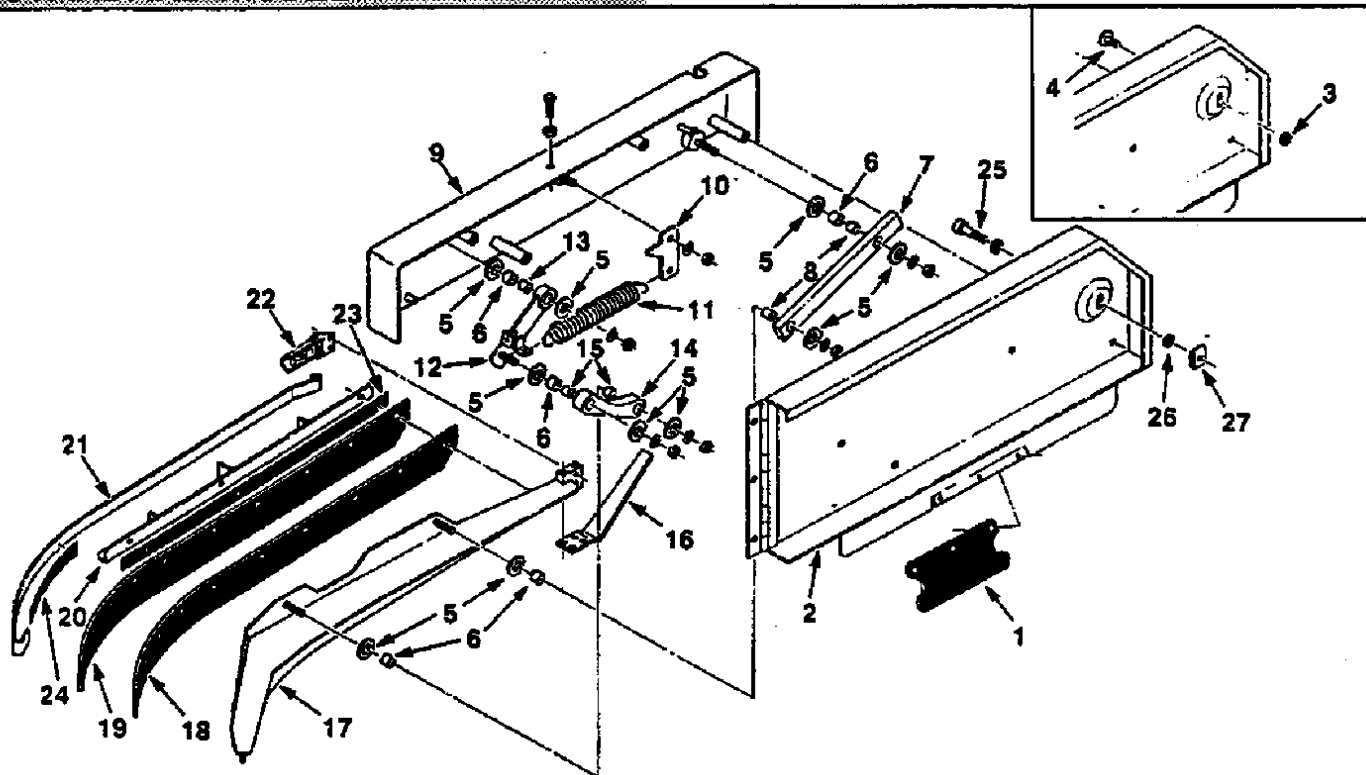


Fig. 31 - Brush Door and Left Side Squeegee Assembly

00489

Key	TENNANT® Part No.	Machine Serial Number	Description	Qty.
1	59617	(S24000- )	Flap, Containment	1
2	64481	(S24000- )	Door, Brush	1
3	26015	(S24000-S25321)	Fastener	1
4	03709	(S24000-S25321)	Fastener, Door	1
	59700	(S24000- )	Squeegee and Guard Assembly, L.H.	1
5	59633	(S24000- )	Bearing, Thrust	10
6	59632	(S24000- )	Sleeve	5
7	59626-1	(S24000- )	Link Assembly	1
8	59634	(S24000- )	Bearing	2
9	59624	(S24000- )	Guard, Squeegee, L.H.	1
10	59650	(S24000- )	Adjuster, Spring	1
11	52238	(S24000- )	Spring	1
12	59673-1	(S24000- )	Arm Assembly	1
13	59634	(S24000- )	Bearing	1
14	59630-1	(S24000- )	Arm Assembly	1
15	59634	(S24000- )	Bearing	2
	59600	(S24000- )	Squeegee Assembly	1
16	59639A	(S24000- )	Guide, Squeegee Tip	1
17	69724	(S24000- )	Frame, Squeegee	1
18	59610A	(S24000- )	Strip, Backup	1
19	60004	(S24000- )	Blade, Squeegee	1
20	59612A	(S24000- )	Bridge	1
21	59663A	(S24000- )	Band	1
22	59618	(S24000- )	Latch	1
23	03494	(S24000- )	Strip, Non-Skid	1
24	03495	(S24000- )	Strip, Non-Skid	1
25	39297	(S25322- )	Screw, Socket	1
26	03712	(S25322- )	Retainer, Nylon	1
27	02485	(S25322- )	Nut, Retainer	1



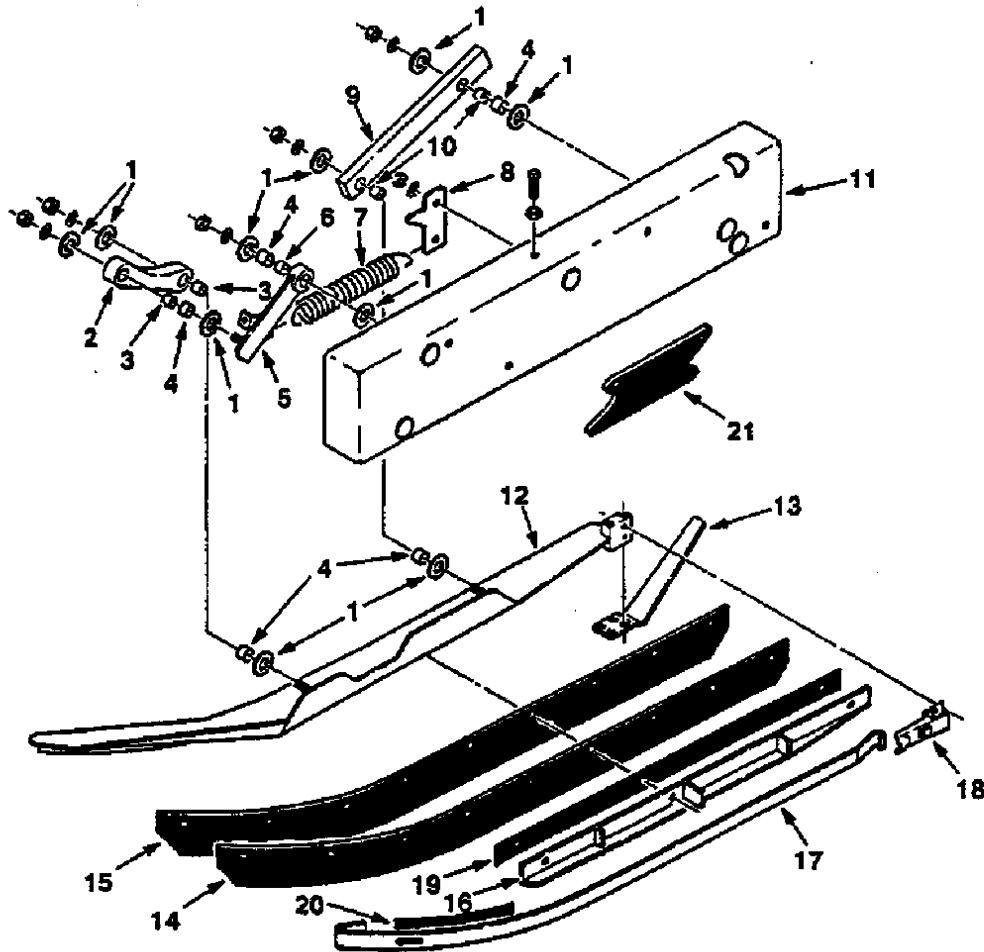


Fig. 32 - Right Side Squeegee Assembly

00488

Key	TENNANT® Part No.	Machine Serial Number	Description	Qty.
	59701	(S24000- )	Squeegee and Guard Assembly, R.H.	1
1	59633	(S24000- )	Bearing, Thrust	10
2	59630-1	(S24000- )	Arm Assembly	1
3	59634	(S24000- )	Bearing	2
4	59632	(S24000- )	Sleeve	5
5	59673-1	(S24000- )	Arm Assembly	1
6	59634	(S24000- )	Bearing	1
7	52238	(S24000- )	Spring	1
8	59650	(S24000- )	Adjuster, Spring	1
9	59626-1	(S24000- )	Link Assembly	1
10	59634	(S24000- )	Bearing	2
11	59625	(S24000- )	Guard, Squeegee	1
	59601	(S24000- )	Squeegee Assembly, R.H.	1
12	69725	(S24000- )	Frame, Squeegee, R.H.	1
13	59639A	(S24000- )	Guide, Spring	1
14	60004	(S24000- )	Blade, Squeegee	1
15	59610A	(S24000- )	Strip, Backup	1
16	59613A	(S24000- )	Bridge, R.H.	1
17	59663A	(S24000- )	Band	1
18	59618	(S24000- )	Latch	1
19	03494	(S24000- )	Strip, Non-Skid	1
20	03495	(S24000- )	Strip, Non-Skid	1
21	59617	(S24000- )	Flap, Containment	1

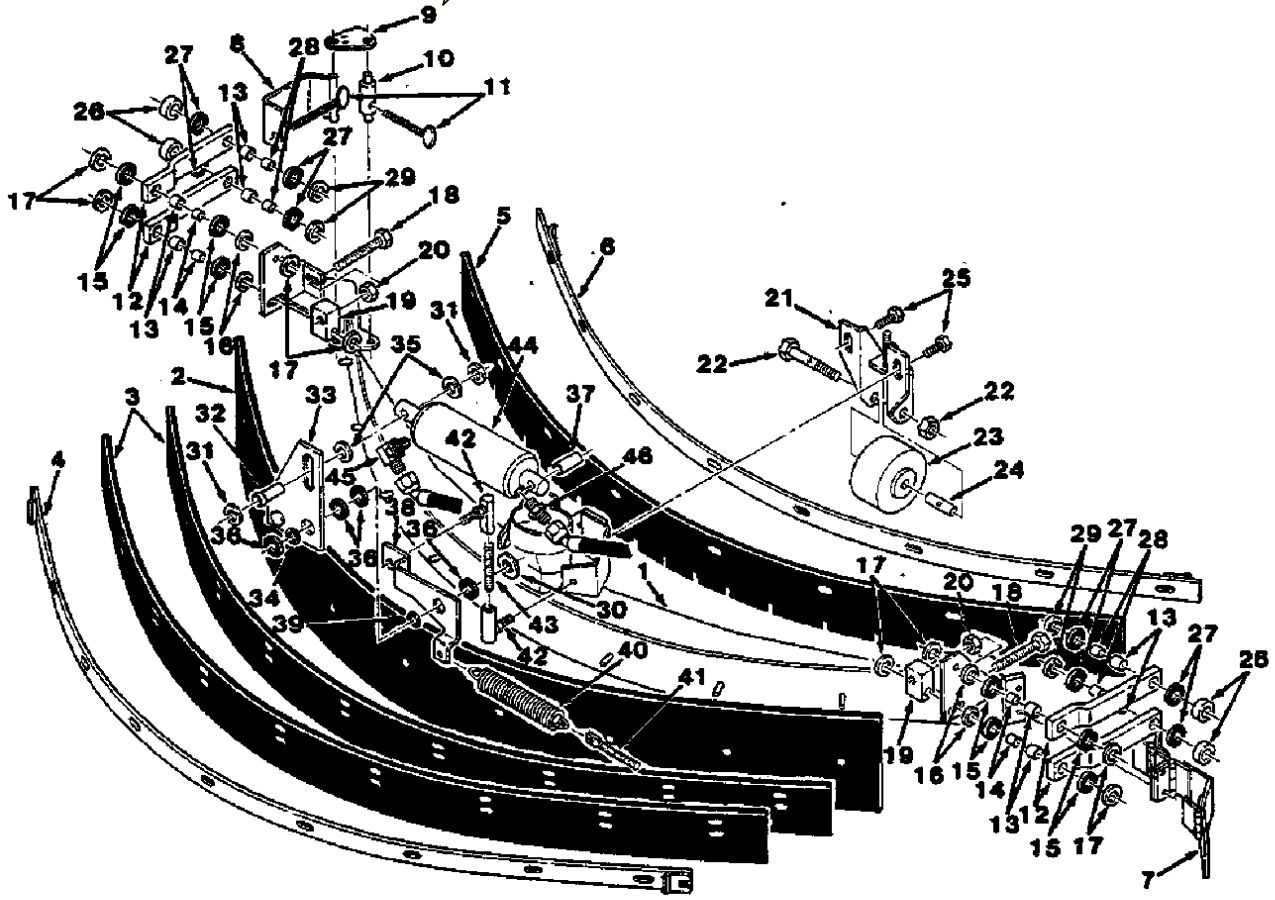


Fig. 33 - Rear Squeegee Assembly

Fig. 33 - Rear Squeegee Assembly

Key	TENNANT® Part No.	Machine Serial Number	Description	Qty.
	64348	(S24000- )	Squeegee Assembly	1
1	64219	(S24000- )	Frame, Squeegee	1
2	60006	(S24000- )	Blade, Rear Squeegee	1
3	59775	(S24000- )	Strip, Rear Backup	2
4	59800	(S24000- )	Band, Rear	1
5	60005	(S24000- )	Blade, Front Squeegee	1
6	59826	(S24000- )	Band, Front	1
7	64382	(S24000- )	Clamp	1
8	76921	(S24000- )	Adjuster, Rear	1
9	69252	(S24000- )	Plate, Pivot	1
10	76927	(S24000- )	Pivot, Adjuster	1
11	39362	(S24000- )	Screw, Thumb	2
12	64361-1	(S24000- )	Arm Assembly	4
13	64173	(S24000- )	Bearing	2
14	64192	(S24000- )	Bearing, Sleeve	4
15	59633	(S24000- )	Bearing, Thrust	8
16	69461	(S24000- )	Washer	4
17	01686	(S24000- )	Washer	8
18	45214	(S24000- )	Screw, Hex	2
19	69459	(S24000- )	Block, Pivot	2
20	01692	(S24000- )	Nut, Hex	2
21	64357	(S24000- )	Bracket, Caster	1
22	76943	(S24000- )	Stud, Wheel	1
23	10165	(S24000- )	Caster, Wheel	1
24	75050	(S24000- )	Bushing, Caster	1
25	69225	(S24000- )	Screw, Hex	2
26	69462	(S24000- )	Sleeve	4
27	59633	(S24000- )	Bearing, Thrust	8
28	64192	(S24000- )	Bearing, Sleeve	4
29	01685	(S24000- )	Washer	4
30	30013	(S24000- )	Washer	1
31	64153	(S24000- )	Washer	2
32	64152	(S24000- )	Bushing	1
33	64123-2	(S24000- )	Link Assembly	1
34	64424	(S24000- )	Sleeve	1
35	64154	(S24000- )	Washer	2
36	64425	(S24000- )	Washer	4
37	64127	(S24000- )	Sleeve	1
38	64422-1	(S24000- )	Bracket Assembly, Squeegee Spring	1
39	64424	(S24000- )	Sleeve	1
40	47745	(S24000- )	Spring, Tension	1
41	26367	(S24000- )	Eyebolt	1
42	14506	(S24000- )	Ball Joint	2
43	64598	(S24000- )	Stud	1
44	09624	(S24000- )	Cylinder, Hydraulic	1
45	77097	(S24000- )	Fitting, Elbow	1
46	55586	(S24000- )	Fitting, Straight	1

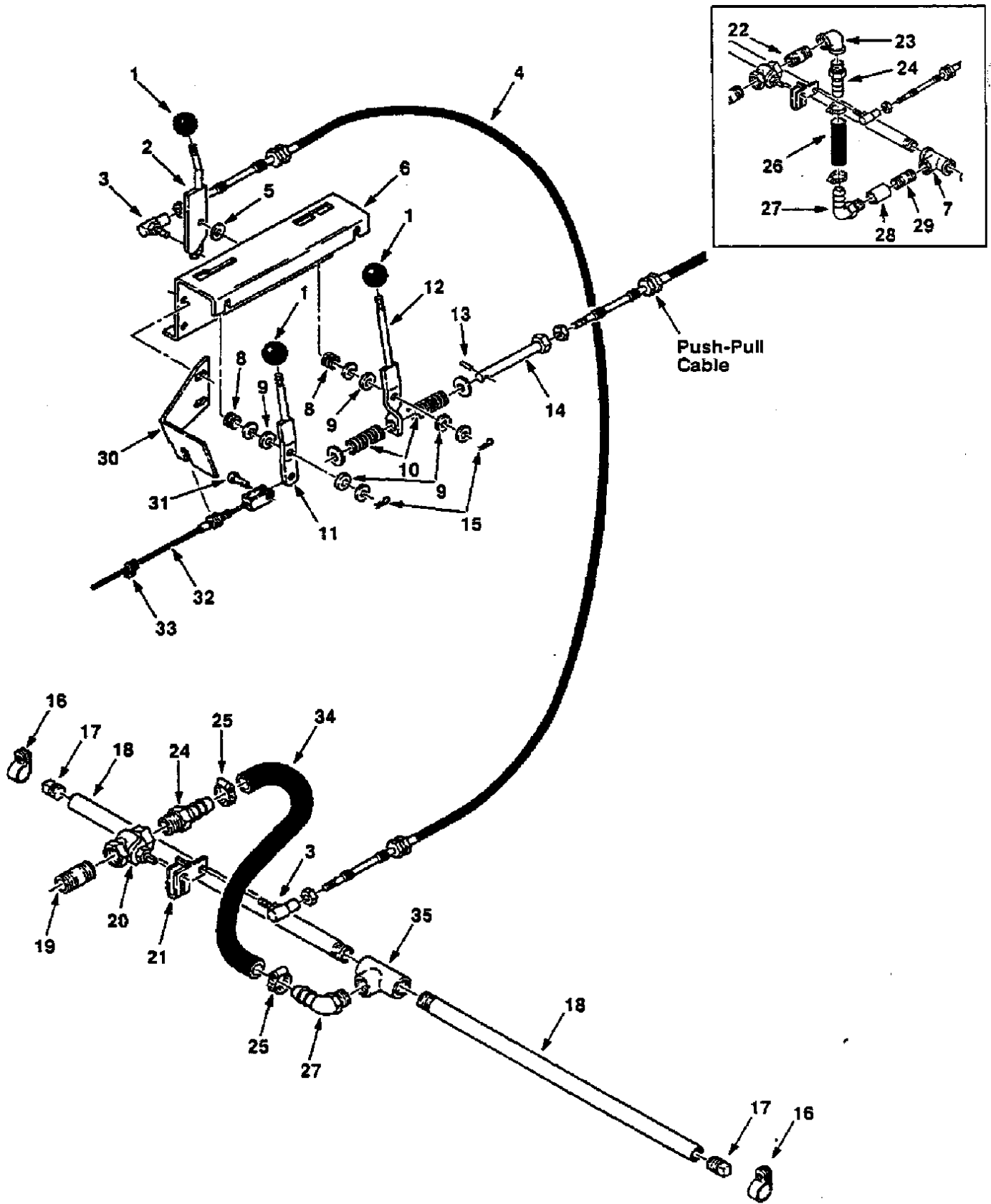


Fig. 34 - Control Handles and Solution Supply Group

Fig. 34 - Control Handles and Solution Supply Group

Key	TENNANT® Part No.	Machine Serial Number	Description	Qty.
1	26565	(S24000- )	Knob	3
2	57405	(S24000- )	Handle, Water Switch	1
3	14601	(S24000- )	Ball Joint	2
4	69494-1	(S24000- )	Cable, Push-Pull	1
5	07026	(S24000- )	Sleeve	1
6	57407	(S24000- )	Bracket, Control	1
7	64739	(S24000-S25644)	Fitting, Tee (Relaced by 03829)	1
8	69495	(S24000- )	Spring	2
9	43611	(S24000- )	Washer, Nylon	4
10	22290	(S24000- )	Spring	2
11	64935	(S24000- )	Handle, Throttle	1
12	64936	(S24000- )	Handle, Scrub Head Lock	1
13	23999-6	(S24000- )	Pin, Roll	1
14	69497	(S24000- )	Rod	1
15	44906	(S24000- )	Pin, Hair, Cotter	2
16	56094	(S24000- )	Clamp, Cable	2
17	56119	(S24000- )	Fitting, Plug	2
18	64747	(S24000- )	Tube, Spreader	2
19	07483	(S24000- )	Fitting, Nipple	1
20	76083	(S24000- )	Valve, Water	1
21	64785	(S24000- )	Arm, Valve	1
22	02266	(S24000-S25644)	Fitting, Nipple	1
23	23563	(S24000-S25644)	Fitting, Elbow	1
24	79273-2	(S24000- )	Fitting, Coupling, Barbed	1
25	63810	(S24000- )	Clamp, Worm Drive	2
26	69215	(S24000-S25644)	Hose, Rubber (Replaced by 03825)	1
27	40145	(S24000- )	Fitting, Elbow, Barbed	1
28	10222	(S24000-S25644)	Fitting, Coupling	1
29	02564	(S24000-S25644)	Fitting, Nipple	1
30	57226	(S24000- )	Angle, Throttle Cable Mount	1
31	28296	(S24000- )	Pin, Clevis	1
32	57089	(S24000- )	Cable, Throttle	1
33	46236	(S24000- )	Clamp, Cable	1
34	03825	(S25645- )	Hose, Rubber	1
35	03829	(S25645- )	Tee	1

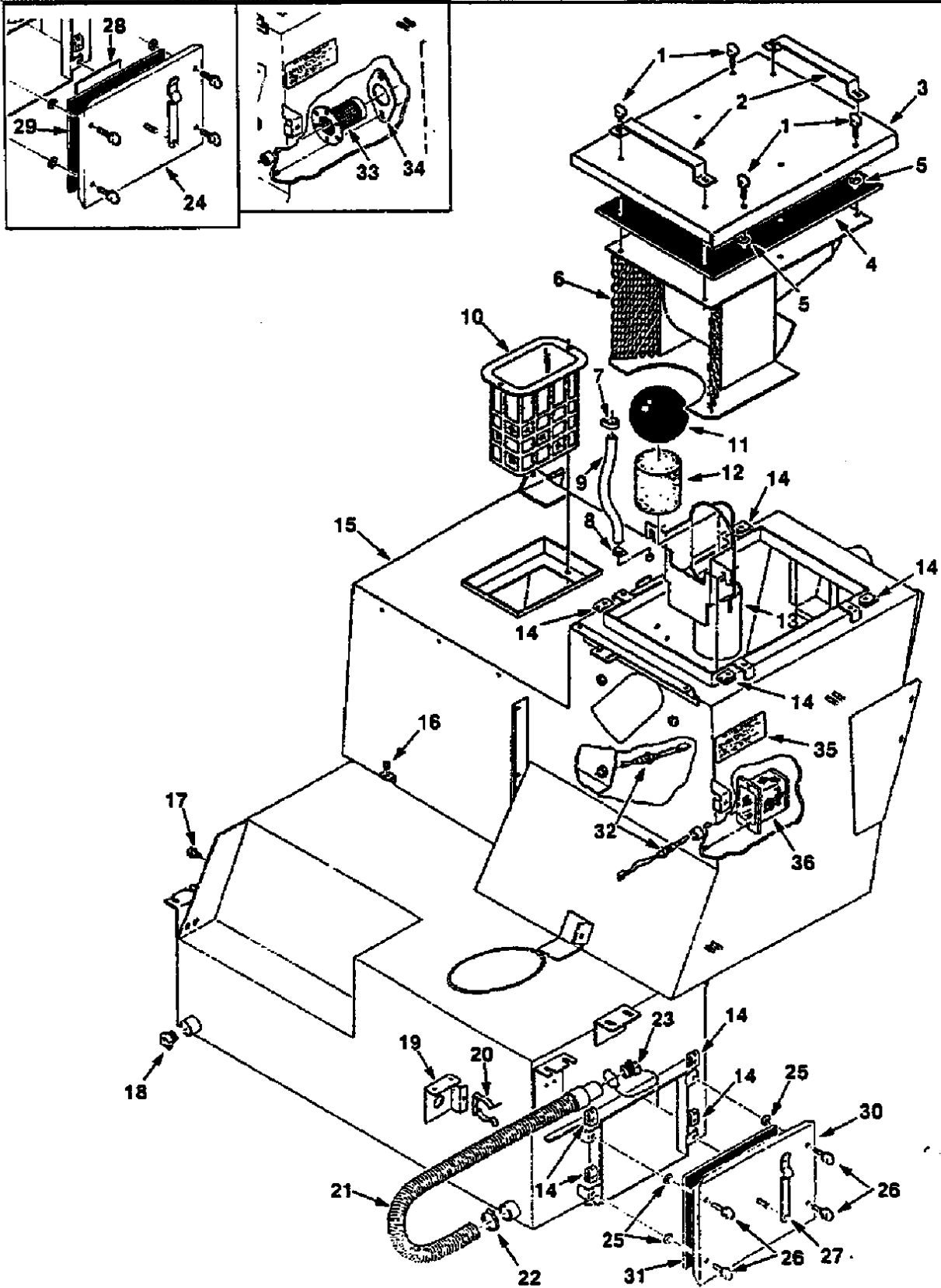


Fig. 35 - Solution and Recovery Tank Group

Fig. 35 - Solution and Recovery Tank Group

Key	TENNANT® Part No.	Machine Serial Number	Description	Qty.
1	43460	(S24000- )	Fastener, Winghead	4
2	64875	(S24000- )	Handle	2
3	64526	(S24000- )	Door, Recovery Tank	1
4	64529	(S24000- )	Gasket	1
5	26015	(S24000- )	Fastener	4
6	64523	(S24000- )	Scroll, Tank	1
7	06777	(S24000- )	Clamp, Cable	1
8	54333	(S24000- )	Clamp, Worm Drive	1
9	45487-6	(S24000- )	Hose, Vinyl	1
10	43516A	(S24000- )	Basket, Soap	1
11	75106	(S24000- )	Float, Ball	1
12	69444	(S24000- )	Float	1
13	69538	(S24000- )	Cage, Ball Float	1
14	28165	(S24000- )	Fastener	8
15	57301	(S24000- )	Tank, Solution and Recovery	1
16	51787	(S24000- )	Bumper, Rubber	1
17	63511	(S24000- )	Fitting, Plug	1
18	25460	(S24000- )	Plug, Expandable	1
19	16375	(S24000- )	Bracket	1
20	67004	(S24000- )	Clip, Finger Grip	1
21	57482	(S24000- )	Hose, Drain	1
22	11531	(S24000- )	Clamp, Worm Drive	1
23	56505	(S24000- )	Plug, Expandable	1
	64866	(S24000- )	Cover Assembly, Tank	1
24	03605	(S24000-S25301)	Door	1
25	26015	(S24000- )	Fastener	4
26	43460	(S24000- )	Fastener, Winghead	4
27	69637	(S24000- )	Spring, Drain Hose	1
28	75048	(S24000-S25301)	Strip	1
29	78802	(S24000-S25301)	Gasket	1
30	03600	(S25302- )	Door	1
31	03601	(S25302- )	Gasket	1
32	57146	(S24000- )	Switch Assembly, Level Sensing	2
33	57421	(S24000-S25301)	Strainer, Basket (Replaced by 03708)	1
34	57325	(S24000-S25301)	Plate, Strainer Mount (Replaced by none)	1
35	41007	(S24000- )	Decal, Lubricating Instructions	1
36	03708	(S25302- )	Filter	1

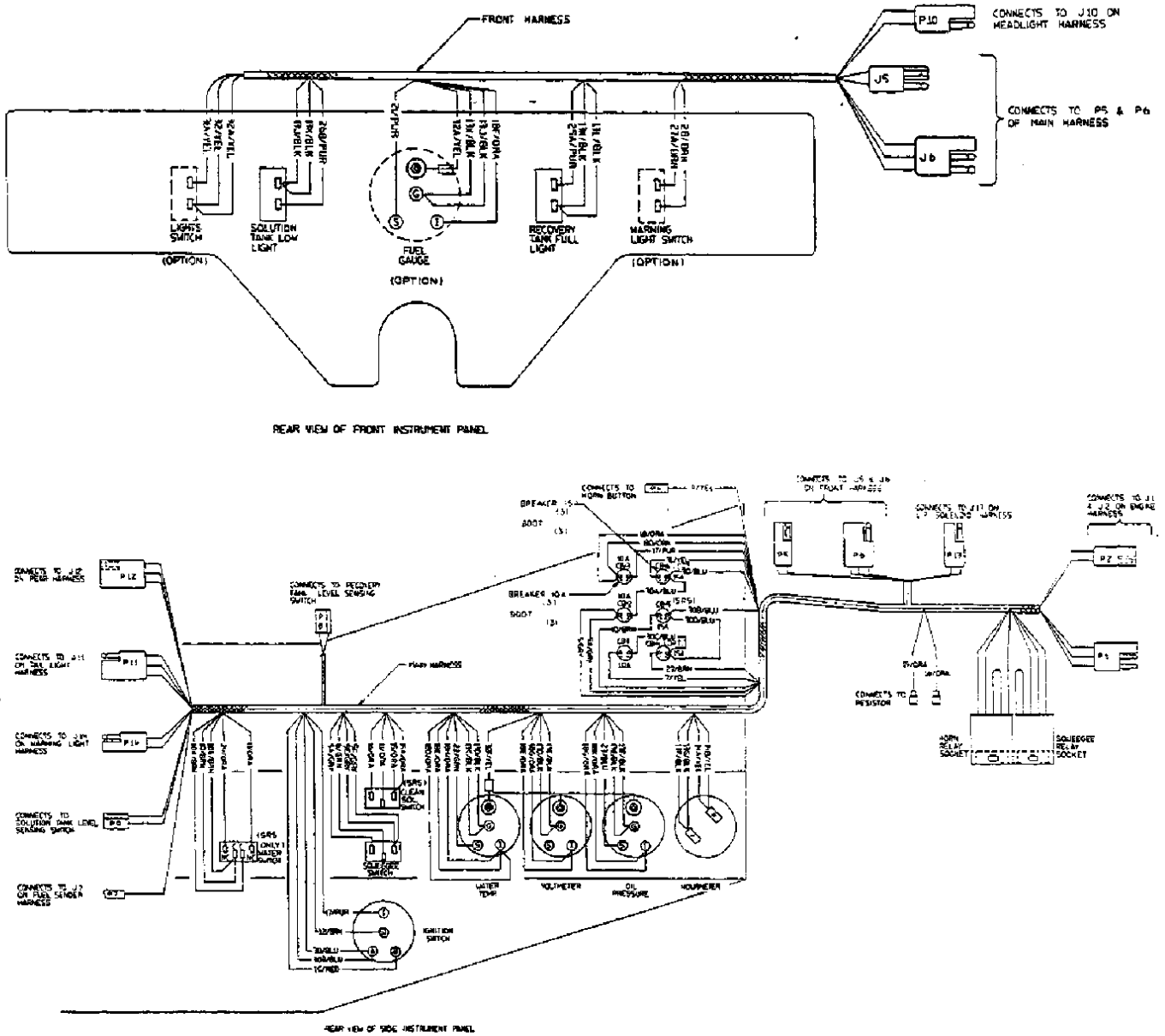


Fig. 36 - Wire Harnesses Group



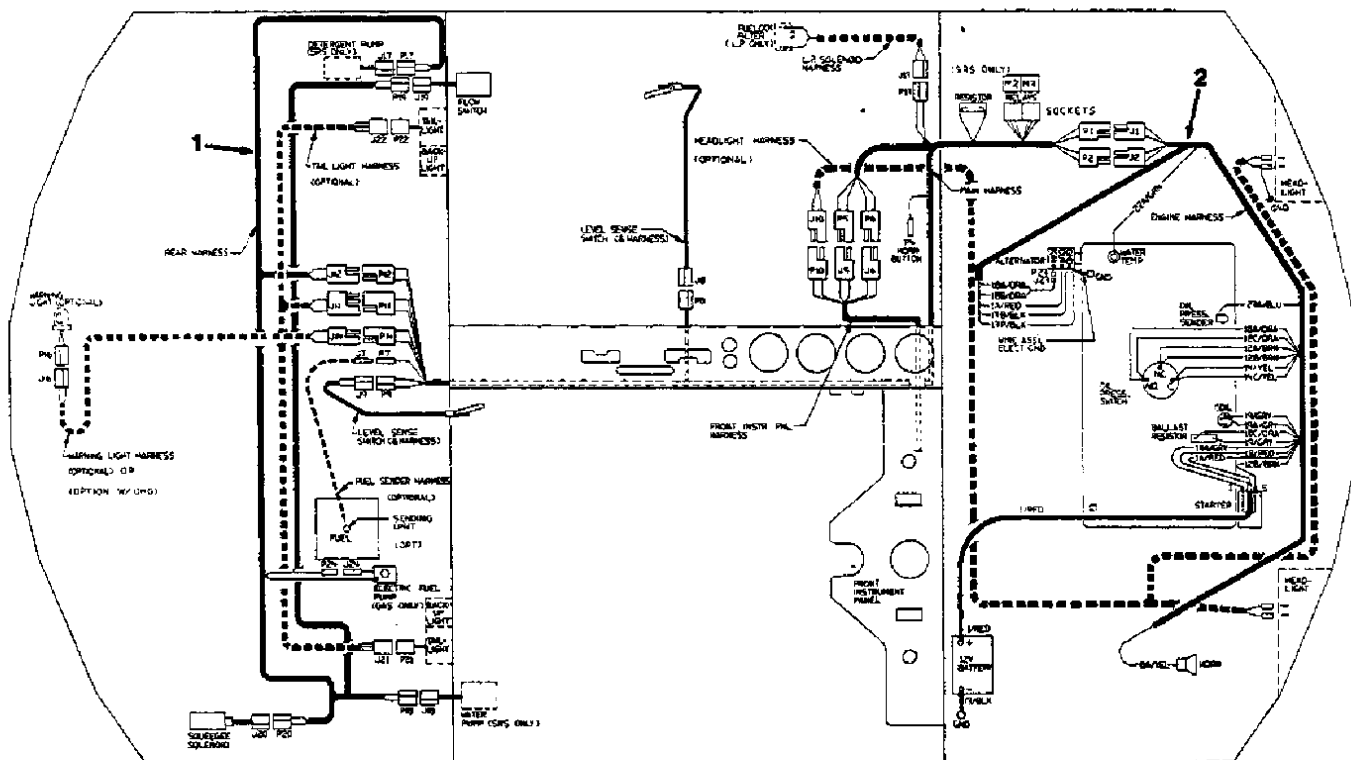


Fig. 36 - Wire Harnesses Group

02525

Key	Tennant® Part No.	Machine Serial Number	Description	Qty.
1	57143	(S24000- )	Wire Harness, Rear	1
2	57139	(S24000- )	Wire Harness, Engine	1

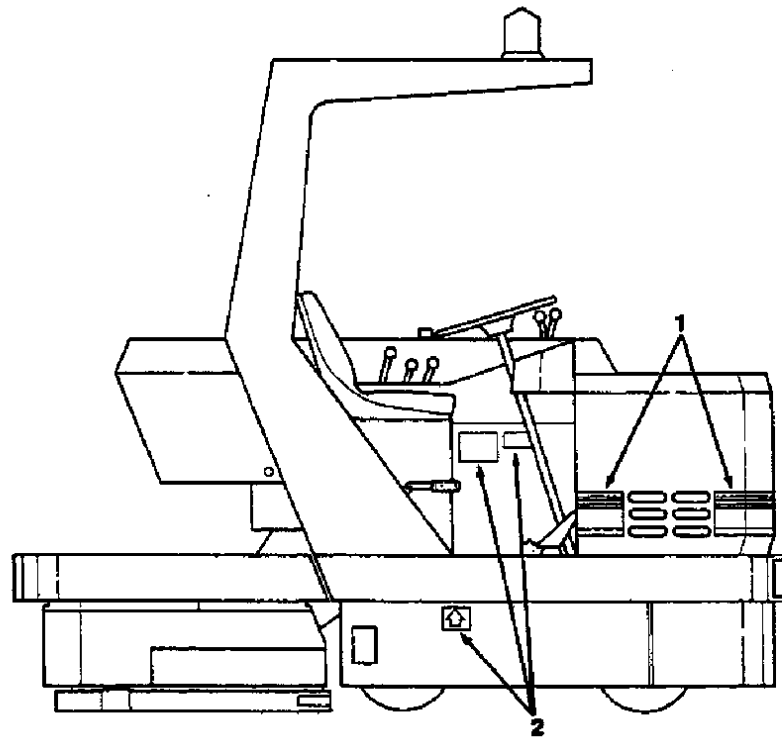
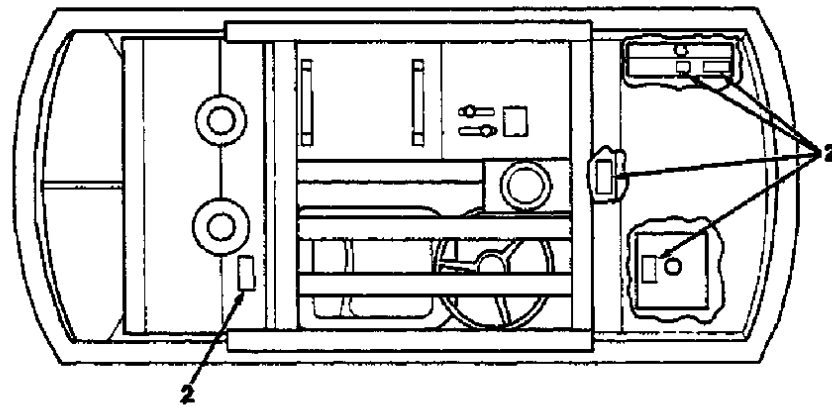


Fig. 37 - Labels Group

02506

Key	Tennant® Part No.	Machine Serial Number	Description	Qty.
1	57350	(S24000- )	Label Kit, Striping	1
2	57352	(S24000- )	Label Kit, Information and Hazard	1

---

# SECTION 6 LPG PARTS

## CONTENTS

	Page
Ordering Repair Parts .....	6-1
Fig. 1 - Carburetor and Fuel Tank Group, LPG .....	6-2

*NOTE: Section 6, LPG Parts, lists repair parts unique to an LPG powered machine.*

---

Home

Find...

Go To..





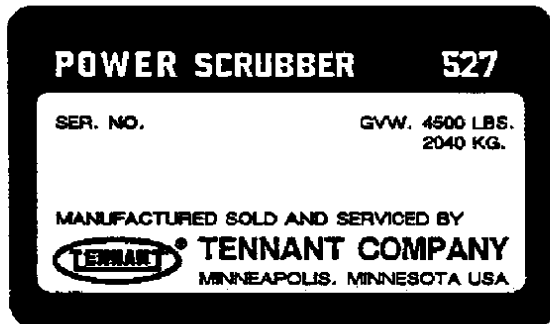
## ORDERING REPAIR PARTS

The components used in this machine have been carefully selected for performance and safety. Use only Tennant Company specified or equivalent parts.

To receive prompt service in filling of your parts orders, please direct all orders for parts with Tennant Company part numbers to the Tennant Company, and all orders for parts with vendor part numbers to the local supplier of the respective vendor.

When ordering parts, please furnish all of the following information:

1. Machine model number - shown on the machine data plate.



2. Machine serial number - shown on the machine data plate.
3. Power source - gasoline, LPG, diesel, electric.
4. Company name.
5. Shipping address.
6. Billing address.
7. Name, first and last - of person ordering parts.
8. Telephone number.
9. Purchase order number.
10. Part number, description, and quantity - of each item on the order.

Do not order parts by key number or the figure number of the illustrated parts. Indented items indicate parts of assemblies. Standard hardware is furnished only when part of a purchased assembly. Please get hardware from a local hardware supplier.

If the old part cannot be identified, send it to us with the quantity needed specified on the order.

Any claim for loss or damage to a shipment in transit should be filed promptly against the transportation company making the delivery. Shipments will be complete unless the packing list or order acknowledgement indicate items back ordered.

If parts received are suspected to be incorrect or defective, please write, wire, or phone the Tennant Company representative from whom you ordered the part. They will give authorization for return and/or handle replacement shipments when required.

## SERIAL NUMBER INFORMATION EXPLANATION

Serial number listings are shown to indicate on which machines each part can be used. These listings are explained by the following examples:

(000000- ) The part can be used on all machines.

(003342- ) The part can be used on all machines beginning with the serial number listed.

(000000-004320) The part can be used on all machines up to and including serial number listed.

(004321-005678) The part can be used on all machines between and including the serial numbers listed.

Where xxxxx's are listed in place of a serial number, it indicates a change was made but the exact serial number had not been established when the catalog went to press.

SI UNITS OF MEASURE  
(INTERNATIONAL SYSTEM)

Metric equivalents have been included, where applicable, throughout this parts catalog.

## FASTENER STRENGTH IDENTIFICATION

Fasteners required to have high-strength qualities equivalent to SAE Grade 8 are identified throughout this catalog by the description GR 8. Unless identified by this description, all standard fasteners are SAE Grade 5.

(Specifications and design subject to change without notice.)

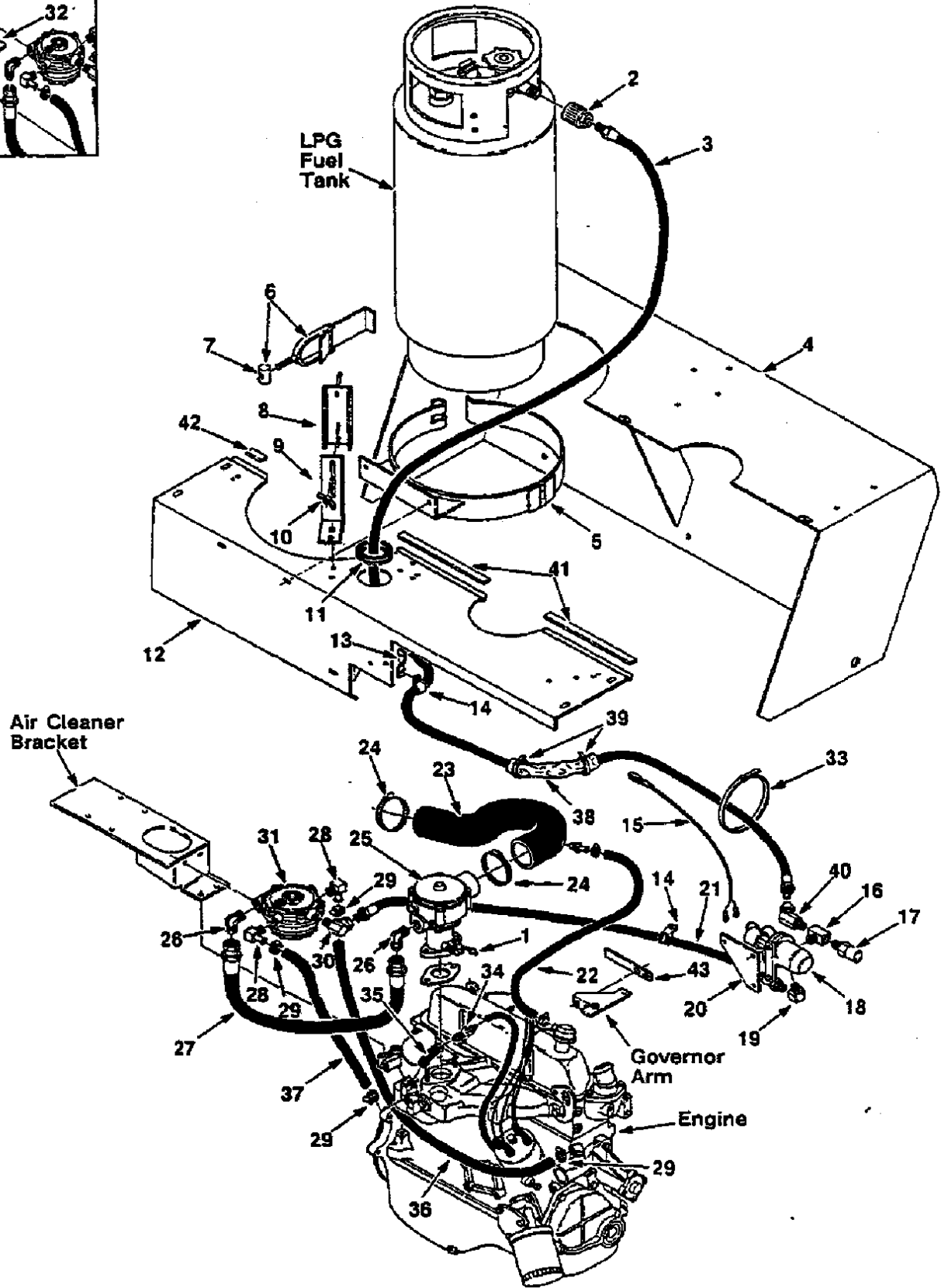
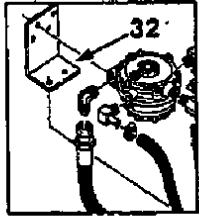


Fig. 1 - Carburetor and Fuel Tank Group, LPG

NOTE: To identify parts shown but not listed here, see Section 5, Standard Model Parts, or Section 8, Accessories.

Fig. 1 - Carburetor and Fuel Tank Group, LPG

Key	TENNANT® Part No.	Machine Serial Number	Description	Qty.
1	50332-2	(S24000- )	Ball Joint, End	1
2	26496	(S24000- )	Coupling, LPG	1
3	62865	(S24000- )	Hose, LPG	1
4	57348	(S24000- )	Shroud, Rear	1
5	57327	(S24000- )	Bracket, Mount	1
6	53400-1	(S24000- )	Latch	1
7	53400-4	(S24000- )	Lug	1
8	64050	(S24000- )	Bracket, Locating Pin	1
9	57326	(S24000- )	Bracket, Mount	1
10	26509	(S24000- )	Nut, Wing	2
11	10632-19	(S24000- )	Grommet	1
12	57182	(S24000- )	Deck, Rear	1
13	69465	(S24000- )	Strip, Clamp	1
14	26395-1	(S24000- )	Clamp, Cable	5
15	57140	(S24000- )	Wire Harness, LPG	1
16	53268	(S24000- )	Fitting, Tee	1
17	24047	(S24000- )	Valve, Pressure Relief	1
18	33555	(S24000- )	Fuel Filter Lock	1
	SK1444	(S24000- )	Repair Kit, Fuel Filter Lock	1
19	27048	(S24000- )	Fitting, Elbow	1
20	64966	(S24000- )	Plate, Mount	1
21	47192	(S24000- )	Hose, LPG	1
22	32666	(S24000- )	Hose, Rubber	1
23	57162	(S24000- )	Hose	1
24	14432	(S24000- )	Clamp, Worm Drive	2
25	82691	(S24000- )	Carburetor, LPG	1
26	46811	(S24000- )	Fitting, Elbow	2
27	82505	(S24000- )	Hose, LPG	1
28	51839	(S24000- )	Fitting, Elbow	2
29	11399	(S24000- )	Clamp, Worm Drive	4
30	11442-1	(S24000- )	Fitting, Elbow	1
31	54930	(S24000- )	Vaporizer, LPG	1
	55998	(S24000- )	Repair Kit, Vaporizer	1
32	82556	(S24000-S24900)	Bracket, Regulator	1
33	32815	(S24000- )	Tie, Cable	1
34	82684	(S24000- )	Fitting, Straight	1
35	57353	(S24000- )	Hose, Rubber	1
36	57346	(S24000- )	Hose	1
37	57871	(S24000- )	Hose	1
38	57452	(S24000- )	Sleeve, Hydraulic	1
39	49263	(S24000- )	Tie, Cable	2
40	23301	(S24000- )	Fitting, Elbow, 45°	1
41	58916	(S24000- )	Seal	2
42	41830	(S24000- )	Seal, Foam Rubber	1
43	82678	(S24000- )	Spring, Flat	1

Home	Find...	Go To..		
------	---------	---------	--	---



---

# SECTION 7 DIESEL PARTS

## CONTENTS

	Page
Ordering Repair Parts .....	7-1
Fig. 1 - Engine and Fuel Lines Group, Diesel .....	7-2
Fig. 2 - Fuel Tank Group, Diesel .....	7-5
Fig. 3 - Radiator Group, Diesel .....	7-6
Fig. 4 - Muffler Group .....	7-7
Fig. 5 - Air Cleaner Group, Diesel .....	7-8
Fig. 6 - Directional Control and Pump Group, Diesel .....	7-9
Fig. 7 - Battery Group, Diesel .....	7-10
Fig. 8 - Hydraulic Reservoir Group, Diesel ..	7-11
Fig. 9 - Hydraulic Hose Group, Diesel .....	7-12
Fig. 10 - Engine Hood Assembly, Diesel ...	7-13
Fig. 11 - Vacuum Fan Mount Group, Diesel	7-14
Fig. 12 - Instrument Panel Group, Diesel ...	7-15
Fig. 13 - Wire Harness Group, Diesel .....	7-16

*NOTE: Section 7, Diesel Parts, lists parts unique to a diesel powered machine.*

---

Home

Find...

Go To..





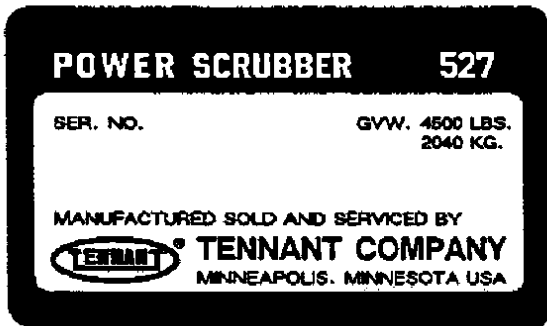
**ORDERING REPAIR PARTS**

The components used in this machine have been carefully selected for performance and safety. Use only Tennant Company specified or equivalent parts.

To receive prompt service in filling of your parts orders, please direct all orders for parts with Tennant Company part numbers to the Tennant Company, and all orders for parts with vendor part numbers to the local supplier of the respective vendor.

When ordering parts, please furnish all of the following information:

1. Machine model number - shown on the machine data plate.



2. Machine serial number - shown on the machine data plate.
3. Power source - gasoline, LPG, diesel, electric.
4. Company name.
5. Shipping address.
6. Billing address.
7. Name, first and last - of person ordering parts.
8. Telephone number.
9. Purchase order number.
10. Part number, description, and quantity - of each item on the order.

Do not order parts by key number or the figure number of the illustrated parts. Indented items indicate parts of assemblies. Standard hardware is furnished only when part of a purchased assembly. Please get hardware from a local hardware supplier.

If the old part cannot be identified, send it to us with the quantity needed specified on the order.

Any claim for loss or damage to a shipment in transit should be filed promptly against the transportation company making the delivery. Shipments will be complete unless the packing list or order acknowledgement indicate items back ordered.

If parts received are suspected to be incorrect or defective, please write, wire, or phone the Tennant Company representative from whom you ordered the part. They will give authorization for return and/or handle replacement shipments when required.

**SERIAL NUMBER INFORMATION EXPLANATION**

Serial number listings are shown to indicate on which machines each part can be used. These listings are explained by the following examples:

- (000000- ) The part can be used on all machines.
- (003342- ) The part can be used on all machines beginning with the serial number listed.
- (000000-004320) The part can be used on all machines up to and including serial number listed.
- (004321-005678) The part can be used on all machines between and including the serial numbers listed.

Where xxxxx's are listed in place of a serial number, it indicates a change was made but the exact serial number had not been established when the catalog went to press.

**SI UNITS OF MEASURE (INTERNATIONAL SYSTEM)**

Metric equivalents have been included, where applicable, throughout this parts catalog.

**FASTENER STRENGTH IDENTIFICATION**

Fasteners required to have high-strength qualities equivalent to SAE Grade 8 are identified throughout this catalog by the description GR 8. Unless identified by this description, all standard fasteners are SAE Grade 5.

(Specifications and design subject to change without notice.)

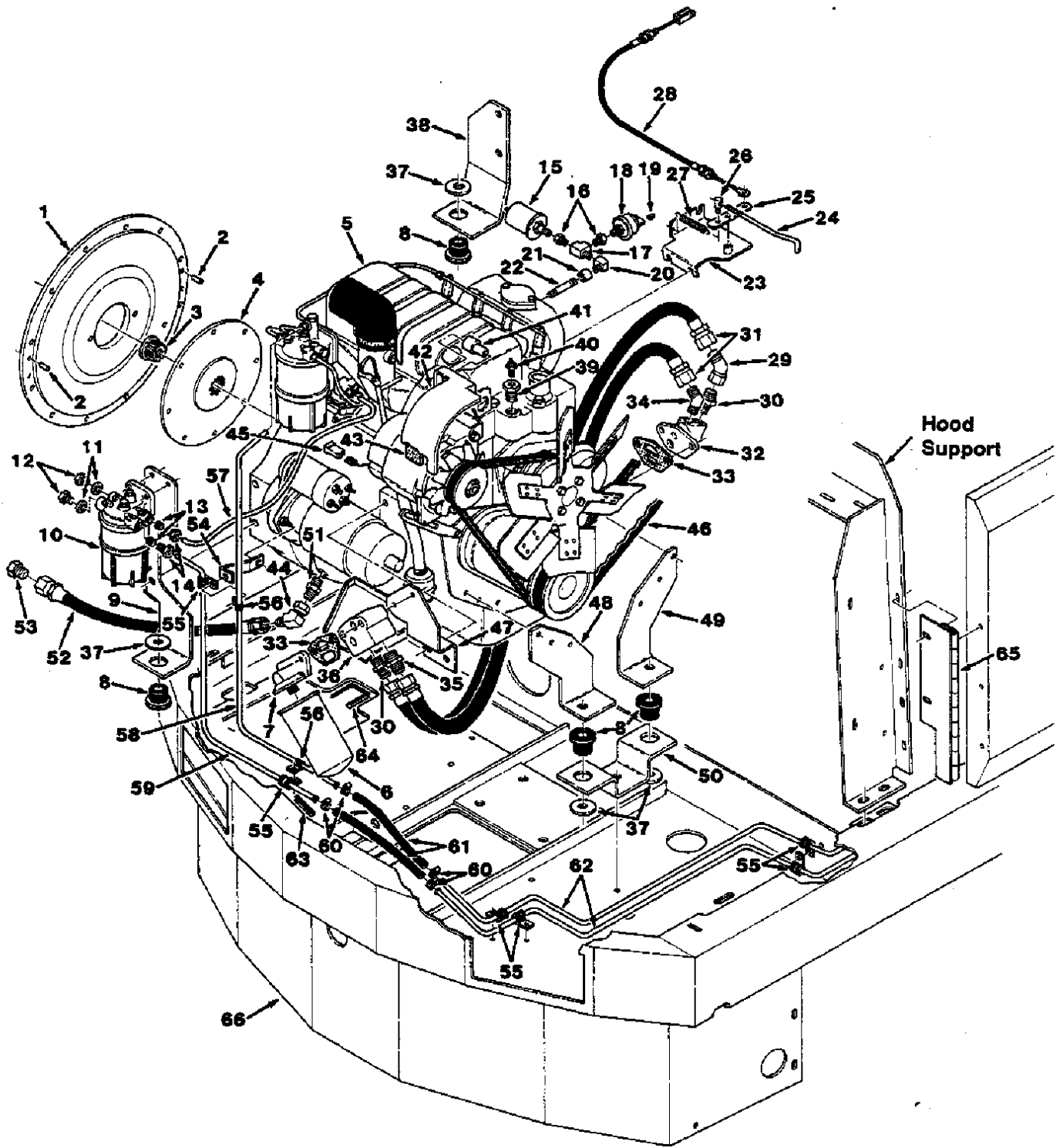


Fig. 1 - Engine and Fuel Lines Group, Diesel

NOTE: To identify parts shown but not listed here, see Section 5, Standard Model Parts.

Fig. 1 - Engine and Fuel Lines Group, Diesel

Key	Tennant® Part No.	Machine Serial Number	Description	Qty.
1	57409	(S24000- )	Mount, Pump	1
2	23999-8	(S24000- )	Pin, Roll	2
3	57365	(S24000- )	Adaptor, Drive Plate	1
4	16338	(S24000- )	Plate, Disk	1
5	57381	(S24000- )	Engine, Diesel	1
6	52770-5	(S24000- )	Element, Oil Filter	1
7	52770-4	(S24000- )	Head, Oil Filter	1
8	51176	(S24000- )	Dampener, Engine	4
9	16273	(S24000- )	Mount, Engine	1
10	52770-8	(S24000- )	Water Trap, Fuel	1
11	32435	(S24000- )	Washer, Sealing	2
12	32436	(S24000- )	Plug, Sealing	2
13	32590	(S24000- )	Olive, Rubber	2
14	32587	(S24000- )	Nut, Water Trap	2
15	34808	(S24000- )	Sender, Oil Pressure	1
16	17414	(S24000- )	Fitting, Straight	2
17	26426	(S24000- )	Fitting, Tee	1
18	51805	(S24000- )	Switch, Oil Pressure	1
19	68106	(S24000- )	Terminal, Tab	3
20	11984	(S24000- )	Fitting, Elbow	1
21	11848	(S24000- )	Fitting, Coupling	1
22	32529	(S24000- )	Fitting, Nipple	1
23	57477	(S24000- )	Bracket, Throttle	1
24	57391	(S24000- )	Link, Throttle	1
25	57390	(S24000- )	Bell Crank	1
26	54742	(S24000- )	Connector	1
27	03472	(S24000- )	Spring, Extension	1
28	03471	(S24000- )	Cable, Throttle	1
29	07797	(S24000- )	Fitting, Elbow, 45°	1
30	15687	(S24000- )	Fitting, Straight	2
31	44861	(S24000- )	Hose, Hydraulic	2
32	52770-2	(S24000- )	Adaptor, Oil Filter	1
33	32588	(S24000- )	Gasket, oil	2
34	51780	(S24000- )	Fitting, Elbow, 45°	1
35	06743	(S24000- )	Fitting, Straight	1
36	52770-3	(S24000- )	Adaptor, Oil Filter	1
37	51564	(S24000- )	Washer	4
38	16274	(S24000- )	Mount, Engine	1
39	78170	(S24000- )	Fitting, Straight	1
40	58592	(S24000- )	Sending Unit, Temperature	1
41	03470	(S24000- )	Spacer, Alternator Mounting	1
42	16337	(S24000- )	Shield Assembly	1
43	56515	(S24000- )	Seal, Foam Rubber	2
44	07797	(S24000- )	Fitting, Elbow, 45°	1
45	63510	(S24000- )	Connector	1
46	75343	(S24000- )	V-Belt	1
47	16276	(S24000- )	Bracket, Oil Filter	1
48	54500	(S24000- )	Mount, Engine, L.H.	1
49	54499	(S24000- )	Mount, Engine, R.H.	1
50	16275	(S24000- )	Bracket, Front	1
51	44869	(S24000- )	Fitting, Straight	1
52	34395	(S24000- )	Hose, Hydraulic	1
53	16376	(S24000- )	Fitting, Plug	1

**DIESEL PARTS**

Key	Tennant® Part No.	Machine Serial Number	Description	Qty.
54	03506	(S24000- )	Bracket, Fuel Line	1
55	76736	(S24000- )	Clamp, Cable	6
56	46236	(S24000- )	Clamp, Cable	2
57	62049-4	(S24000- )	Tube	1
58	03501	(S24000- )	Fuel Line	1
59	03500	(S24000- )	Fuel Line	1
60	54333	(S24000- )	Clamp, Worm Drive	4
61	03505	(S24000- )	Hose, Fuel Line	2
62	03491	(S24000- )	Fuel Line	2
63	62595-18	(S24000- )	Molding, Rigid	1
64	62595-4	(S24000- )	Molding, Rigid	1
65	03479	(S24000- )	Hinge, Side Door	1
66	03477	(S24000- )	Frame, Main	1

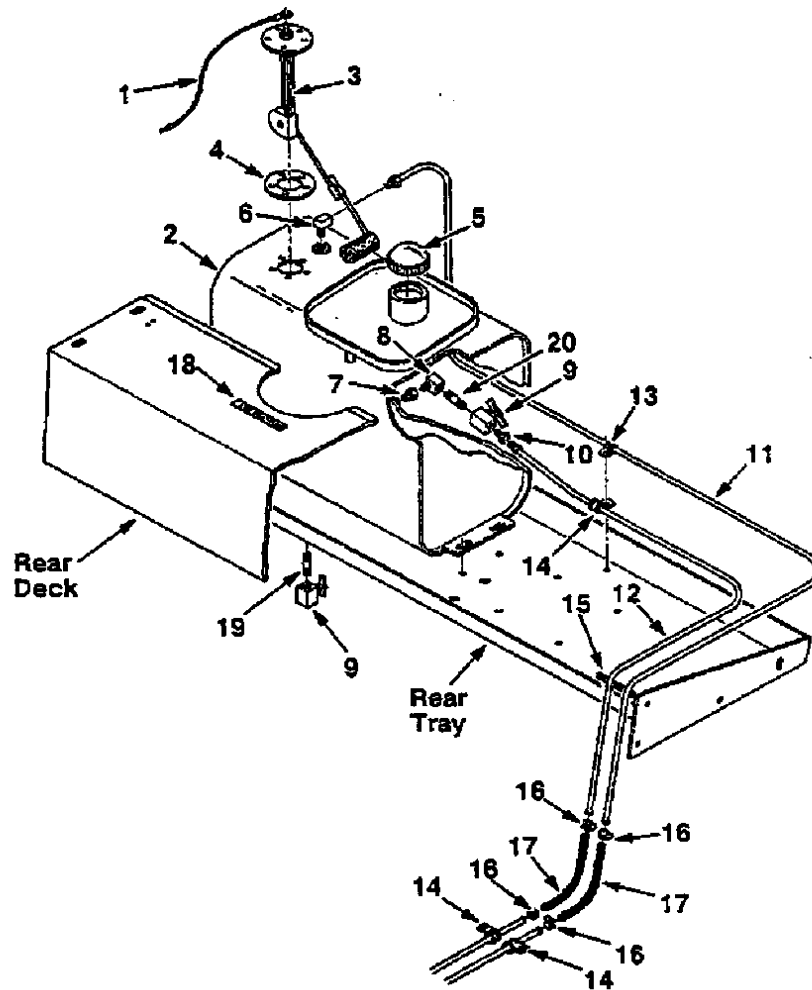
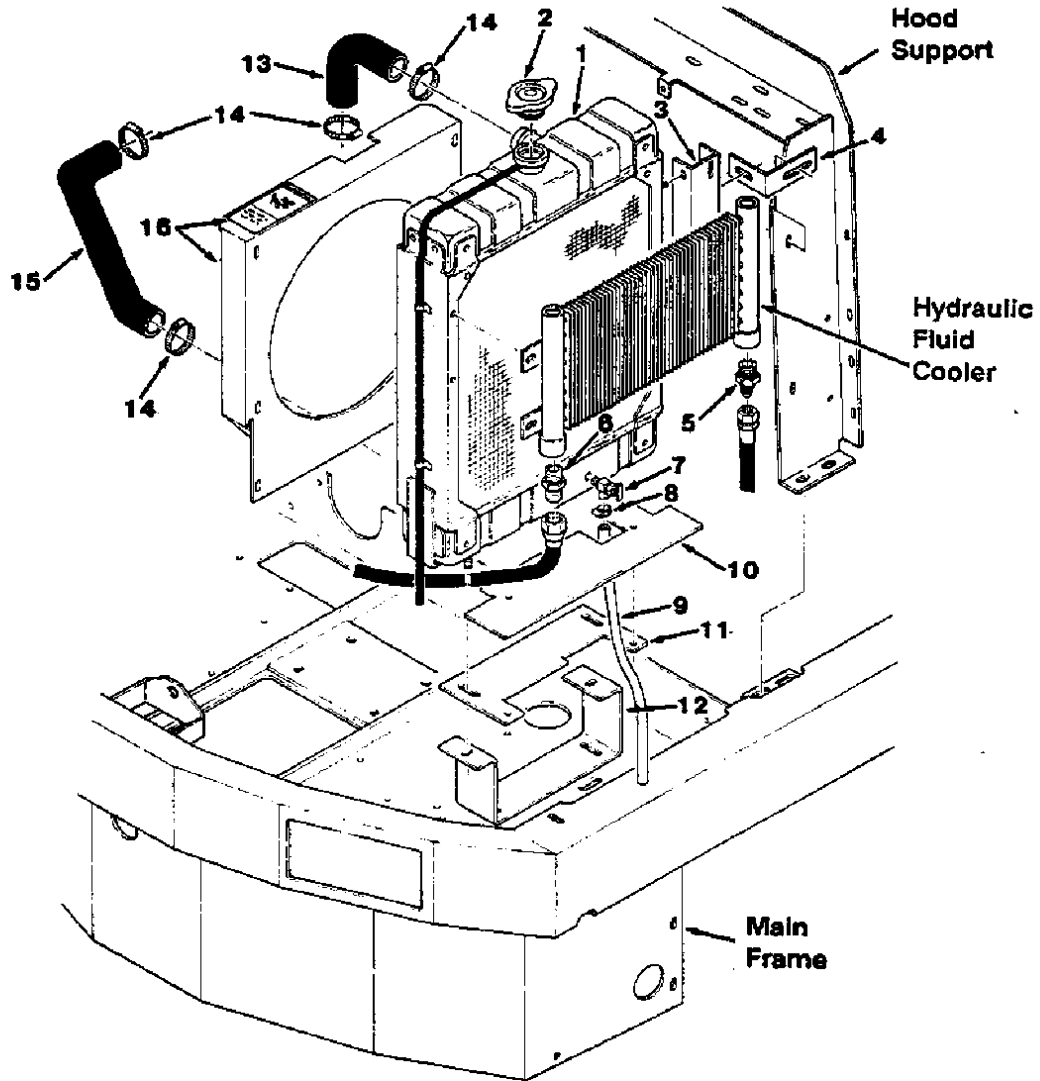


Fig. 2 - Fuel Tank Group, Diesel

02919

Key	TENNANT® Part No.	Machine Serial Number	Description	Qty.
1	57142	(S24000- )	Wire Harness, Fuel Sender	1
2	82729	(S24000- )	Tank, Fuel	1
3	47473	(S24000- )	Sending Unit	1
4	14131	(S24000- )	Gasket	1
5	48267	(S24000- )	Cap, Fuel Tank	1
6	15555	(S24000- )	Fitting, Elbow	1
7	69736	(S24000- )	Fitting, Straight	1
8	11984	(S24000- )	Fitting, Elbow	1
9	08876	(S24000-S25376)	Replacement Kit, Cock	2
9	08873	(S25377- )	Valve, Ball	2
10	40585	(S24000- )	Fitting, Straight	1
11	03504	(S24000- )	Fuel Line	1
12	03503	(S24000- )	Fuel Line	1
13	46236	(S24000- )	Clamp, Cable	1
14	76736	(S24000- )	Clamp, Cable	3
15	62595-18	(S24000- )	Molding, Rigid	1
16	54333	(S24000- )	Clamp, Worm Drive	4
17	03505	(S24000- )	Hose, Fuel Line	2
18	45850	(S24000- )	Decal, Diesel Fuel Only	1
19	48144	(S24000- )	Fitting, Nipple	1
20	17413	(S25377- )	Fitting, Nipple	1

NOTE: To identify parts shown but not listed here, see Section 5, Standard Model Parts.



**Fig. 3 - Radiator Group, Diesel**

02918

Key	TENNANT® Part No.	Machine Serial Number	Description	Qty.
1	03498	(S24000- )	Radiator	1
2	48655	(S24000- )	Cap, Radiator	1
3	57475	(S24000- )	Bracket, Hydraulic Cooler	1
4	57128	(S24000- )	Angle, Radiator Mount	1
5	42227	(S24000- )	Fitting, Straight	1
6	42260	(S24000- )	Fitting, Straight	1
7	51305	(S24000- )	Cock, Drain	1
8	43844	(S24000- )	Clamp, Worm Drive	1
9	69276	(S24000- )	Hose, Vinyl	1
10	57490	(S24000- )	Deflector, Air	1
11	03473	(S24000- )	Mount, Air Deflector	1
12	69559	(S24000- )	Mount, Radiator	1
13	03499	(S24000- )	Hose, Radiator	1
14	11531	(S24000- )	Clamp, Worm Drive	4
15	16269	(S24000- )	Hose, Radiator	1
16	03514	(S24000- )	Shroud and Label Assembly	1

*NOTE: To identify parts shown but not listed here, see Section 5, Standard Model Parts.*



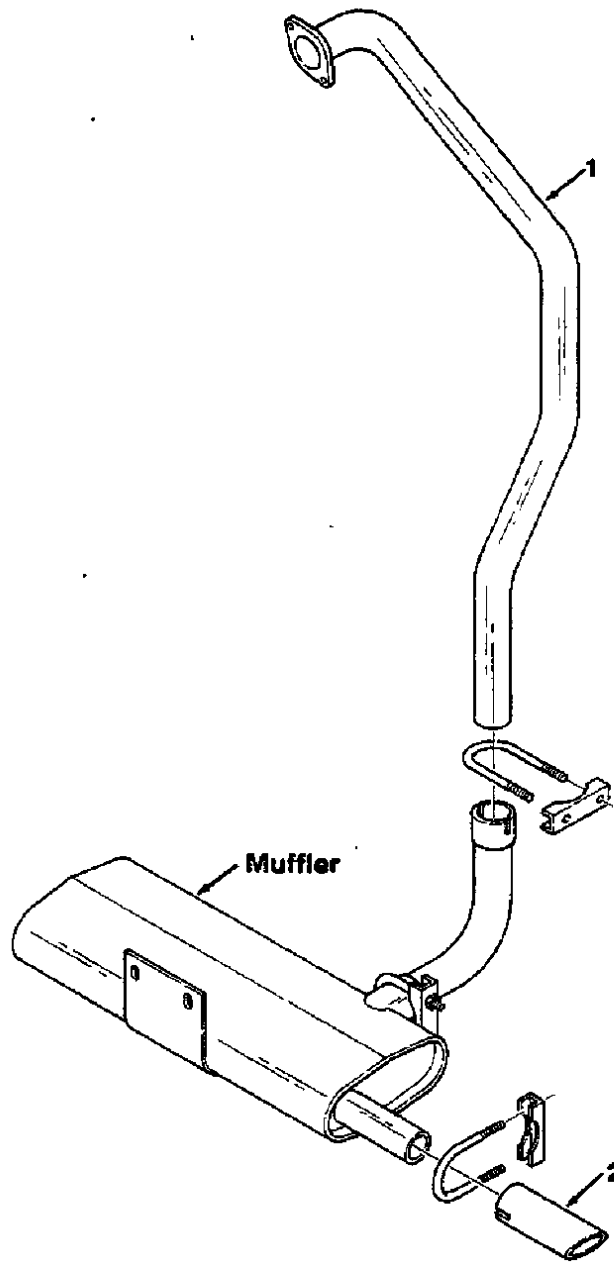
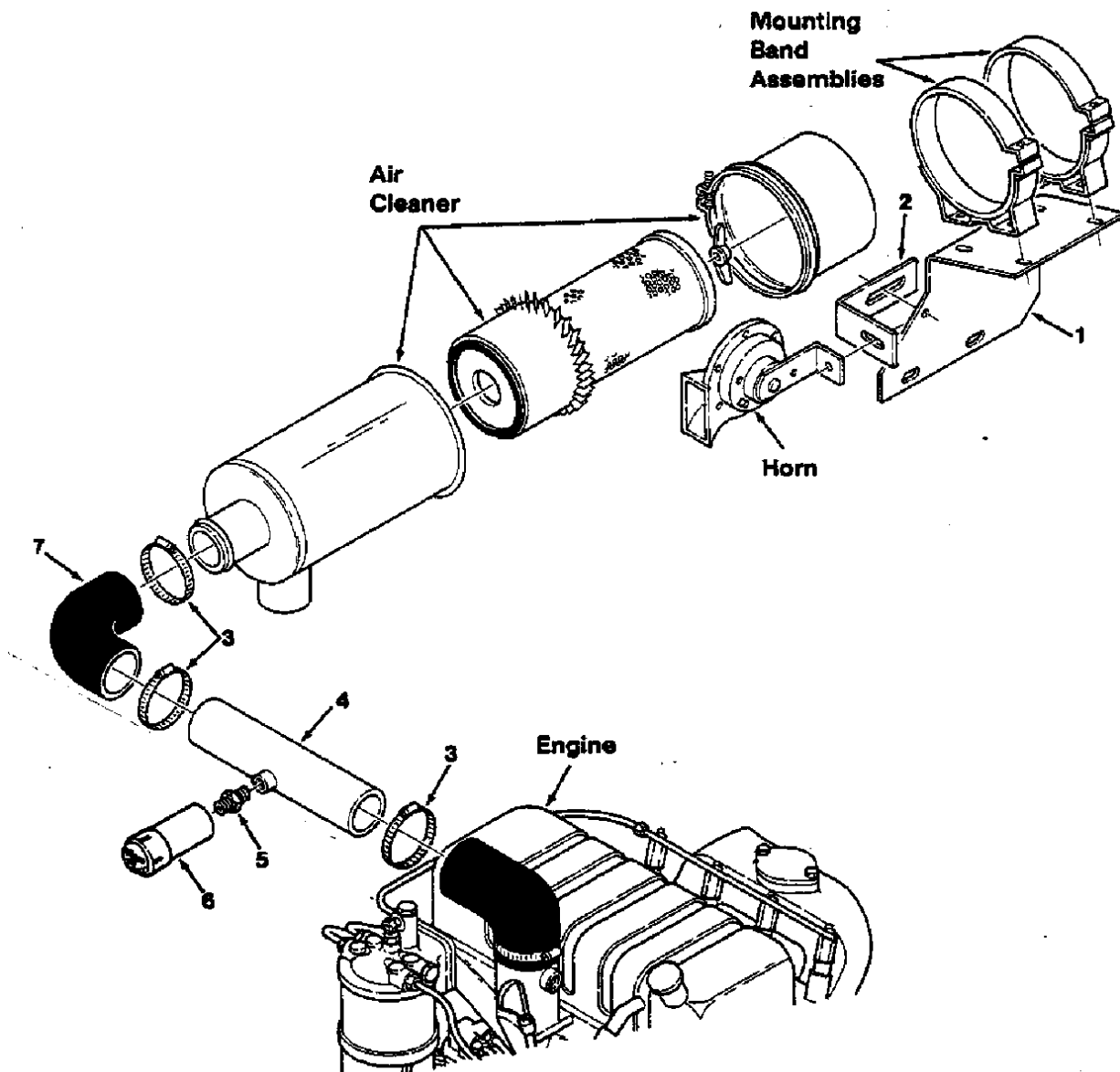


Fig. 4 - Muffler Group, Diesel

02910

Key	Tennant® Part No.	Machine Serial Number	Description	Qty.
1	57465	(S24000- )	Pipe, Exhaust	1
2	64107	(S24000- )	Pipe, Tail	1

NOTE: To identify parts shown but not listed here, see Section 5, Standard Model Parts.



**Fig. 5 - Air Cleaner Group, Diesel**

02913

Key	Tennant® Part No.	Machine Serial Number	Description	Qty.
1	57474	(S24000- )	Bracket, Air Cleaner	1
2	57128	(S24000- )	Angle	1
3	14432	(S24000- )	Clamp, Worm Drive	3
4	03469	(S24000- )	Tube, Air Intake	1
5	51560-5	(S24000- )	Filter, Service Indicator	1
6	03026	(S24000- )	Indicator, Filter Service	1
7	76825	(S24000- )	Elbow, Carburetor	1

*NOTE: To identify parts shown but not listed here, see Section 5, Standard Model Parts.*

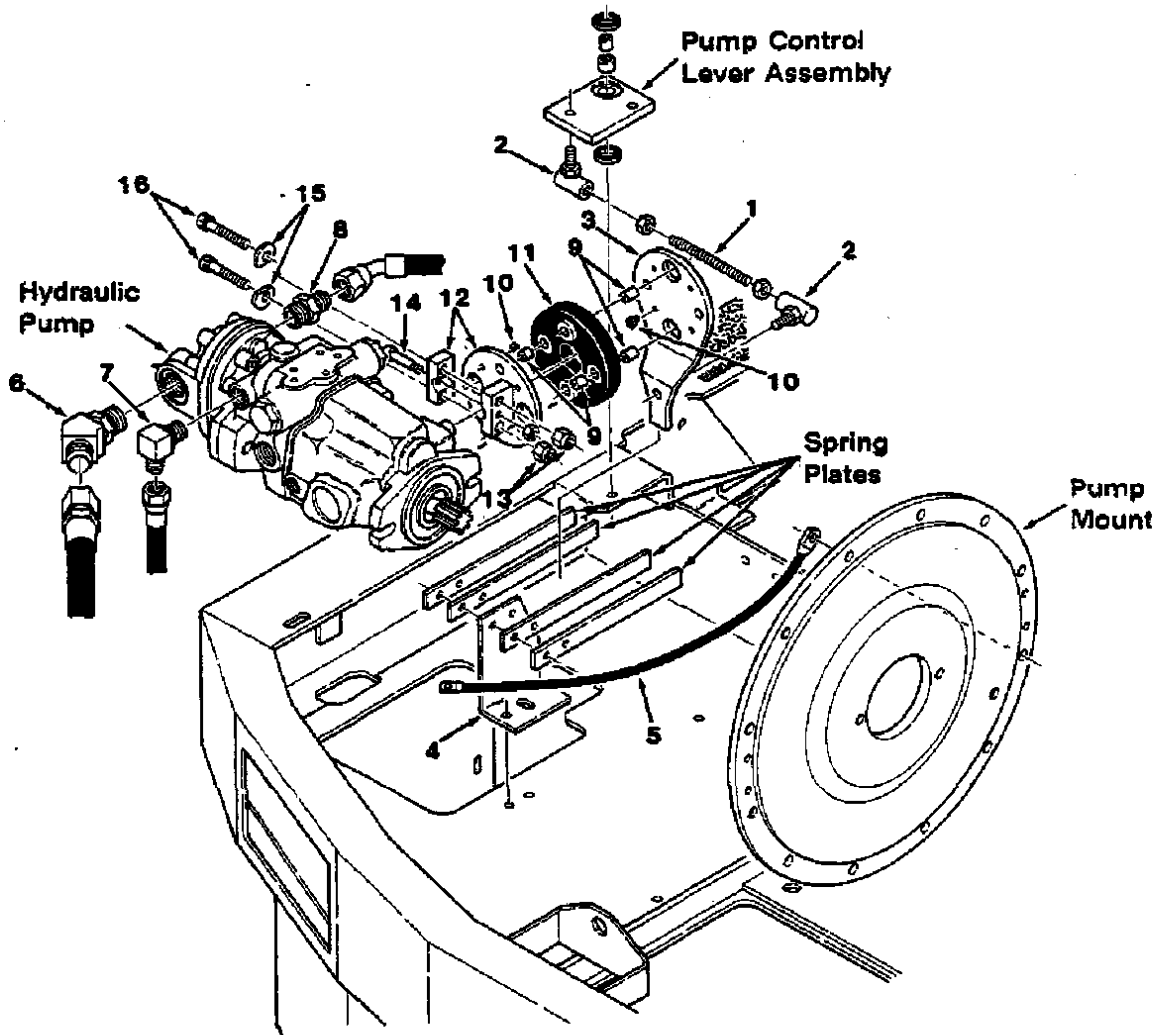
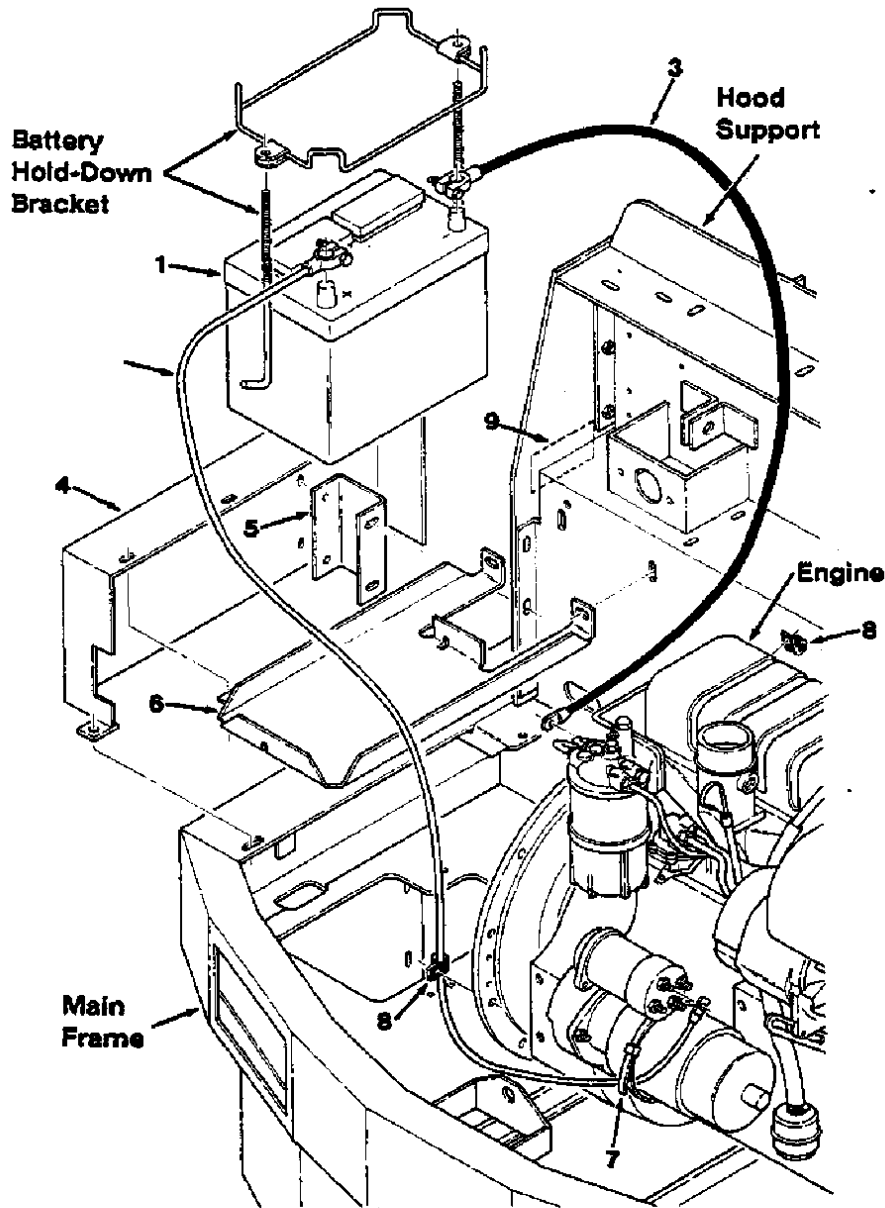


Fig. 6 - Directional Control and Pump Group, Diesel

02917

Key	Tennant® Part No.	Machine Serial Number	Description	Qty.
1	64553	(S24000- )	Stud	1
2	51531	(S24000- )	Ball Joint	2
3	03521	(S24000- )	Plate, Shaft Coupling	1
4	57387	(S24000- )	Bracket, Return Spring	1
5	57773	(S24000- )	Wire Assembly, Ground	1
6	57479	(S24000- )	Fitting, Elbow, 45°	1
7	47512	(S24000- )	Fitting, Elbow	1
8	56692	(S24000- )	Fitting, Straight	1
9	64991	(S24000- )	Sleeve	4
10	56855	(S24000- )	Bumper, Rubber	8
11	57875	(S24000- )	Coupling, Shaft	1
12	04081	(S24000- )	Coupling, L.H.	1
13	03556	(S24000- )	Nut, Self-Locking	2
14	31249	(S24000- )	Screw, Shoulder	1
15	09787	(S24000- )	Washer, Clipped	2
16	19580	(S24000- )	Screw, Socket	2

NOTE: To identify parts shown but not listed here, see Section 5, Standard Model Parts.



**Fig. 7 - Battery Group, Diesel**

02911

Key	Tennant® Part No.	Machine Serial Number	Description	Qty.
1	10143	(S24000- )	Battery, 540 CCA	1
2	68869	(S24000- )	Cable Assembly, Battery, Positive	1
3	68870	(S24000- )	Cable Assembly, Battery, Negative	1
4	57472	(S24000- )	Cover, Pump	1
5	57469	(S24000- )	Bracket, Pump Cover	1
6	57466	(S24000- )	Tray, Battery	1
7	32815	(S24000- )	Tie, Cable	1
8	49287	(S24000- )	Clamp, Cable	2
9	32399	(S24000- )	Decal, Maintenance Note	1

*NOTE: To identify parts shown but not listed here, see Section 5, Standard Model Parts.*

2

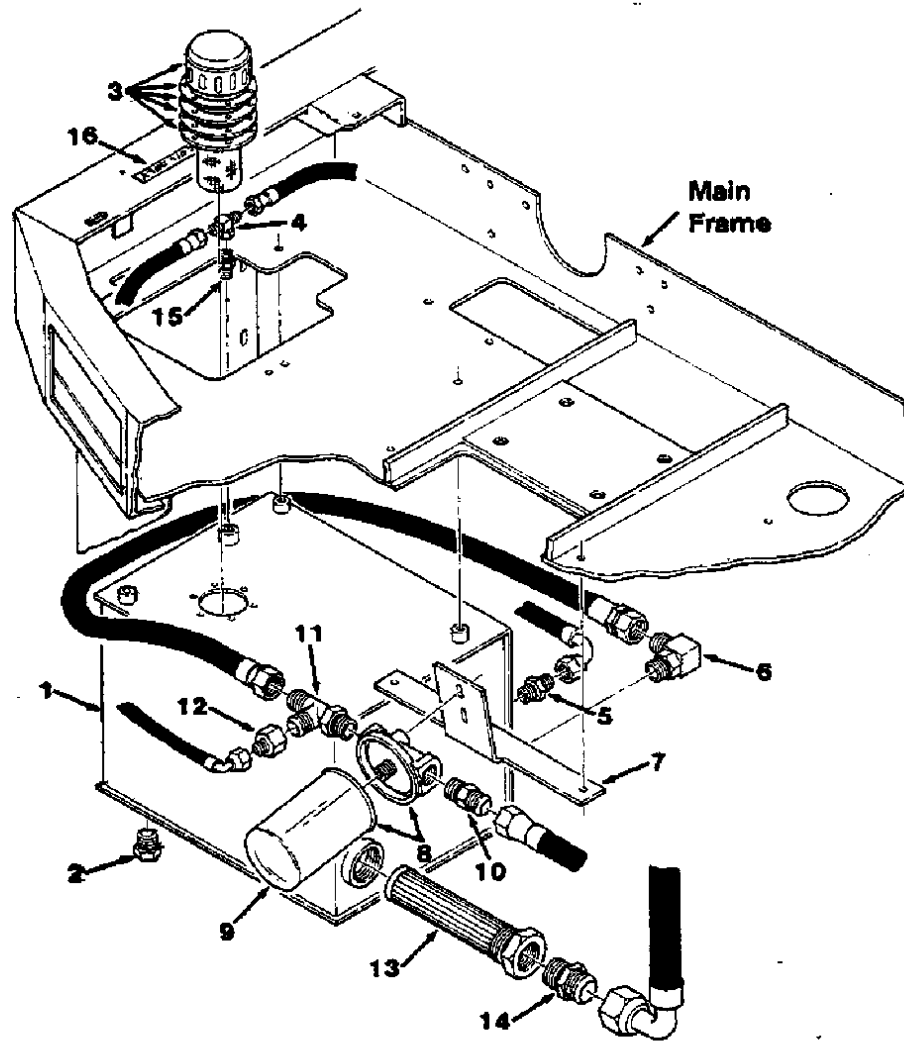
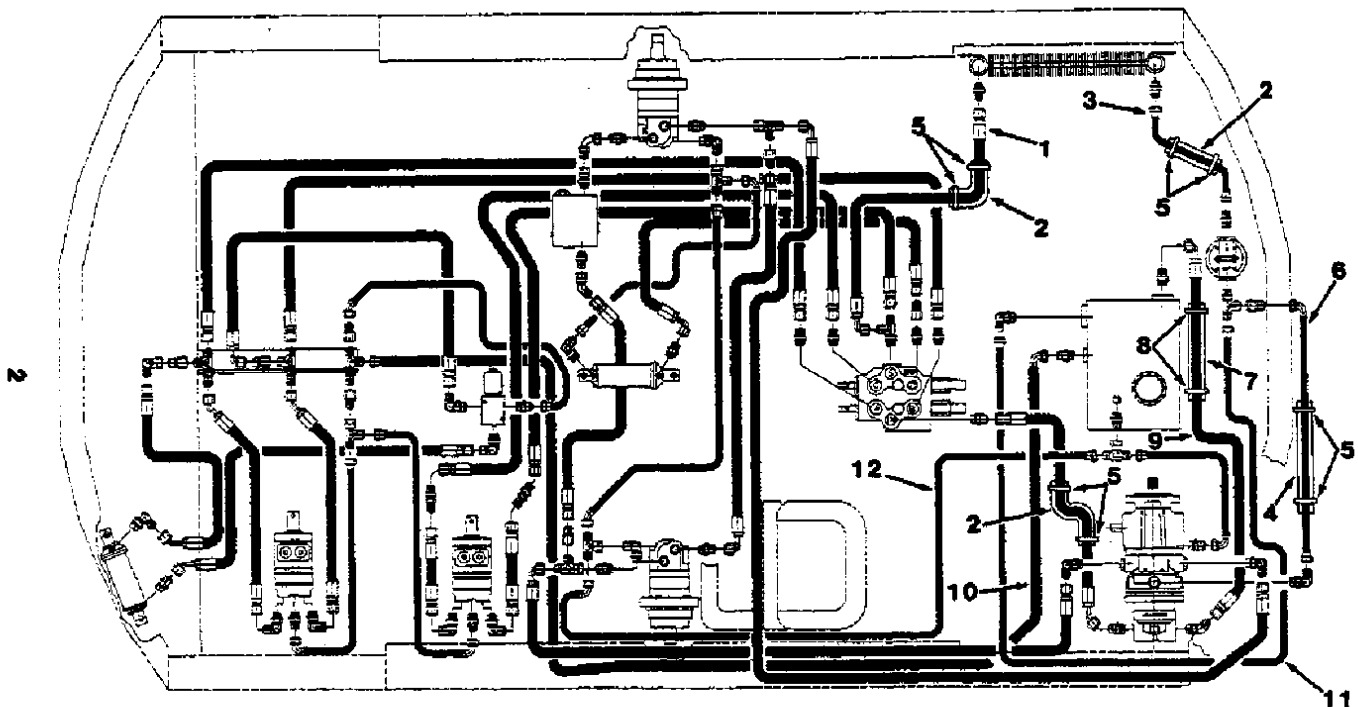


Fig. 8 - Hydraulic Reservoir Group, Diesel

02914

Key	Tennant® Part No.	Machine Serial Number	Description	Qty.
1	57384	(S24000- )	Reservoir Assembly, Hydraulic	1
2	40362	(S24000- )	Fitting, Plug	1
3	82780	(S24000- )	Breather, Filler	1
4	57411	(S24000- )	Fitting, Tee	1
5	44869	(S24000- )	Fitting, Straight	1
6	46481	(S24000- )	Fitting, Elbow	1
7	57464	(S24000-S25012)	Bracket, Oil Filter	1
7	03623	(S25013- )	Bracket, Oil Filter	1
8	55619	(S24000- )	Filter Assembly	1
9	55740	(S24000- )	Element, Filter	1
10	42260	(S24000- )	Fitting, Straight	1
11	42216	(S24000- )	Fitting, Tee	1
12	34375	(S24000- )	Fitting, Straight	1
13	82784	(S24000- )	Strainer, Suction	1
14	52929	(S24000- )	Fitting, Straight	1
15	55586	(S24000- )	Fitting, Straight	1
16	45851	(S24000- )	Decal, Hydraulic Oil Only	1



**Fig. 9 - Hydraulic Hose Group, Diesel**

02909

Key	Tennant® Part No.	Machine Serial Number	Description	Qty.
1	57487	(S24000- )	Hose, Hydraulic	1
2	31646	(S24000- )	Sleeve, Hydraulic Hose	3
3	57483	(S24000- )	Hose, Hydraulic	1
4	31647	(S24000- )	Sleeve, Hydraulic Hose	1
5	49266	(S24000- )	Tie, Cable	8
6	57486	(S24000- )	Hose, Hydraulic	1
7	34329	(S24000- )	Sleeve, Hydraulic Hose	1
8	49263	(S24000- )	Tie, Cable	2
9	57484	(S24000- )	Hose, Hydraulic	1
10	57489	(S24000- )	Hose, Hydraulic	1
11	57485	(S24000- )	Hose, Hydraulic	1
12	02549	(S24000- )	Hose, Hydraulic	1

*NOTE: To identify parts shown but not listed here, see Section 5, Standard Model Parts.*

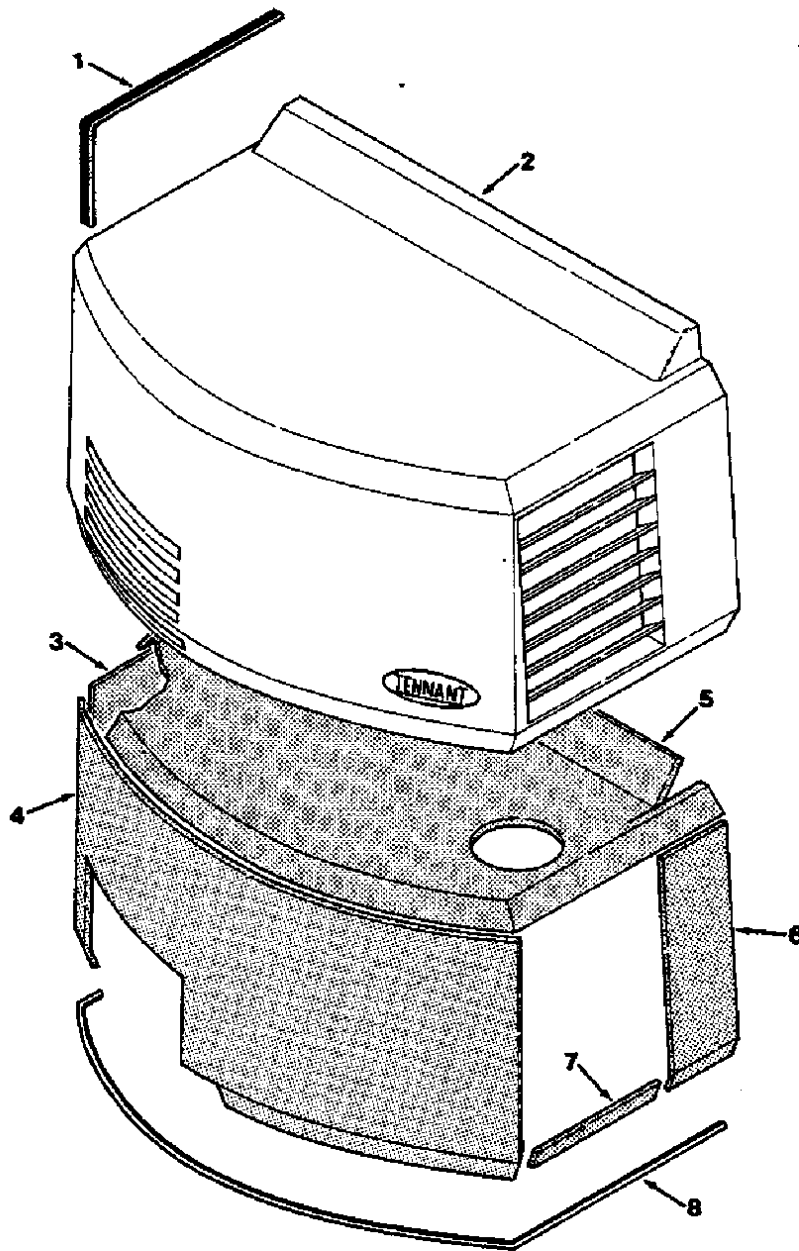
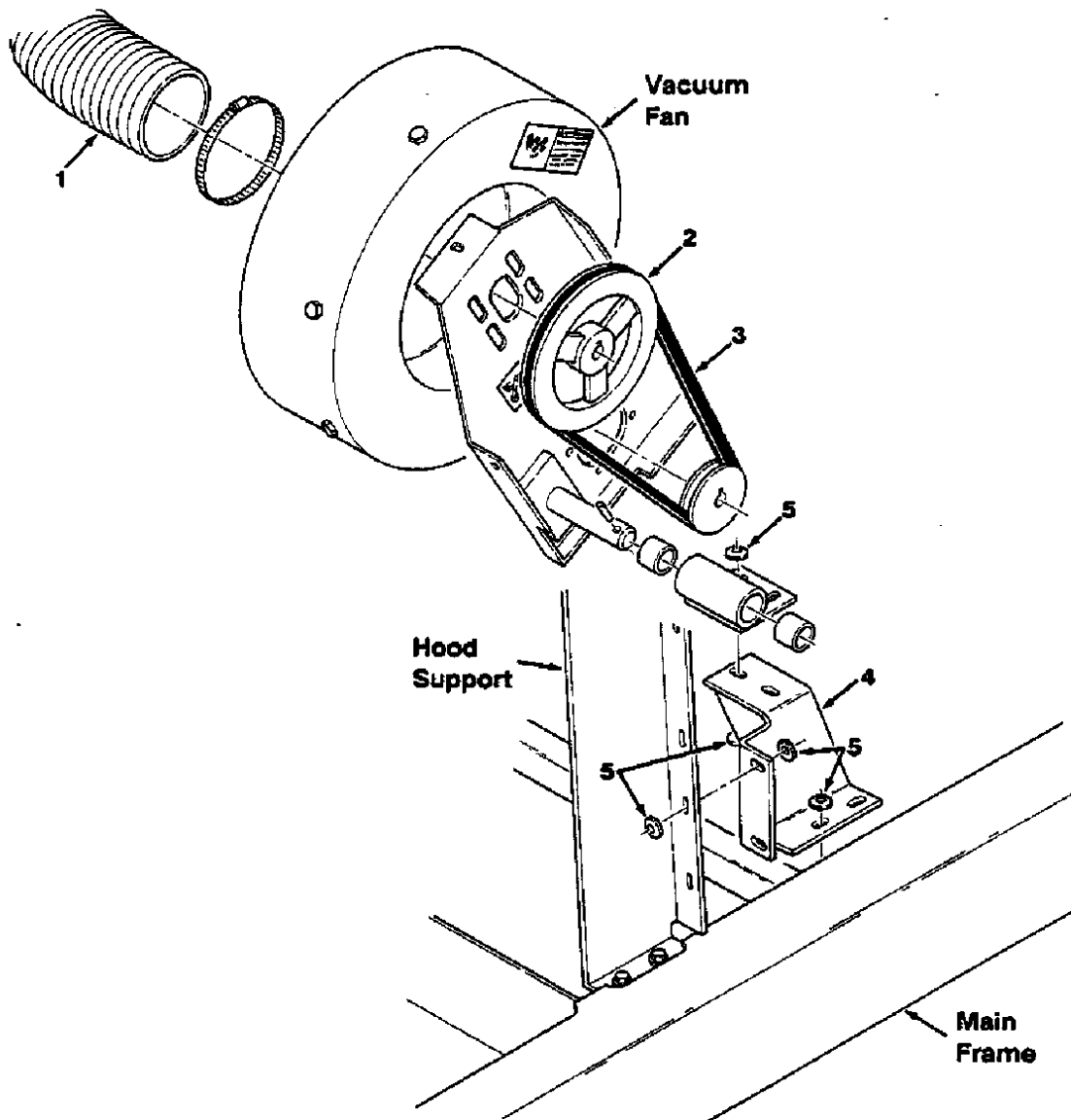


Fig. 10 - Engine Hood Assembly, Diesel

02908

Key	Tennant® Part No.	Machine Serial Number	Description	Qty.
1	46070-2	(S24000- )	Seal, Foam Rubber	1
2	57383	(S24000- )	Hood, Engine	1
3	16255	(S24000- )	Insulation, Hood	1
4	64186	(S24000- )	Insulation, Hood	1
5	64185	(S24000- )	Insulation, Hood	1
6	64183	(S24000- )	Insulation, Hood	1
7	64182	(S24000- )	Insulation, Hood	1
8	57510	(S24000- )	Seal	1



**Fig. 11 - Vacuum Fan Mount Group, Diesel**

02912

Key	Tennant® Part No.	Machine Serial Number	Description	Qty.
1	03509	(S24000- )	Duct, Flexible	1
2	03474	(S24000- )	Sheave, Fan	1
3	24925	(S24000- )	V-Belt	1
4	57462	(S24000- )	Bracket, Vacuum Fan	1
5	41186	(S24000- )	Washer, Belleville	12

*NOTE: To identify parts shown but not listed here, see Section 5, Standard Model Parts.*



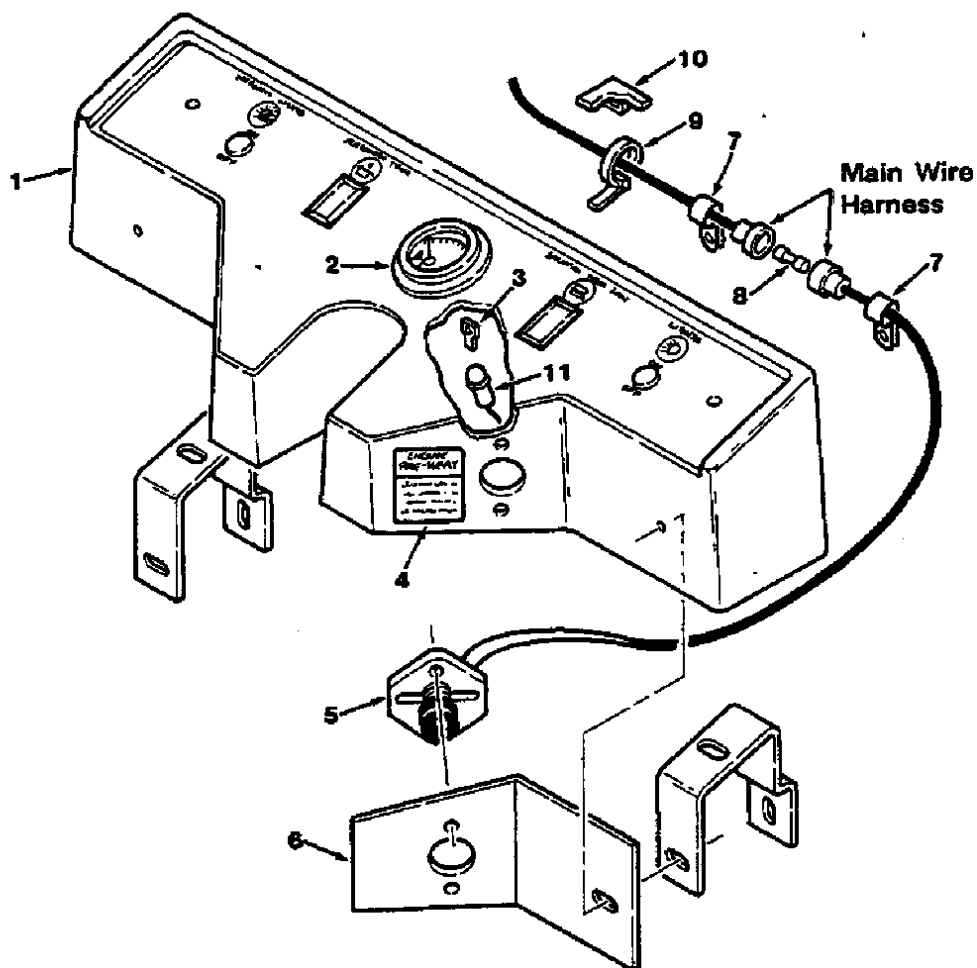


Fig. 12 - Instrument Panel Group, Diesel

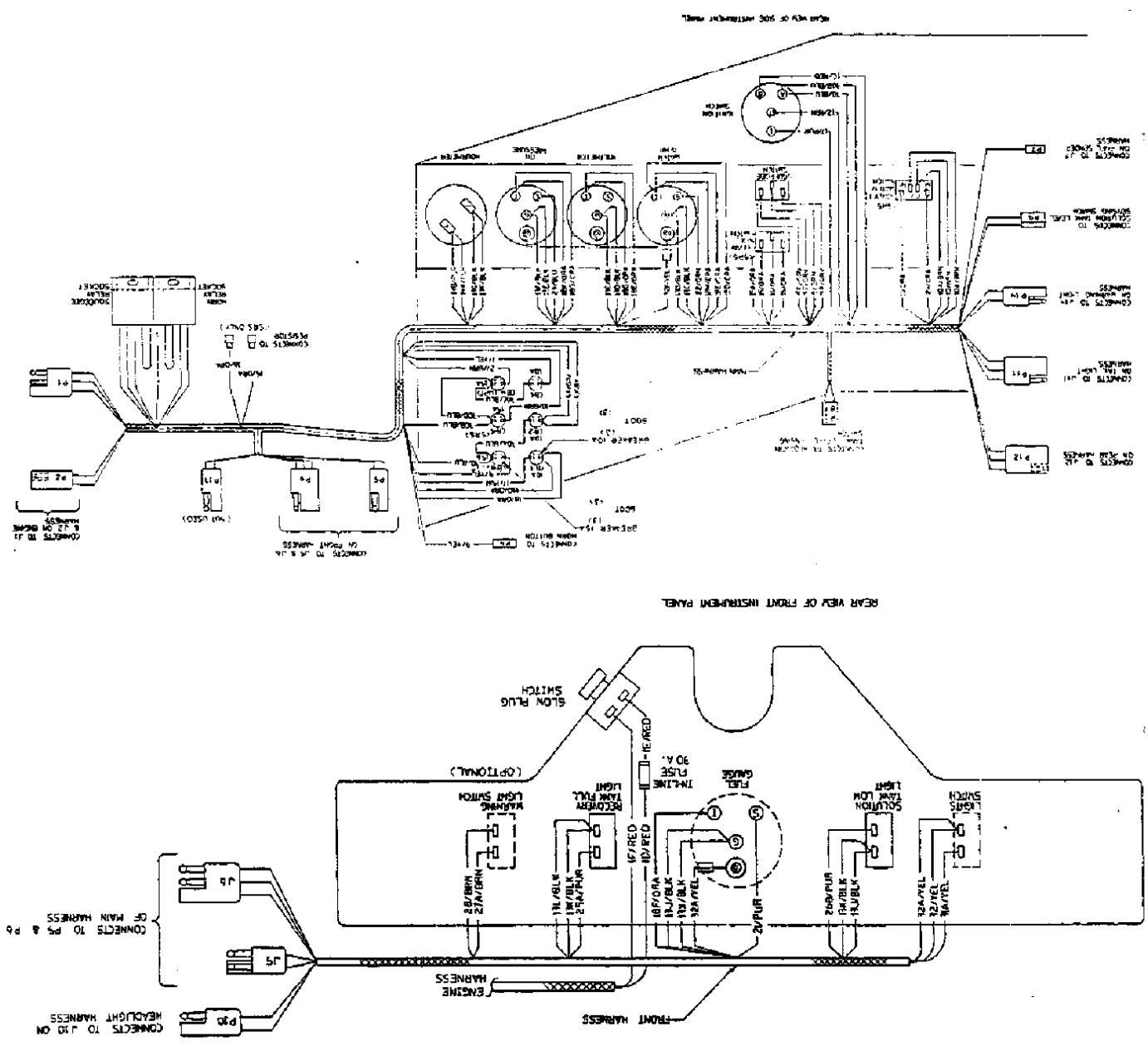
02907

Key	Tennant® Part No.	Machine Serial Number	Description	Qty.
1	03508	(S24000- )	Panel, Front Instrument	1
2	34813	(S24000- )	Gauge, Fuel	1
3	48252	(S24000- )	Terminal, Tab	2
4	57386	(S24000- )	Label, Engine Pre-Heat	1
5	44078	(S24000- )	Switch	1
6	57481	(S24000- )	Bracket, Switch	1
7	06777	(S24000- )	Clamp, Cable	2
8	45975	(S24000- )	Fuse, 30 A	1
9	49266	(S24000- )	Tie, Cable	3
10	55248	(S24000- )	Mount, Cable Tie	2
11	55271	(S24000- )	Light Assembly	1

NOTE: To identify parts shown but not listed here, see Section 5, Standard Model Parts.

NOTE: To identify parts shown but not listed here, see Section 5, Standard Model Parts.

Fig. 13 - Wire Harness Group, Diesel



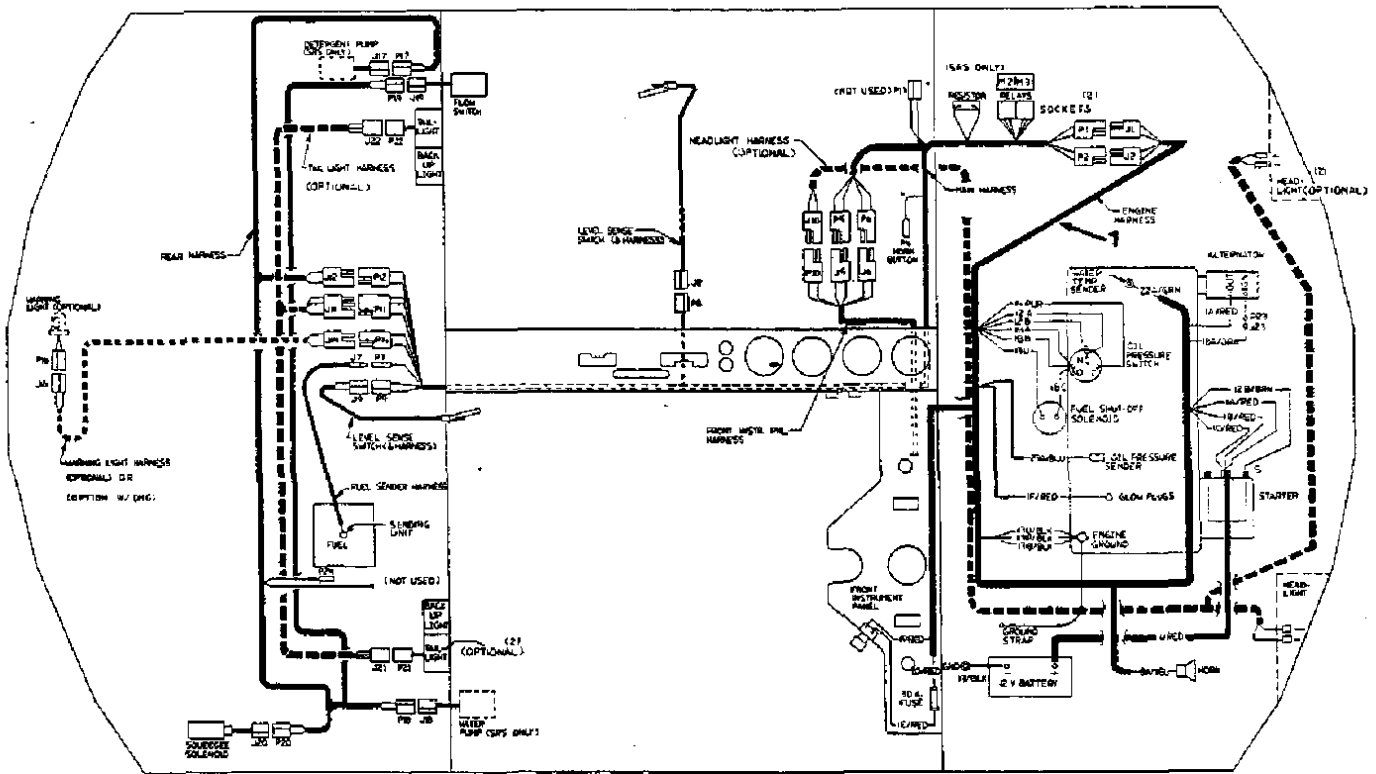


Fig. 13 - Wire Harness Group, Diesel

02915

Key	Tennant® Part No.	Machine Serial Number	Description	Qty.
1	57492	(S24000- )	Wire Harness, Engine	1
	40678	(S24000- )	Clamp, Cable 0.44" (11 mm) Dia	1
	76736	(S24000- )	Clamp, Cable 0.38" (9 mm) Dia	1

Home	Find...	Go To..		
------	---------	---------	---	---

---

# SECTION 8 SRS® MODEL PARTS

## CONTENTS

	Page
Ordering Repair Parts .....	8-1
Fig. 1 - Solution Supply Group, SRS® .....	8-2
Fig. 2 - Solution and Recovery Tank Group, SRS® .....	8-4
Fig. 3 - Instrument Panel Group, SRS® .....	8-6

*NOTE: Section 8, SRS® Parts, lists parts unique to Model 527 Series-2 SRS® machines.*



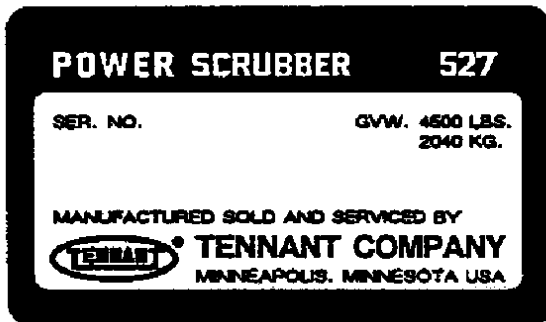
## ORDERING REPAIR PARTS

The components used in this machine have been carefully selected for performance and safety. Use only Tennant Company specified or equivalent parts.

To receive prompt service in filling of your parts orders, please direct all orders for parts with Tennant Company part numbers to the Tennant Company, and all orders for parts with vendor part numbers to the local supplier of the respective vendor.

When ordering parts, please furnish all of the following information:

1. Machine model number - shown on the machine data plate.



2. Machine serial number - shown on the machine data plate.
3. Power source - gasoline, LPG, diesel, electric.
4. Company name.
5. Shipping address.
6. Billing address.
7. Name, first and last - of person ordering parts.
8. Telephone number.
9. Purchase order number.
10. Part number, description, and quantity - of each item on the order.

Do not order parts by key number or the figure number of the illustrated parts. Indented items indicate parts of assemblies. Standard hardware is furnished only when part of a purchased assembly. Please get hardware from a local hardware supplier.

If the old part cannot be identified, send it to us with the quantity needed specified on the order.

Any claim for loss or damage to a shipment in transit should be filed promptly against the transportation company making the delivery. Shipments will be complete unless the packing list or order acknowledgement indicate items back ordered.

If parts received are suspected to be incorrect or defective, please write, wire, or phone the Tennant Company representative from whom you ordered the part. They will give authorization for return and/or handle replacement shipments when required.

## SERIAL NUMBER INFORMATION EXPLANATION

Serial number listings are shown to indicate on which machines each part can be used. These listings are explained by the following examples:

(000000- ) The part can be used on all machines.

(003342- ) The part can be used on all machines beginning with the serial number listed.

(000000-004320) The part can be used on all machines up to and including serial number listed.

(004321-005678) The part can be used on all machines between and including the serial numbers listed.

Where xxxxx's are listed in place of a serial number, it indicates a change was made but the exact serial number had not been established when the catalog went to press.

SI UNITS OF MEASURE  
(INTERNATIONAL SYSTEM)

Metric equivalents have been included, where applicable, throughout this parts catalog.

## FASTENER STRENGTH IDENTIFICATION

Fasteners required to have high-strength qualities equivalent to SAE Grade 8 are identified throughout this catalog by the description GR 8. Unless identified by this description, all standard fasteners are SAE Grade 5.

(Specifications and design subject to change without notice.)

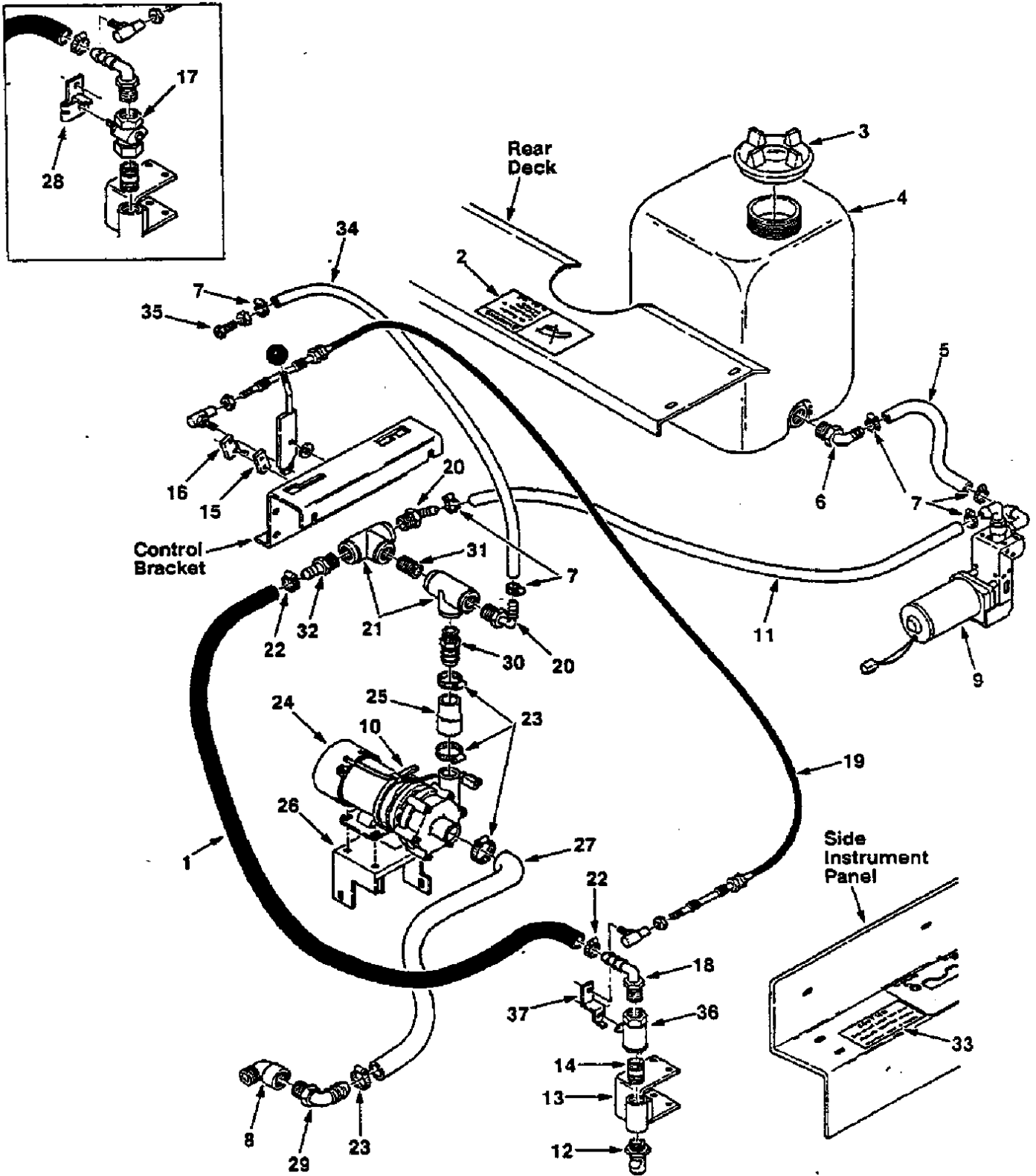


Fig. 1 - Solution Supply Group, SRS®

NOTE: To identify parts shown but not listed here, see Section 5, Standard Model Parts.



Fig. 1 - Solution Supply Group, SRS®

Key	TENNANT® Part No.	Machine Serial Number	Description	Qty.
1	57317	(S24000- )	Hose, Rubber	1
2	69708	(S24000- )	Decal, Warning, No Gasoline	1
3	57240	(S24000- )	Cap, Detergent Tank	1
4	57115	(S24000- )	Tank, Detergent	1
5	51795	(S24000- )	Hose, Rubber	1
6	57248	(S24000- )	Fitting, Elbow	1
7	43844	(S24000- )	Clamp, Worm Drive	6
8	69785	(S24000- )	Fitting, Elbow	1
9	16485	(S24000- )	Pump, Detergent	1
10	44961	(S24000- )	Tie, Cable	1
11	79610	(S24000- )	Hose, Vinyl	1
12	79606	(S24000- )	Nozzle, Floodjet	1
13	79607	(S24000- )	Mount, Nozzle	1
14	28298	(S24000- )	Fitting, Nipple	1
15	69203	(S24000- )	Strip	1
16	20625	(S24000- )	Switch	1
17	12057	(S24000-S25636)	Valve Replacement Kit	1
18	40145	(S24000- )	Fitting, Elbow, Barbed	1
19	69494-2	(S24000- )	Cable Assembly, Push-Pull	1
20	79484	(S24000- )	Fitting, Elbow, Barbed	2
21	42133A	(S24000- )	Fitting, Tee	2
22	63810	(S24000- )	Clamp, Worm Drive	2
23	11399	(S24000- )	Clamp, Worm Drive	4
24	03838	(S24000- )	Pump, Solution	1
25	57377	(S24000- )	Hose, Solution	1
26	18593	(S24000- )	Mount, Pump	1
27	57378	(S24000- )	Hose, Solution	1
28	64785	(S24000-S25636)	Arm, Strip	1
29	18595	(S24000- )	Fitting, Elbow, Barbed	1
30	57379	(S24000- )	Fitting, Straight, Barbed	1
31	69784	(S24000- )	Fitting, Nipple	1
32	79273-2	(S24000- )	Fitting, Straight, Barbed	1
33	02586	(S24000- )	Label, Instrument, Pump Lever Model	1
34	68301	(S24000- )	Hose, Vinyl	1
35	57442	(S24000- )	Orifice	1
36	12770	(S25637- )	Valve, Water	1
37	12068	(S25637- )	Arm, Water Valve	1

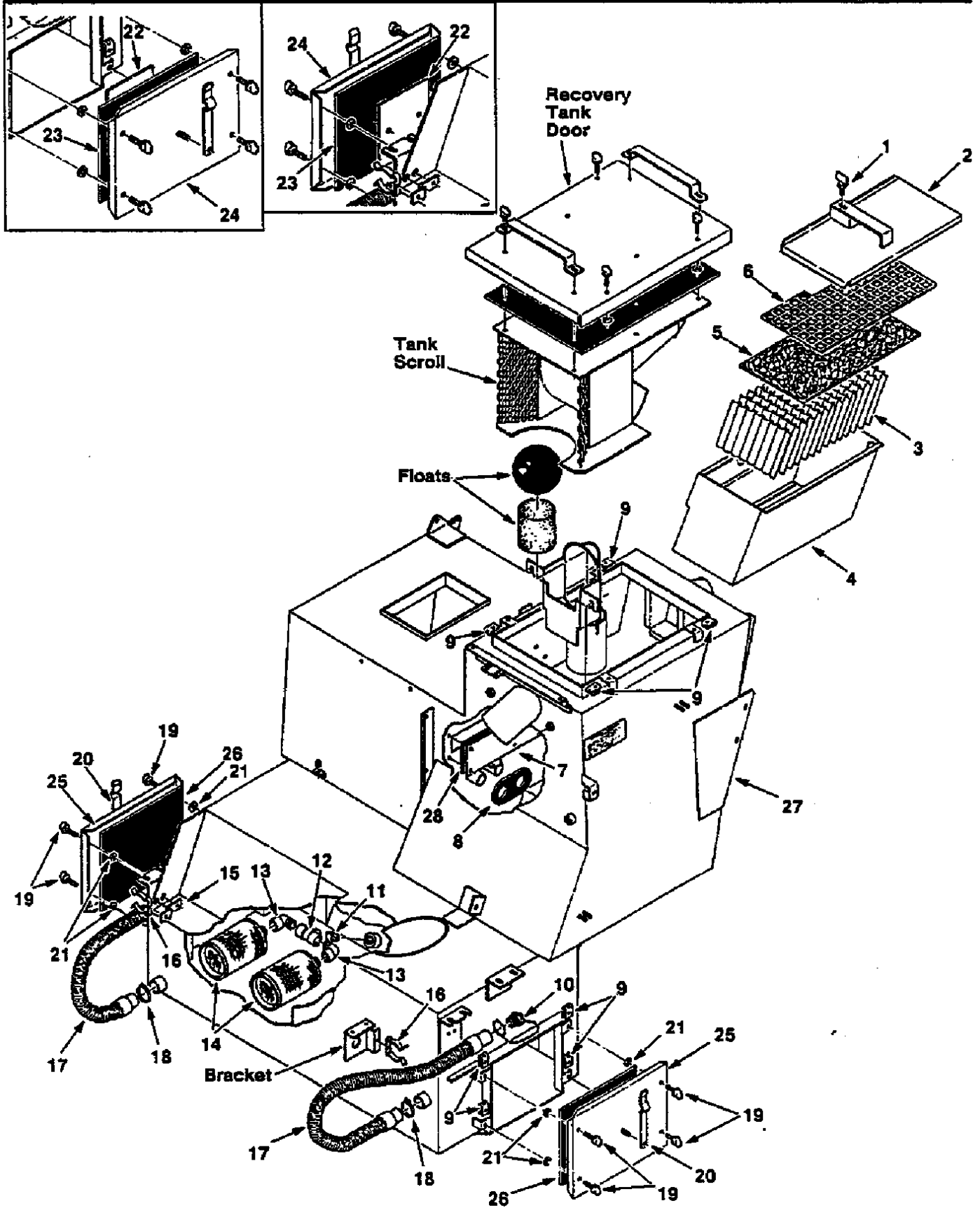
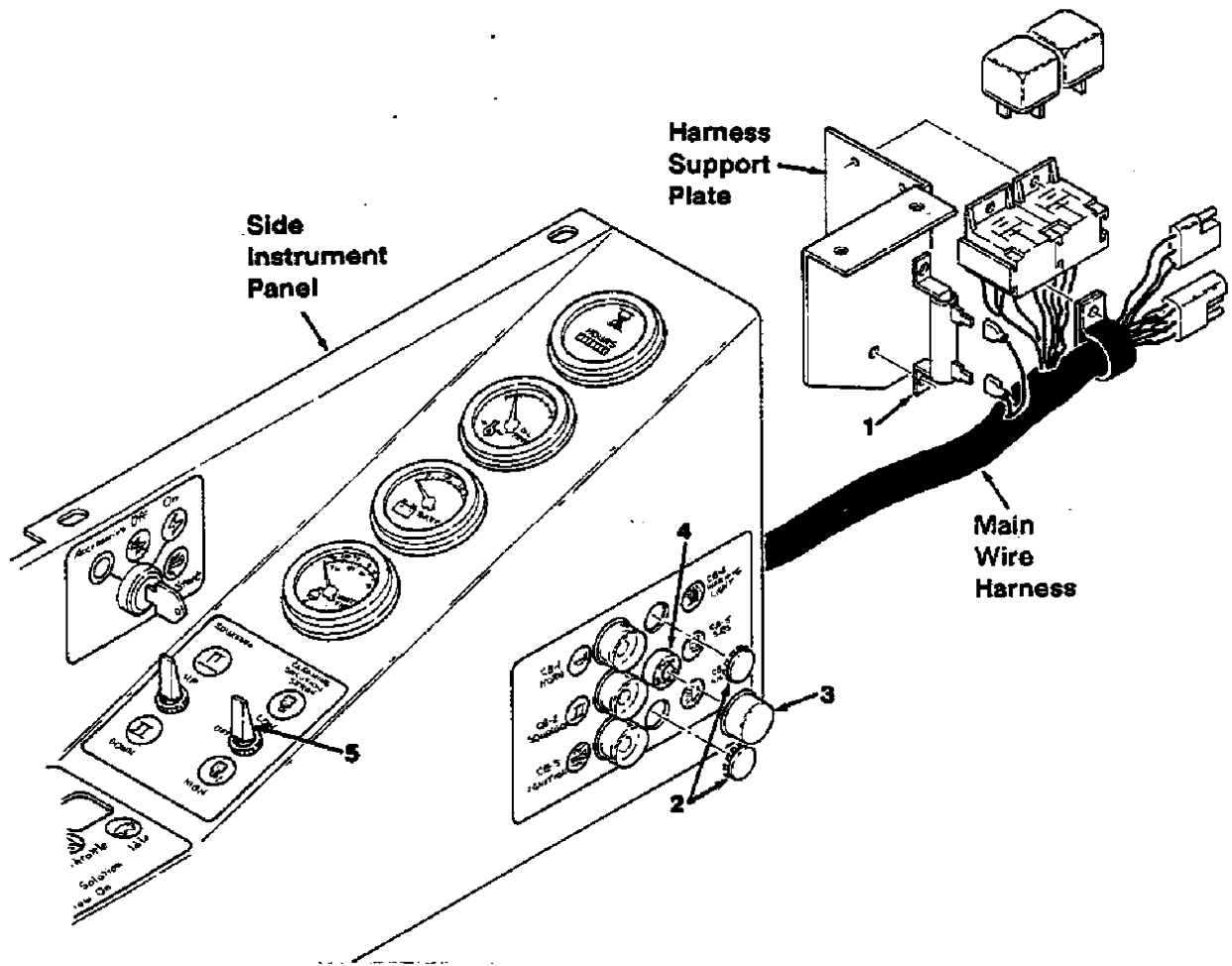


Fig. 2 - Solution and Recovery Tank Group, SRS®

NOTE: To identify parts shown but not listed here, see Section 5, Standard Model Parts.

Fig. 2 - Solution and Recovery Tank Group, SRS®

Key	TENNANT® Part No.	Machine Serial Number	Description	Qty.
1	69649	(S24000- )	Nut, Wing	1
	64677	(S24000- )	Filter Assembly, Laminar Flow	1
2	64003	(S24000- )	Cover, Filter	1
3	64010	(S24000- )	Laminar Flow Tubes	1
4	64014	(S24000- )	Housing, Filter	1
5	03593	(S24000- )	Filter	1
6	03594	(S24000- )	Screen	1
7	64016	(S24000- )	Plate, Tank Divider	1
8	69639	(S24000- )	Seal, Vent Tube	1
9	28165	(S24000- )	Fastener	12
10	56505	(S24000- )	Plug, Expandable	2
11	69784	(S24000- )	Fitting, Nipple	1
12	42133A	(S24000- )	Fitting, Tee	1
13	69785	(S24000- )	Fitting, Elbow	2
14	79424	(S24000- )	Screen, Solution	2
15	69612	(S24000- )	Bracket, Clip Mounting	1
16	67004	(S24000- )	Clip, Finger Grip	2
17	57482	(S24000- )	Hose, Drain	2
18	11531	(S24000- )	Clamp, Worm Drive	2
	64866	(S24000- )	Cover Assembly, Tank	2
19	43460	(S24000- )	Fastener, Winghead	4
20	69637	(S24000- )	Spring, Drain Hose	1
21	26015	(S24000- )	Fastener	4
22	75048	(S24000-S25301)	Strip	1
23	78802	(S24000-S25301)	Gasket	1
24	03605	(S24000-S25301)	Door	1
25	03600	(S25302- )	Door	1
26	03601	(S25302- )	Gasket	1
27	57300	(S24000- )	Tank, Solution and Recovery	1
28	64015	(S24000- )	Seal, Tank Divider	1



**Fig. 3 - Instrument Panel Group, SRS®**

02511

Key	Tennant® Part No.	Machine Serial Number	Description	Qty.
1	57163	(S24000- )	Resistor, 6 OHM	1
2	57167	(S24000- )	Plugbutton	2
3	57751	(S24000- )	Boot, Circuit Breaker	1
4	57803	(S24000- )	Breaker, Circuit	1
5	63285	(S24000- )	Switch, Toggle	1

*NOTE: To identify parts shown but not listed here, see Section 5, Standard Model Parts.*

---

# SECTION 9 ACCESSORIES

## CONTENTS

	Page
Ordering Repair Parts .....	9-1
Fig. 1 - Headlight and Taillight Kit .....	9-2
Fig. 2 - Headlight and Taillight Group, Diesel .....	9-3
Fig. 3 - Flashing Light Kit .....	9-4
Fig. 4 - Revolving Light Kit .....	9-5
Fig. 5 - Side Guard Group .....	9-6
Fig. 6 - Fuel Gauge Kit .....	9-7
Fig. 7 - Protectoseal Fuel Tank Cap Kit ...	9-7
Fig. 8 - Level Sensing Plug Kit .....	9-8
Fig. 9 - Vent Plug Kit, SRS® .....	9-8
Fig. 10 - Solution Tank Drain Kit .....	9-9
Fig. 11 - Fire Extinguisher Kit .....	9-9
Fig. 12 - Seat Belt Kit .....	9-10
Fig. 13 - Demo Kit .....	9-10
Fig. 14 - LPG Fuel Tanks Group .....	9-11
Fig. 15 - Vacuum Wand Kit .....	9-12

*NOTE: Section 9, Accessories, lists repair parts included as part of the available accessories.*

---

Home

Find...

Go To..





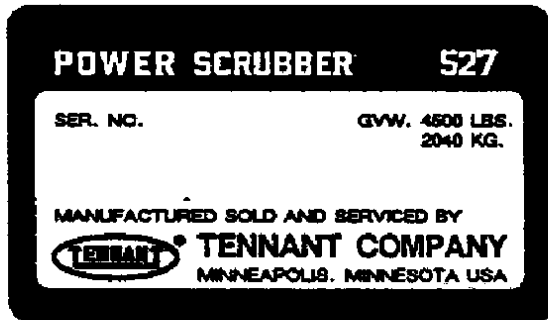
## ORDERING REPAIR PARTS

The components used in this machine have been carefully selected for performance and safety. Use only Tennant Company specified or equivalent parts.

To receive prompt service in filling of your parts orders, please direct all orders for parts with Tennant Company part numbers to the Tennant Company, and all orders for parts with vendor part numbers to the local supplier of the respective vendor.

When ordering parts, please furnish all of the following information:

1. Machine model number - shown on the machine data plate.



2. Machine serial number - shown on the machine data plate.
3. Power source - gasoline, LPG, diesel, electric.
4. Company name.
5. Shipping address.
6. Billing address.
7. Name, first and last - of person ordering parts.
8. Telephone number.
9. Purchase order number.
10. Part number, description, and quantity - of each item on the order.

Do not order parts by key number or the figure number of the illustrated parts. Indented items indicate parts of assemblies. Standard hardware is furnished only when part of a purchased assembly. Please get hardware from a local hardware supplier.

If the old part cannot be identified, send it to us with the quantity needed specified on the order.

Any claim for loss or damage to a shipment in transit should be filed promptly against the transportation company making the delivery. Shipments will be complete unless the packing list or order acknowledgement indicate items back ordered.

If parts received are suspected to be incorrect or defective, please write, wire, or phone the Tennant Company representative from whom you ordered the part. They will give authorization for return and/or handle replacement shipments when required.

## SERIAL NUMBER INFORMATION EXPLANATION

Serial number listings are shown to indicate on which machines each part can be used. These listings are explained by the following examples:

(000000- ) The part can be used on all machines.

(003342- ) The part can be used on all machines beginning with the serial number listed.

(000000-004320) The part can be used on all machines up to and including serial number listed.

(004321-005678) The part can be used on all machines between and including the serial numbers listed.

Where xxxxxx's are listed in place of a serial number, it indicates a change was made but the exact serial number had not been established when the catalog went to press.

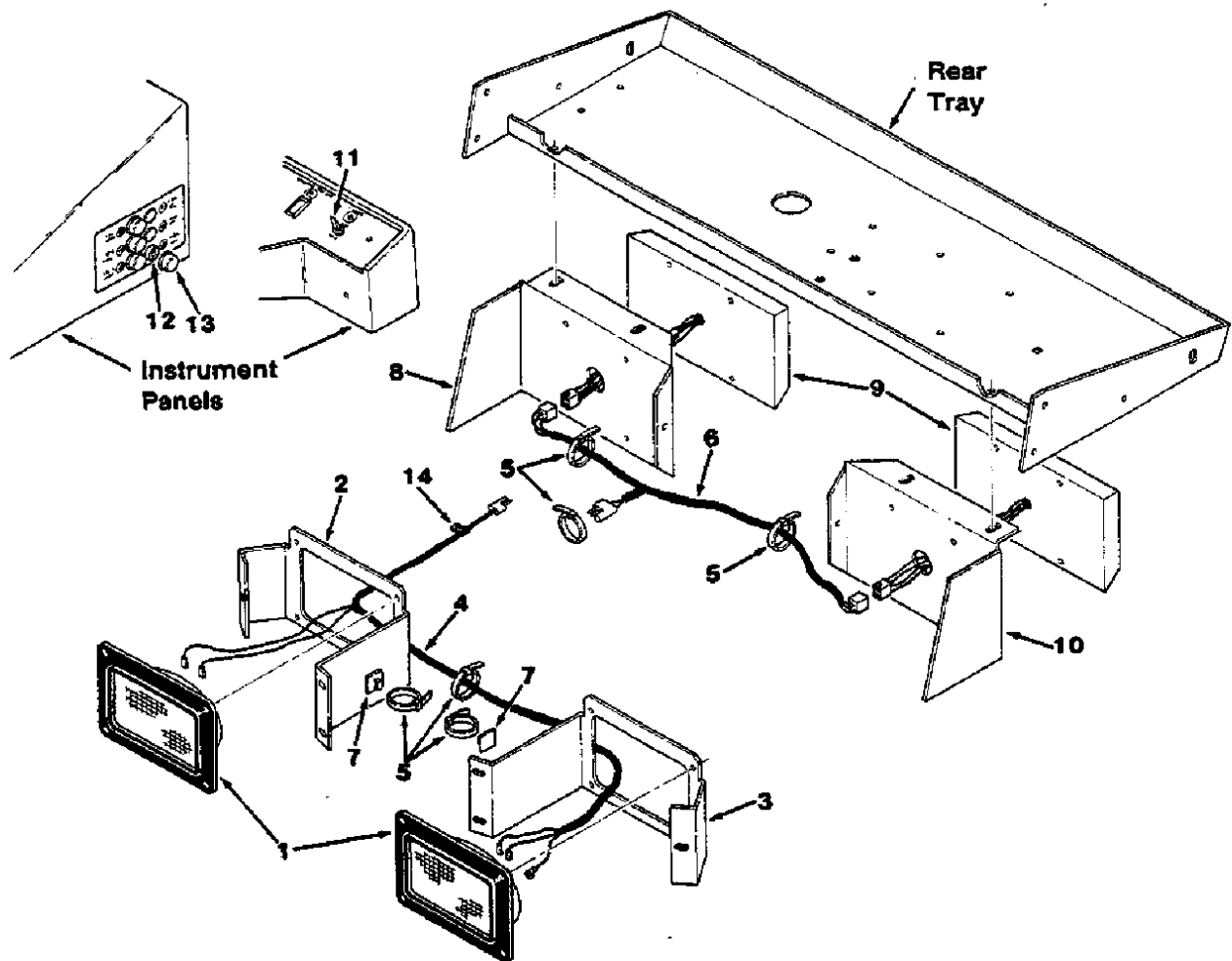
SI UNITS OF MEASURE  
(INTERNATIONAL SYSTEM)

Metric equivalents have been included, where applicable, throughout this parts catalog.

## FASTENER STRENGTH IDENTIFICATION

Fasteners required to have high-strength qualities equivalent to SAE Grade 8 are identified throughout this catalog by the description GR 8. Unless identified by this description, all standard fasteners are SAE Grade 5.

(Specifications and design subject to change without notice.)



**Fig. 1 - Headlight and Taillight Kit**

02509

Key	Tennant® Part No.	Machine Serial Number	Description	Qty.
	57331	(S24000- )	Headlight and Taillight Kit	1
1	58524	(S24000- )	Headlight	2
2	57213	(S24000- )	Bracket, Headlight Mount, R.H.	1
3	57214	(S24000- )	Bracket, Headlight Mount, L.H.	1
4	57138	(S24000- )	Wire Harness, Headlight	1
5	49266	(S24000- )	Tie, Cable	7
6	57144	(S24000- )	Wire Harness, Taillight	1
7	55248	(S24000- )	Mount, Cable Tie	2
8	64105-1	(S24000- )	Bracket, Taillight, R.H.	1
9	64832	(S24000- )	Taillight Assembly	2
	45779	(S24000- )	Bulb	1
	45780	(S24000- )	Bulb	1
10	64105	(S24000- )	Bracket, Taillight, L.H.	1
11	63266	(S24000- )	Switch	1
12	57803	(S24000- )	Circuit Breaker	1
13	57751	(S24000- )	Boot, Circuit Breaker	1
14	46236	(S24000- )	Clamp, Cable	1

*NOTE: To identify parts shown but not listed here, see Section 5, Standard Model Parts.*



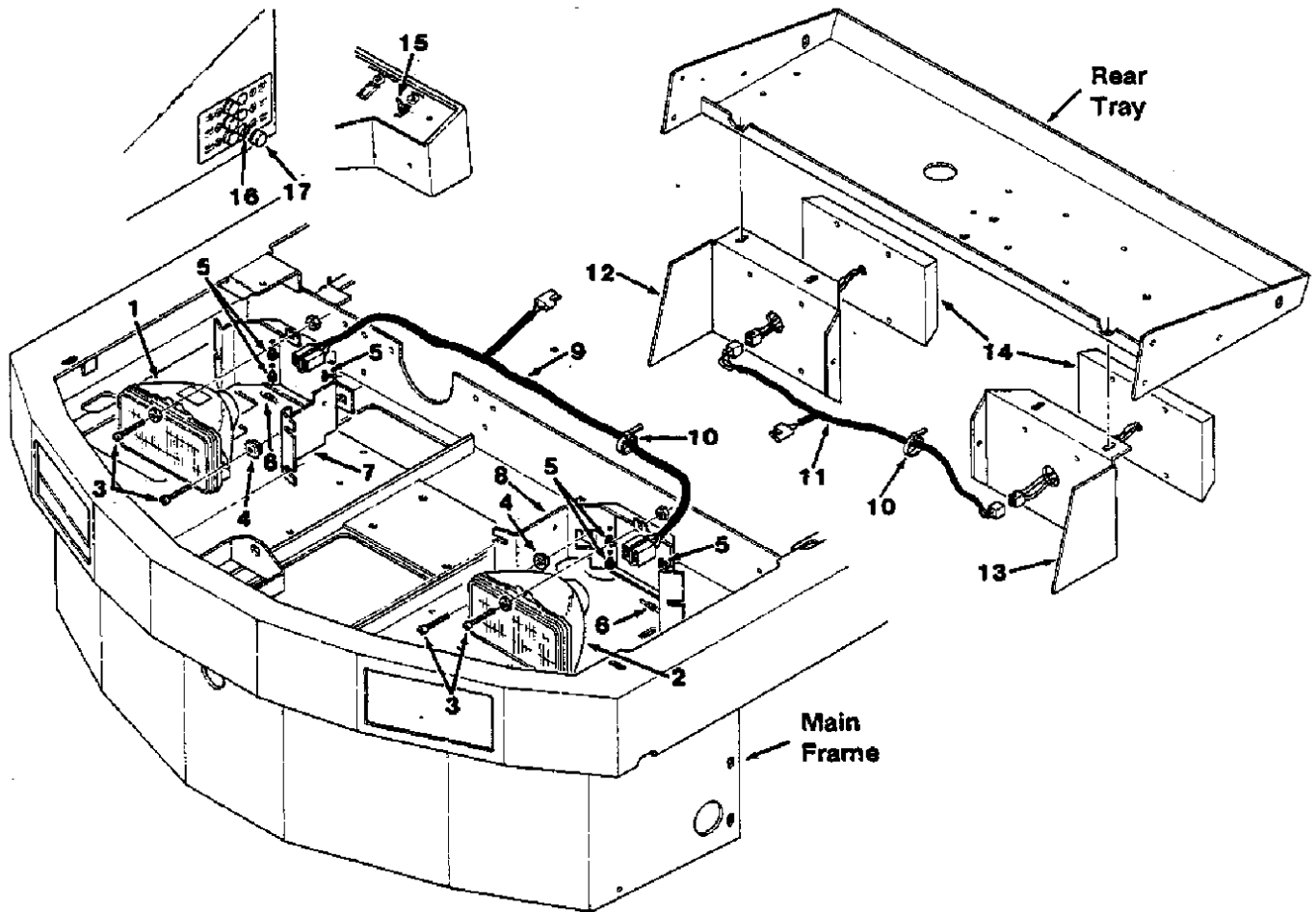
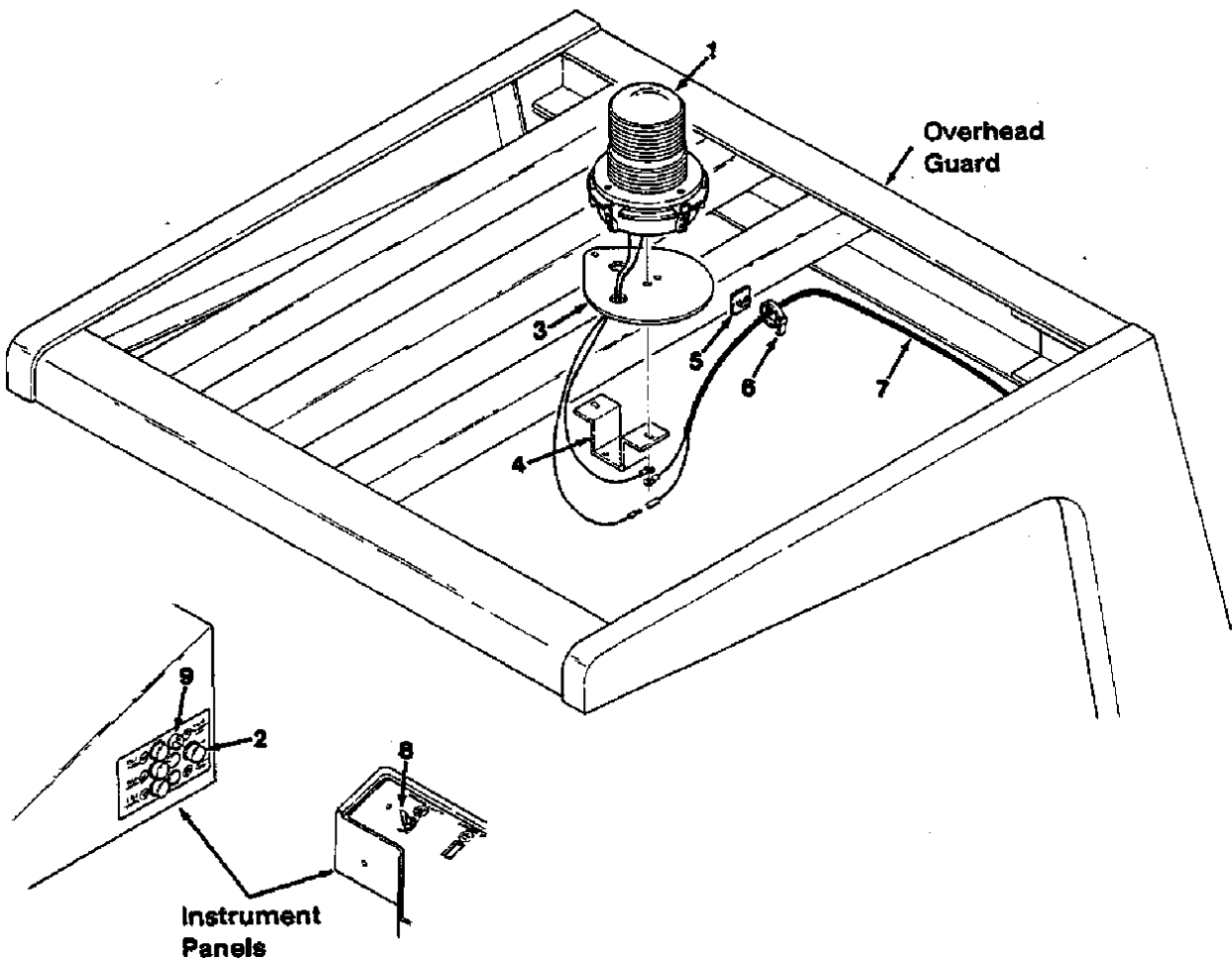


Fig. 2 - Headlight and Taillight Group, Diesel

02905

Key	Tennant® Part No.	Machine Serial Number	Description	Qty.
1	64080	(S24000- )	Headlight Assembly	1
	69588	(S24000- )	Lamp	1
2	64070	(S24000- )	Headlight Assembly	1
	69588	(S24000- )	Lamp	1
3	64758	(S24000- )	Screw, Adjusting	4
4	64759	(S24000- )	Nut, Adjusting	2
5	51787	(S24000- )	Bumper, Rubber	8
6	43672	(S24000- )	Spring, Tension	2
7	16344	(S24000- )	Bracket, R.H.	1
8	64840	(S24000- )	Bracket, L.H.	1
9	57493	(S24000- )	Wire Harness, Headlight	1
10	49266	(S24000- )	Tie, Cable	7
11	57144	(S24000- )	Wire Harness, Taillight	1
12	64105-†	(S24000- )	Bracket, Taillight, R.H.	1
13	64105	(S24000- )	Bracket, Taillight, L.H.	1
14	64832	(S24000- )	Taillight Assembly	2
	45779	(S24000- )	Bulb	1
	45780	(S24000- )	Bulb	1
15	63266	(S24000- )	Switch	1
16	57803	(S24000- )	Breaker, Circuit, 15 A	1
17	57751	(S24000- )	Boot, Circuit Breaker	1

NOTE: To identify parts shown but not listed here, see Section 5, Standard Model Parts.



**Fig. 3 - Flashing Light Kit**

02529

Key	Tennant® Part No.	Machine Serial Number	Description	Qty.
1	57414	(S24000- )	Light Kit, Flashing Amber	1
	82063	(S24000- )	Light Assembly, Flashing Amber	1
	45779	(S24000- )	Bulb	1
	58520	(S24000- )	Lens, Amber	1
2	57751	(S24000- )	Boot, Circuit Breaker	1
	<hr/>			
3	57220	(S24000- )	Plate, Mount	1
4	57218	(S24000- )	Bracket, Mount	1
5	55248	(S24000- )	Mount, Cable Tie	6
6	49266	(S24000- )	Tie, Cable	8
7	57341	(S24000- )	Wire Harness, Overhead Guard	1
<hr/>				
7	57141	(S24000- )	Wire Harness, Deck	1
8	63266	(S24000- )	Switch	1
9	57803	(S24000- )	Circuit Breaker	1
	58519	(S24000- )	Lens, Blue	1
	58518	(S24000- )	Lens, Red	1

*NOTE: To identify parts shown but not listed here, see Section 5, Standard Model Parts.*

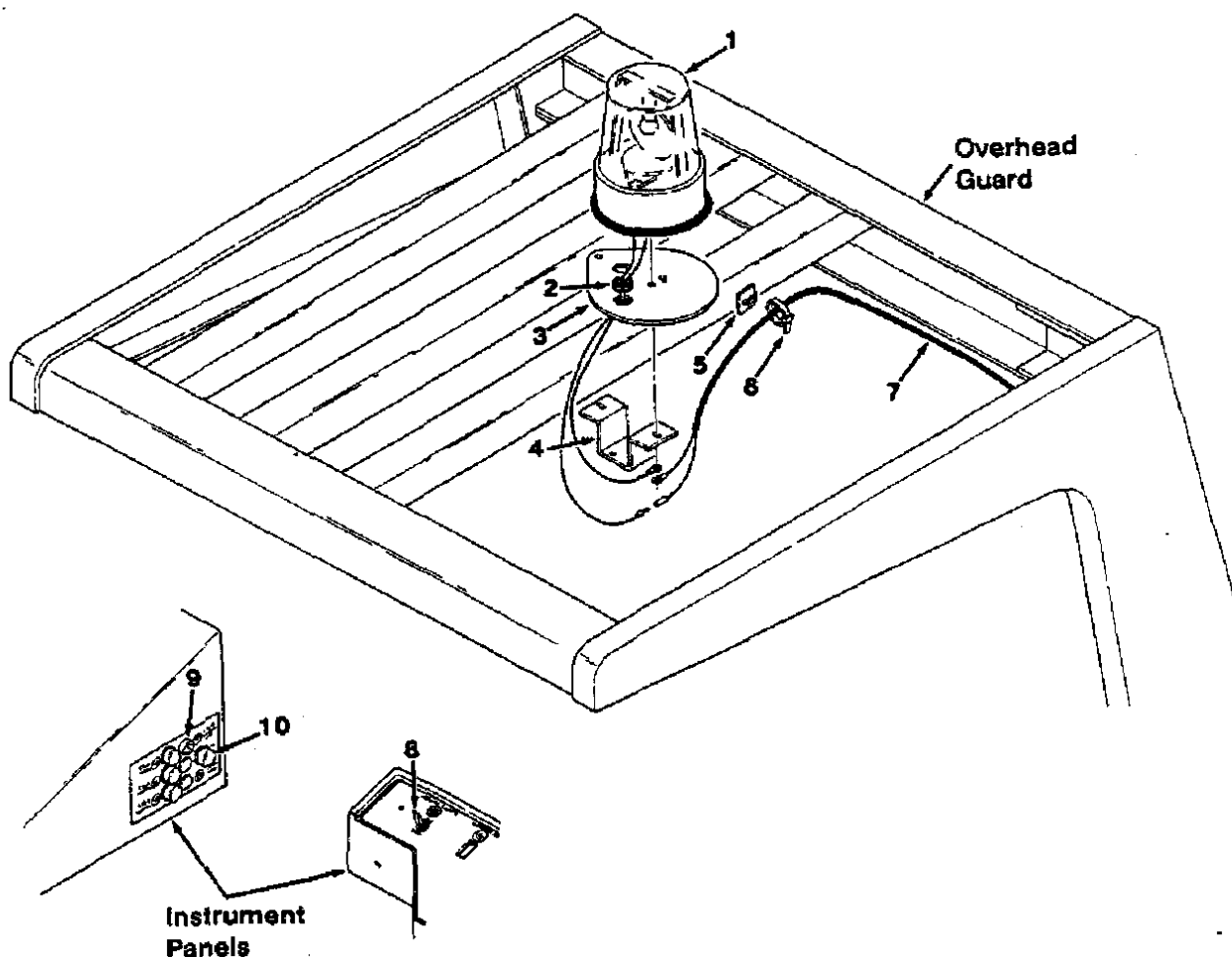
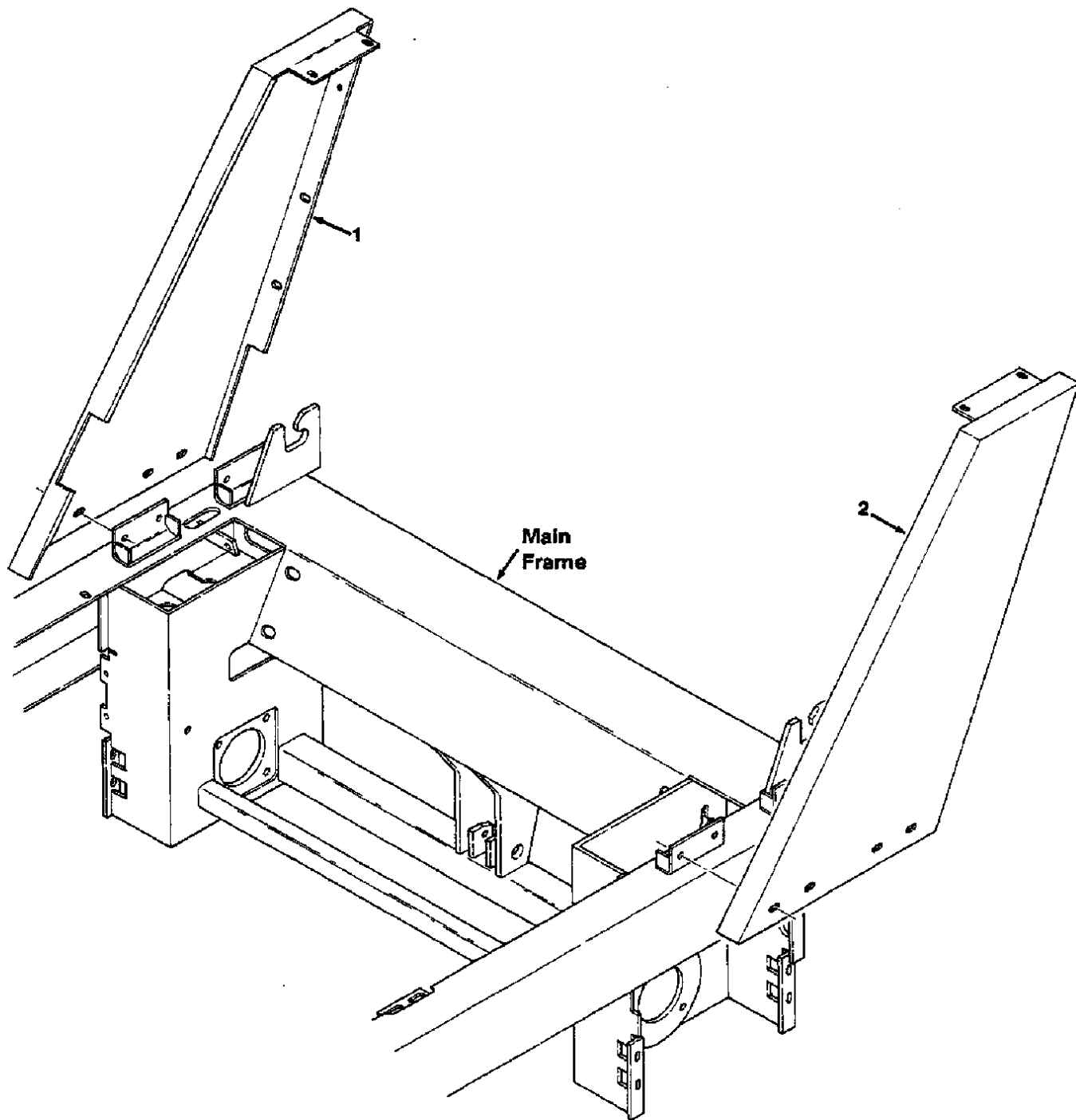


Fig. 4 - Revolving Light Kit

02502

Key	Tennant® Part No.	Machine Serial Number	Description	Qty.
1	57333	(S24000- )	Light Kit, Revolving Amber	1
	82200	(S24000- )	Light Assembly, Revolving Amber	1
	45779	(S24000- )	Bulb	1
	44681-1	(S24000- )	Lens, Amber	1
	10632-9	(S24000- )	Grommet	1
3	57220	(S24000- )	Plate, Mount	1
4	57218	(S24000- )	Bracket, Mount	1
5	55248	(S24000- )	Mount, Cable Tie	6
6	49266	(S24000- )	Tie, Cable	8
7	57341	(S24000- )	Wire Harness, Overhead Guard	1
7	57141	(S24000- )	Wire Harness, Deck	1
8	63266	(S24000- )	Switch	1
9	57803	(S24000- )	Circuit Breaker	1
10	57751	(S24000- )	Boot, Circuit Breaker	1
	44681-2	(S24000- )	Lens, Blue	1
	44681	(S24000- )	Lens, Red	1

NOTE: To identify parts shown but not listed here, see Section 5, Standard Model Parts.



**Fig. 5 - Side Guard Group**

02516

Key	Tennant® Part No.	Machine Serial Number	Description	Qty.
1	57242	(S24000- )	Guard, R.H.	1
2	57307	(S24000- )	Guard, L.H.	1

*NOTE: To identify parts shown but not listed here, see Section 5, Standard Model Parts.*

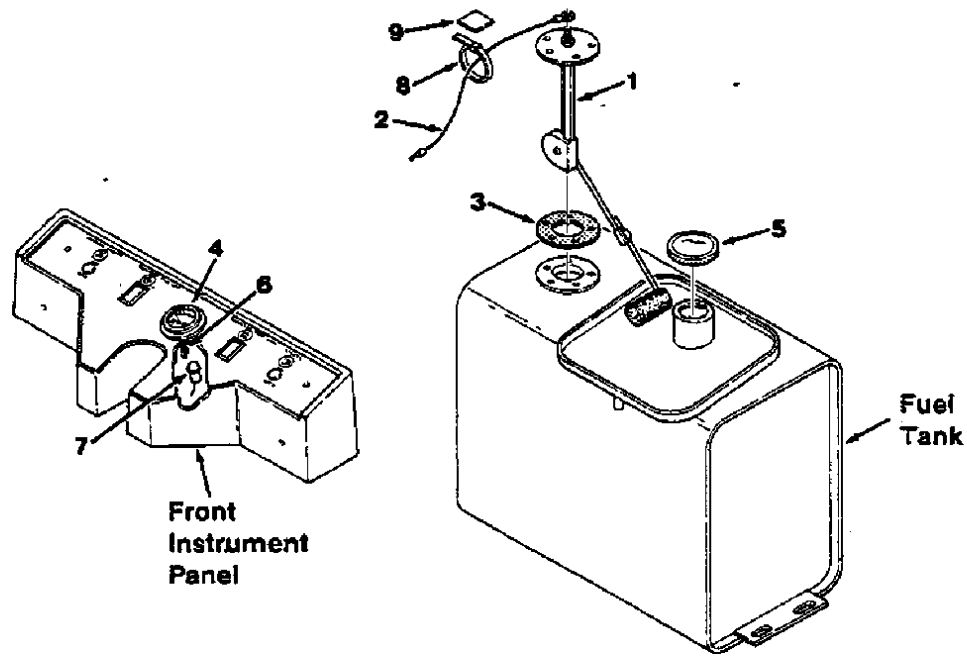


Fig. 6 - Fuel Gauge Kit

02499

Key	Tennant® Part No.	Machine Serial Number	Description	Qty.
	57336	(S24000- )	Fuel Gauge Kit	1
1	47473	(S24000- )	Sending Unit, Fuel Tank	1
2	57142	(S24000- )	Wire Harness, Fuel Sender	1
3	14131	(S24000- )	Gasket	1
4	34813	(S24000- )	Gauge, Fuel	1
5	48267	(S24000- )	Cap, Gas	1
6	48252	(S24000- )	Terminal, Tab	2
7	55271	(S24000- )	Light Assembly	1
8	49286	(S24000- )	Tie, Cable	2
9	55248	(S24000- )	Mount, Cable Tie	2

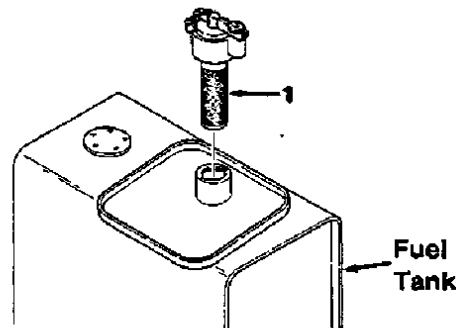
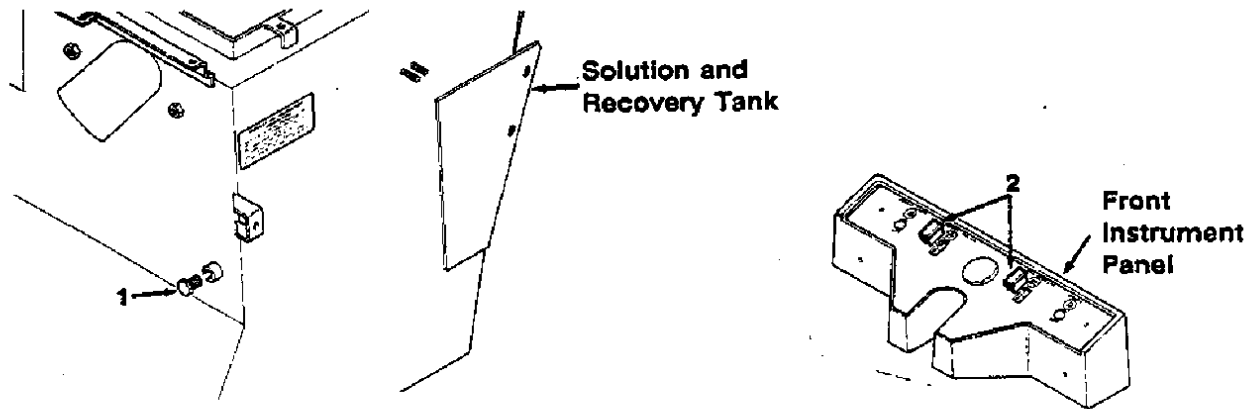


Fig. 7 - Protectoseal Fuel Tank Cap Kit

00960

Key	Tennant® Part No.	Machine Serial Number	Description	Qty.
1	02506-6	(S24000- )	Cap, Fuel Tank, Protectoseal	1

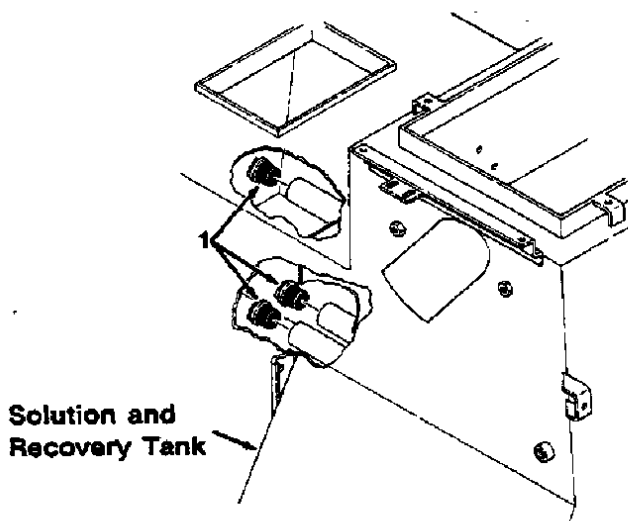
NOTE: To identify parts shown but not listed here, see Section 5, Standard Model Parts.



**Fig. 8 - Level Sensing Plug Kit**

02497

Key	Tennant® Part No.	Machine Serial Number	Description	Qty.
	57330	(S24000- )	Level Sensing Plug Kit	1
1	42153A	(S24000- )	Fitting, Plug	2
2	79660	(S24000- )	Plugbutton, Rectangular	2



**Fig. 9 - Vent Plug Kit, SRS®**

00521

Key	Tennant® Part No.	Machine Serial Number	Description	Qty.
	69539	(S24000- )	Vent Plug Kit	1
1	25460	(S24000- )	Plug, Expandable	3

*NOTE: To identify parts shown but not listed here, see Section 5, Standard Model Parts or Section 7, SRS® Model Parts.*

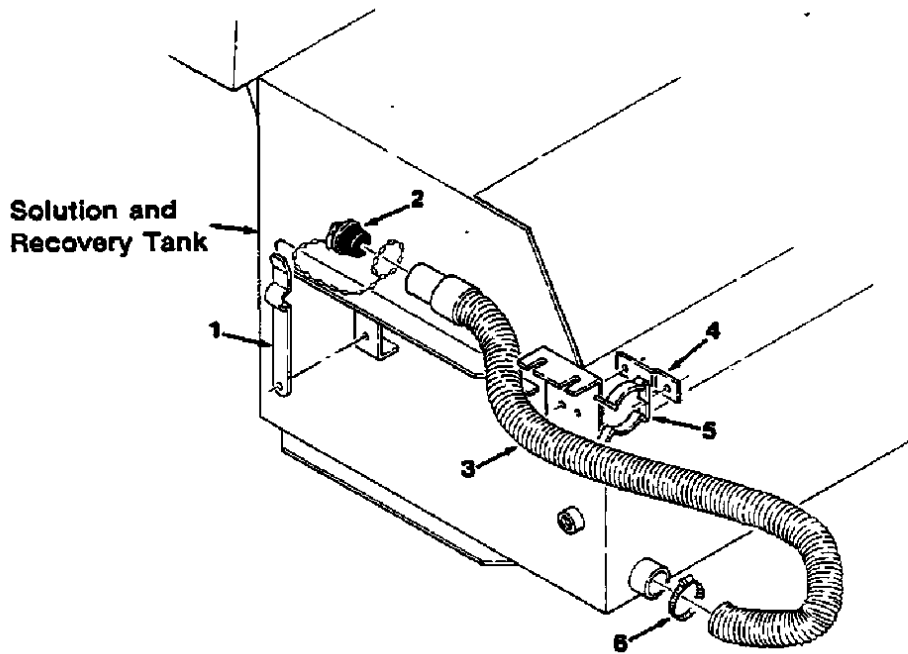


Fig. 10 - Solution Tank Drain Kit

00522

Key	Tennant® Part No.	Machine Serial Number	Description	Qty.
	69443	(S24000- )	Drain Kit, Solution Tank	1
1	64814	(S24000- )	Retainer, Drain Hose	1
2	56505	(S24000- )	Plug, Expandable	1
3	69207	(S24000- )	Hose, Drain	1
4	69612	(S24000- )	Bracket, Clip Mounting	1
5	22473	(S24000- )	Clip, Finger Grip	1
6	11531	(S24000- )	Clamp, Worm Drive	1

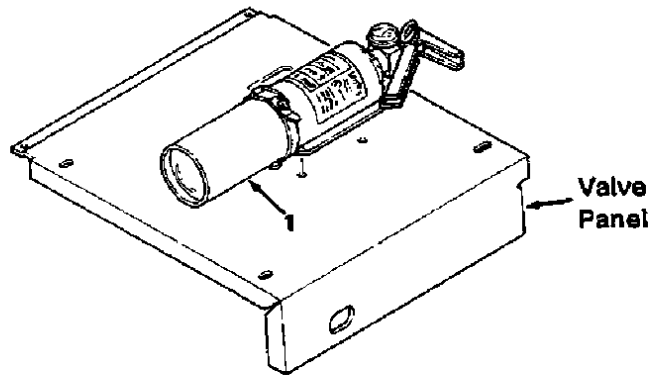
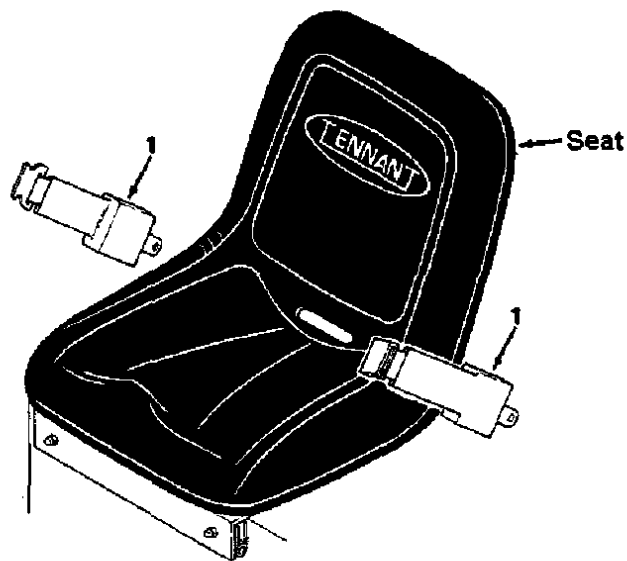


Fig. 11 - Fire Extinguisher Kit

00532

Key	Tennant® Part No.	Machine Serial Number	Description	Qty.
1	69772	(S24000- )	Fire Extinguisher Kit	1
	25312	(S24000- )	Extinguisher, Fire	1

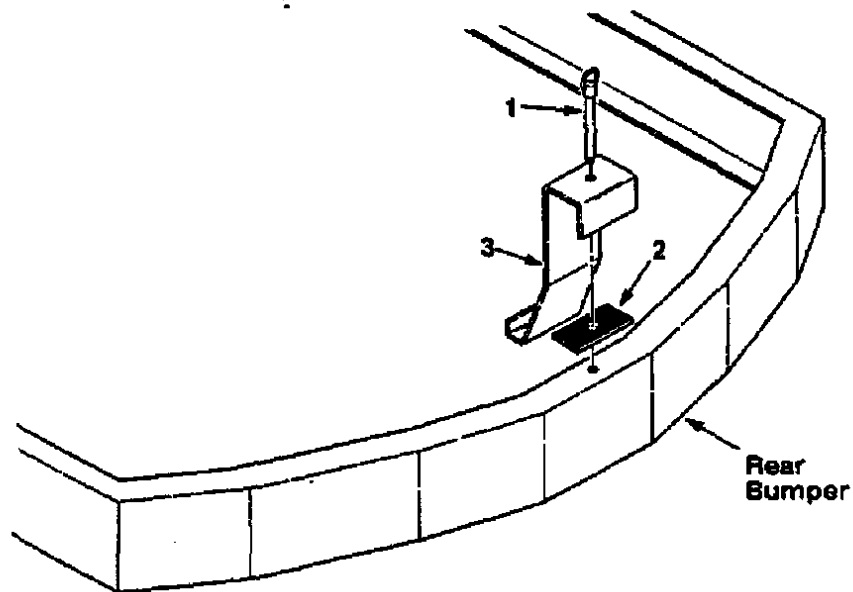
NOTE: To identify parts shown but not listed here, see Section 5, Standard Model Parts.



**Fig. 12 - Seat Belt Kit**

00523

Key	TENNANT® Part No.	Machine Serial Number	Description	Qty.
1	69770 68346	(S24000- ) (S24000- )	Seat Belt Kit Belt, Seat	1 1



**Fig. 13 - Demo Kit**

00525

Key	TENNANT® Part No.	Machine Serial Number	Description	Qty.
	64861	(S24000- )	Demo Kit	1
1	63174	(S24000- )	Pin, Pivot	1
2	64865	(S24000- )	Strip, Rubber	1
3	64862	(S24000- )	Bracket, Support	1

*NOTE: To identify parts shown but not listed here, see Section 5, Standard Model Parts.*



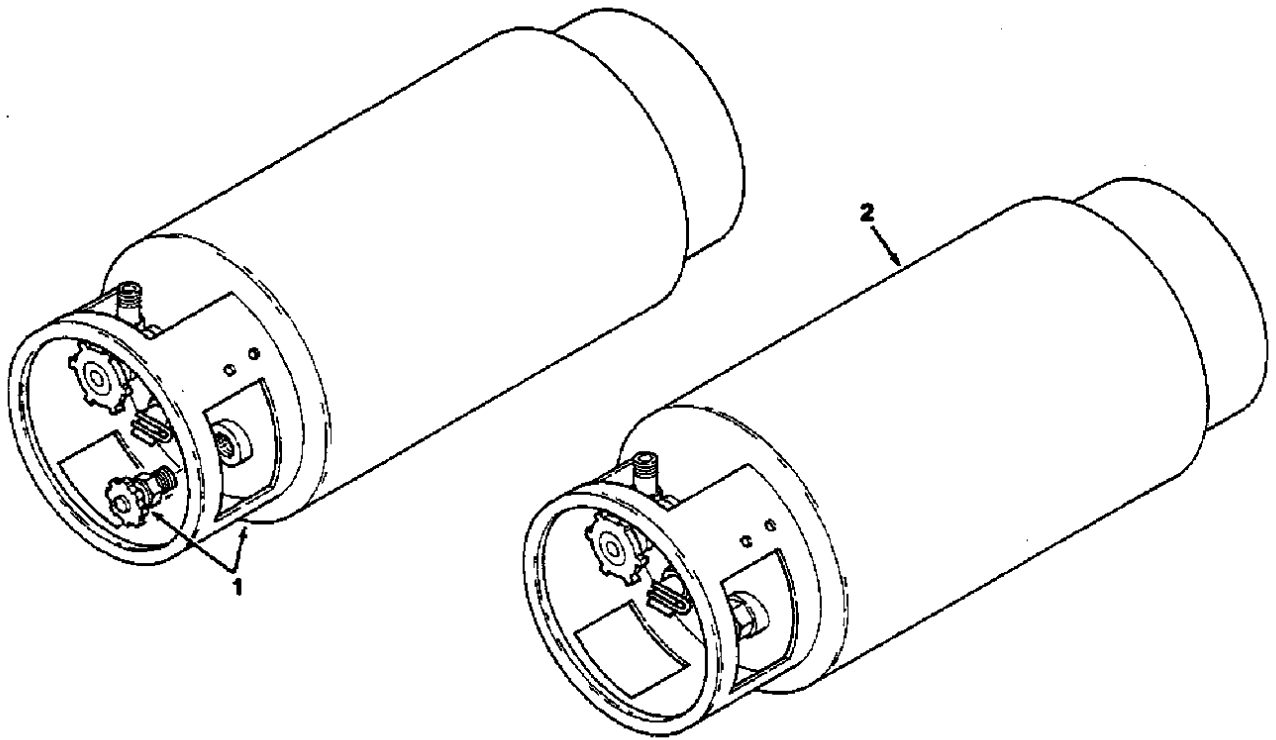
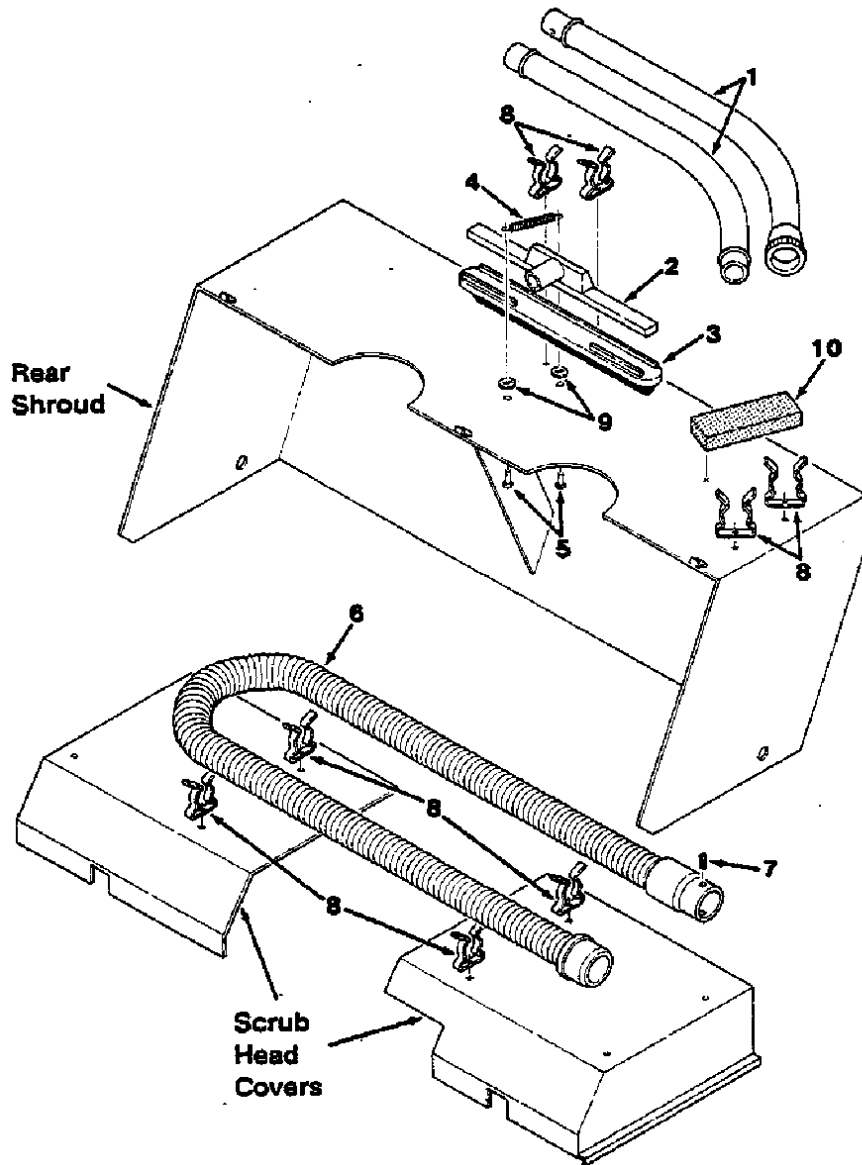


Fig. 14 - LPG Fuel Tanks Group

02574

Key	TENNANT® Part No.	Machine Serial Number	Description	Qty.
1	24928-1	(S24000- )	Tank, LPG, with Filler Valve	1
2	24928	(S24000- )	Tank, LPG	1



**Fig. 15 - Vacuum Wand Kit**

02510

Key	Tennant® Part No.	Machine Serial Number	Description	Qty.
	57338	(S24000- )	Wand Kit	1
1	63448	(S24000- )	Wand, Metal	1
2	63451	(S24000- )	Nozzle, Wand	1
3	63430	(S24000- )	Shoe, Squeegee	1
4	50304	(S24000- )	Spring, Tension	1
5	10120	(S24000- )	Pin, Clevis	2
6	69657	(S24000- )	Hose Assembly	1
7	69659	(S24000- )	Plunger, Spring	1
8	67004	(S24000- )	Clip, Finger Grip	8
9	57429	(S24000- )	Nut, Push-On	2
10	57422	(S24000- )	Pad	1

*NOTE: To identify parts shown but not listed here, see Section 5, Standard Model Parts.*

---

# SECTION 10 MISCELLANEOUS COMPONENTS

## CONTENTS

	Page
Ordering Repair Parts .....	10-1
- Fig. 1 - Solution Pump Breakdown .....	10-2
Fig. 2 - Cleaning Solution Pump Breakdown	10-3

*NOTE: Section 10, Miscellaneous Components, lists the repair parts for each of the repairable miscellaneous components.*



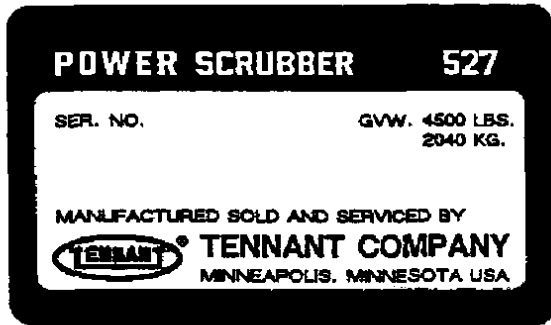
**ORDERING REPAIR PARTS**

The components used in this machine have been carefully selected for performance and safety. Use only Tennant Company specified or equivalent parts.

To receive prompt service in filling of your parts orders, please direct all orders for parts with Tennant Company part numbers to the Tennant Company, and all orders for parts with vendor part numbers to the local supplier of the respective vendor.

When ordering parts, please furnish all of the following information:

1. Machine model number - shown on the machine data plate.



2. Machine serial number - shown on the machine data plate.
3. Power source - gasoline, LPG, diesel, electric.
4. Company name.
5. Shipping address.
6. Billing address.
7. Name, first and last - of person ordering parts.
8. Telephone number.
9. Purchase order number.
10. Part number, description, and quantity - of each item on the order.

Do not order parts by key number or the figure number of the illustrated parts. Indented items indicate parts of assemblies. Standard hardware is furnished only when part of a purchased assembly. Please get hardware from a local hardware supplier.

If the old part cannot be identified, send it to us with the quantity needed specified on the order.

Any claim for loss or damage to a shipment in transit should be filed promptly against the transportation company making the delivery. Shipments will be complete unless the packing list or order acknowledgement indicate items back ordered.

If parts received are suspected to be incorrect or defective, please write, wire, or phone the Tennant Company representative from whom you ordered the part. They will give authorization for return and/or handle replacement shipments when required.

**SERIAL NUMBER INFORMATION EXPLANATION**

Serial number listings are shown to indicate on which machines each part can be used. These listings are explained by the following examples:

(000000- ) The part can be used on all machines.

(003342- ) The part can be used on all machines beginning with the serial number listed.

(000000-004320) The part can be used on all machines up to and including serial number listed.

(004321-005678) The part can be used on all machines between and including the serial numbers listed.

Where xxxxx's are listed in place of a serial number, it indicates a change was made but the exact serial number had not been established when the catalog went to press.

**SI UNITS OF MEASURE  
(INTERNATIONAL SYSTEM)**

Metric equivalents have been included, where applicable, throughout this parts catalog.

**FASTENER STRENGTH IDENTIFICATION**

Fasteners required to have high-strength qualities equivalent to SAE Grade 8 are identified throughout this catalog by the description GR 8. Unless identified by this description, all standard fasteners are SAE Grade 5.

(Specifications and design subject to change without notice.)

# MISCELLANEOUS COMPONENTS

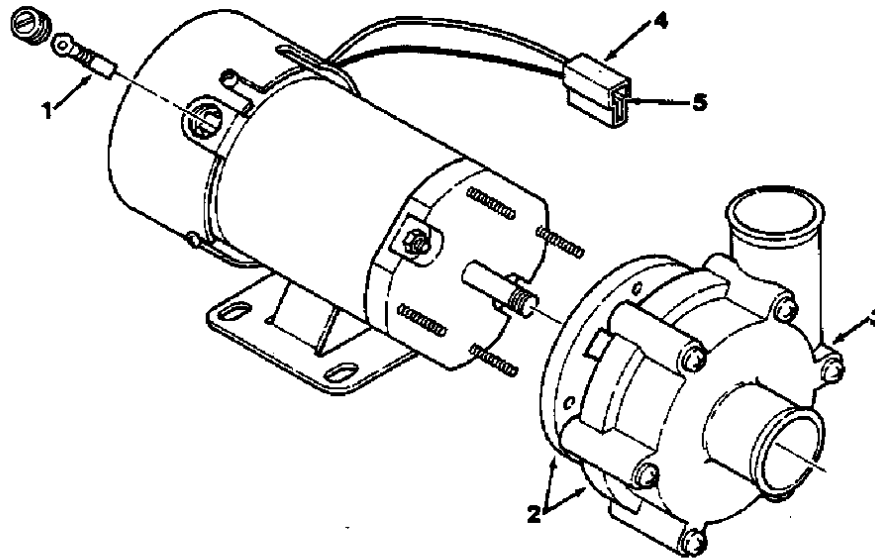


Fig. 1 - Solution Pump Breakdown

02824

Key	TENNANT® Part No.	Machine Serial Number	Description	Qty.
	03838	(S24000- )	Pump Assembly, Solution	1
1	SK2498	(S24000- )	Replacement Kit, Brush	1
2	03711	(S24000- )	Replacement Kit, Pump Head	1
3	33308	(S24000- )	Replacement Kit, Pump Body	1
4	51406	(S24000- )	Connector	1
5	51416	(S24000- )	Terminal, Male	2

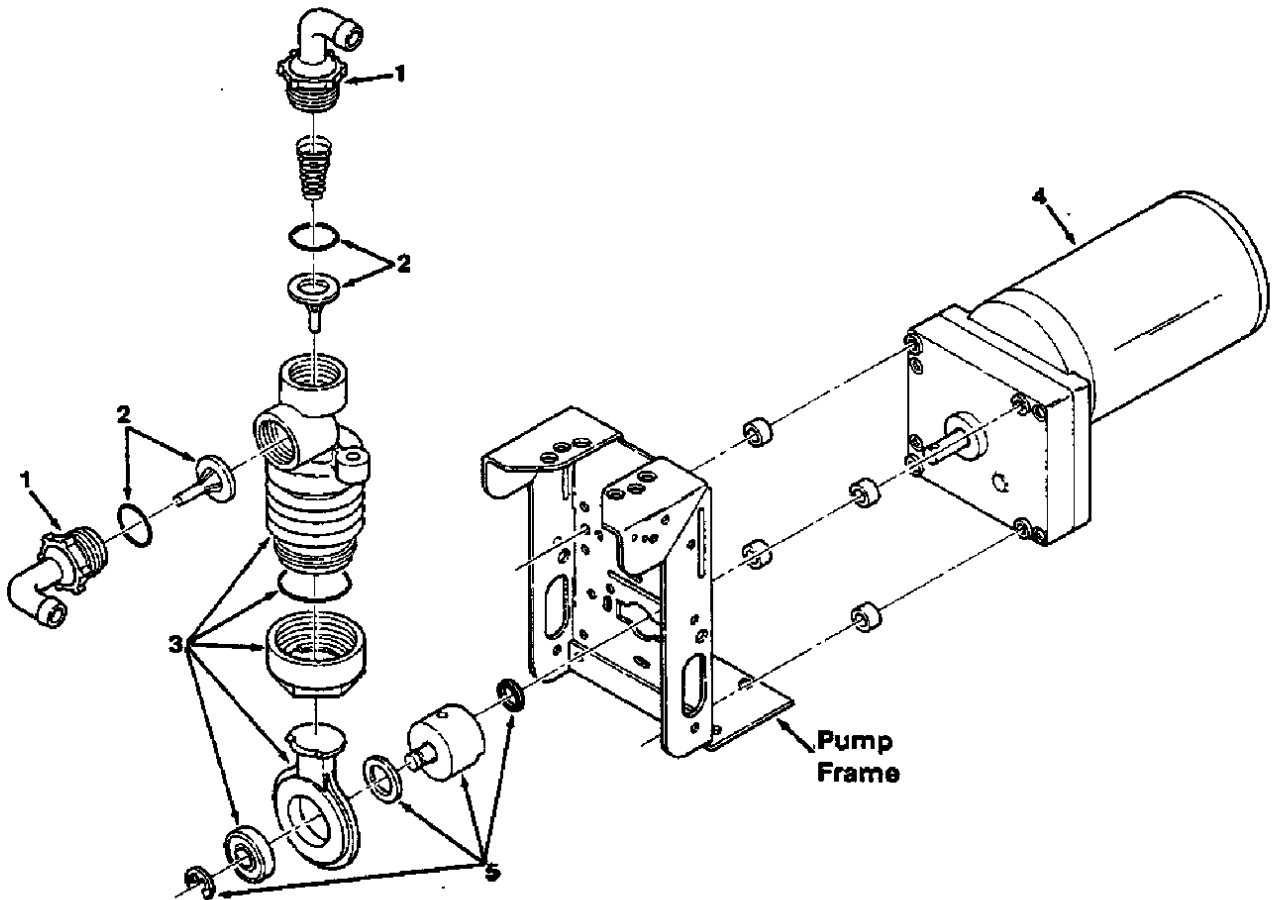


Fig. 2 - Cleaning Solution Pump Breakdown

00112

Key	TENNANT® Part No.	Machine Serial Number	Description	Qty.
	16485	(S24000- )	Pump, Cleaning Solution Metering	1
1	63923	(S24000- )	Connector Kit, Tubing	1
2	63922	(S24000- )	Valve Kit, Pump	1
3	63921	(S24000- )	Replacement Kit, Bellows	1
4	63924	(S24000- )	Motor, Gear	1
5	02430	(S24000- )	Crank Replacement Kit	1





---

# SECTION 11 HYDRAULIC COMPONENTS

## CONTENTS

	Page
Ordering Repair Parts .....	11-1
Fig. 1 - Propelling Pump Breakdown .....	11-2
Fig. 2 - Accessories Pump Breakdown ....	11-4
Fig. 3 - Control Valve Breakdown .....	11-5
Fig. 4 - Propelling Motor Breakdown .....	11-6
Fig. 5 - Propelling Motor Breakdown .....	11-7
Fig. 6 - Scrub Brush Motor Breakdown ....	11-8
Fig. 7 - Solenoid Valve Breakdown .....	11-9
Fig. 8 - Flow Switch Breakdown .....	11-10

*NOTE: Section 11, Hydraulic Components, lists the repair parts for each of the repairable hydraulic components.*

---

Home

Find...

Go To..





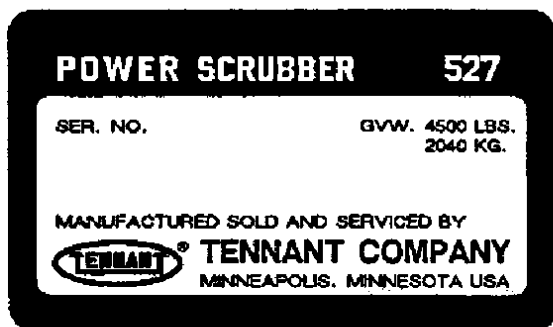
**ORDERING REPAIR PARTS**

The components used in this machine have been carefully selected for performance and safety. Use only Tennant Company specified or equivalent parts.

To receive prompt service in filling of your parts orders, please direct all orders for parts with Tennant Company part numbers to the Tennant Company, and all orders for parts with vendor part numbers to the local supplier of the respective vendor.

When ordering parts, please furnish all of the following information:

1. Machine model number - shown on the machine data plate.



2. Machine serial number - shown on the machine data plate.
3. Power source - gasoline, LPG, diesel, electric.
4. Company name.
5. Shipping address.
6. Billing address.
7. Name, first and last - of person ordering parts.
8. Telephone number.
9. Purchase order number.
10. Part number, description, and quantity - of each item on the order.

Do not order parts by key number or the figure number of the illustrated parts. Indented items indicate parts of assemblies. Standard hardware is furnished only when part of a purchased assembly. Please get hardware from a local hardware supplier.

If the old part cannot be identified, send it to us with the quantity needed specified on the order.

Any claim for loss or damage to a shipment in transit should be filed promptly against the transportation company making the delivery. Shipments will be complete unless the packing list or order acknowledgement indicate items back ordered.

If parts received are suspected to be incorrect or defective, please write, wire, or phone the Tennant Company representative from whom you ordered the part. They will give authorization for return and/or handle replacement shipments when required.

**SERIAL NUMBER INFORMATION EXPLANATION**

Serial number listings are shown to indicate on which machines each part can be used. These listings are explained by the following examples:

- (000000-- ) The part can be used on all machines.
- (003342-- ) The part can be used on all machines beginning with the serial number listed.
- (000000-004320) The part can be used on all machines up to and including serial number listed.
- (004321-005678) The part can be used on all machines between and including the serial numbers listed.

Where xxxxx's are listed in place of a serial number, it indicates a change was made but the exact serial number had not been established when the catalog went to press.

**SI UNITS OF MEASURE  
(INTERNATIONAL SYSTEM)**

Metric equivalents have been included, where applicable, throughout this parts catalog.

**FASTENER STRENGTH IDENTIFICATION**

Fasteners required to have high-strength qualities equivalent to SAE Grade 8 are identified throughout this catalog by the description GR 8. Unless identified by this description, all standard fasteners are SAE Grade 5.

(Specifications and design subject to change without notice.)

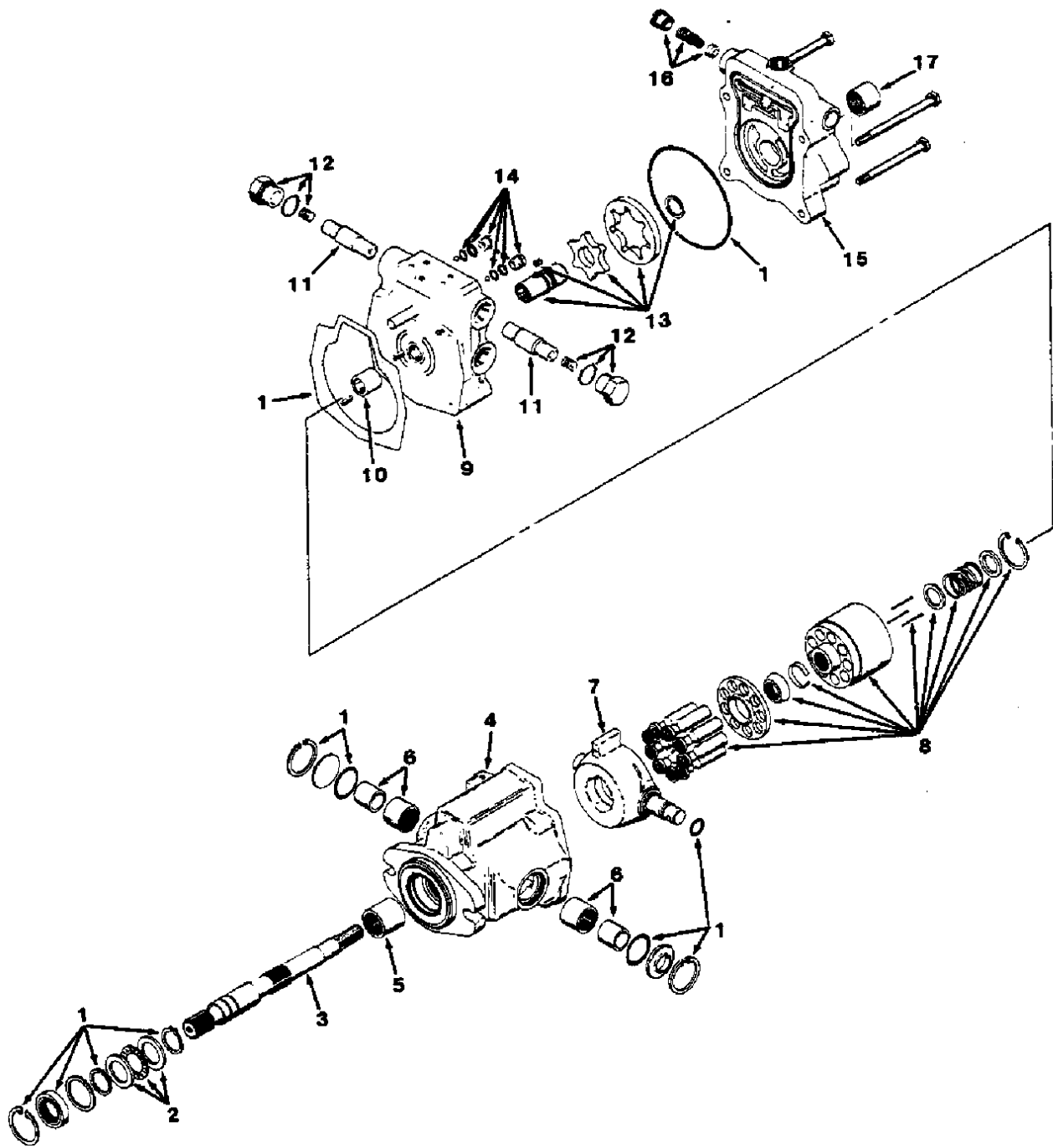
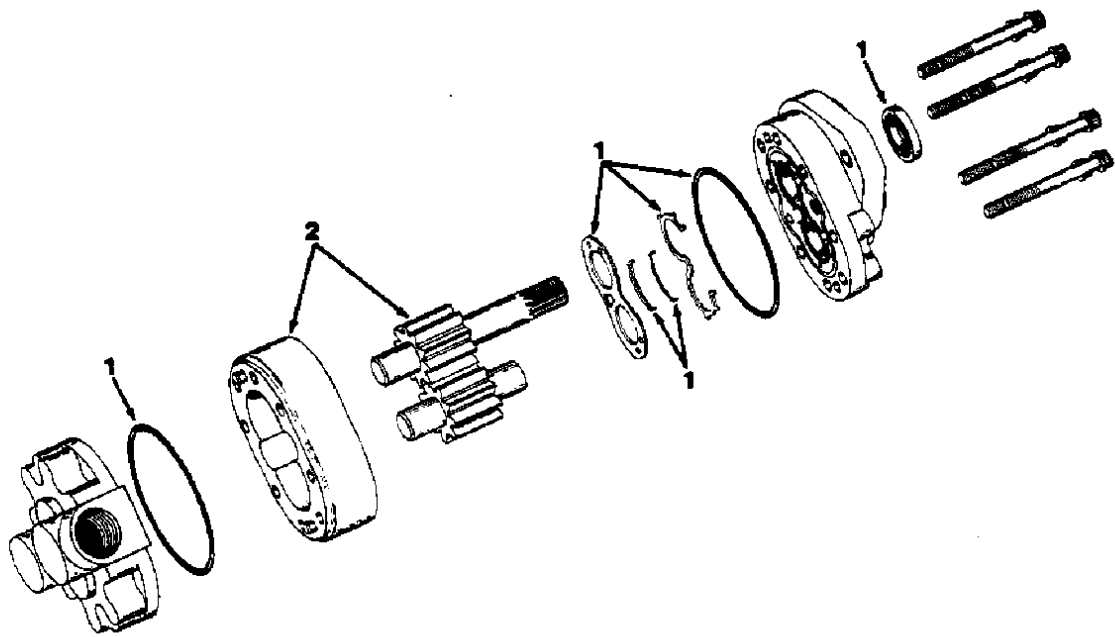


Fig. 1 - Propelling Pump Breakdown

Fig. 1 - Propelling Pump Breakdown

Key	TENNANT® Part No.	Machine Serial Number	Description	Qty.
	02634	(S24000- )	Pump, Hydraulic	1
1	55918	(S24000- )	Seal Kit	1
2	55922	(S24000- )	Bearing Kit, Thrust	1
3	55931	(S24000- )	Shaft, Pump	1
4	58925	(S24000- )	Housing Assembly, Pump	1
5	55939	(S24000- )	Bearing, Roller	1
6	55905	(S24000- )	Bearing, Trunnion	2
7	55933	(S24000- )	Plate, Cam	1
8	55920	(S24000- )	Rotating Kit	1
9	57051	(S24000- )	Back Plate	1
10	55937	(S24000- )	Bearing, Roller	1
11	55941	(S24000- )	Valve, Relief	2
12	57210	(S24000- )	Plug Assembly	2
13	55932	(S24000- )	Gerotor and Coupler Assembly	1
14	37457	(S24000- )	Valve Assembly	2
15	55930	(S24000- )	Pump Adaptor Assembly	1
16	55906	(S24000- )	Valve, Charge Relief	1
17	55929	(S24000- )	Bearing, Roller	1



**Fig. 2 - Accessories Pump Breakdown**

02494

Key	Tennant® Part No.	Machine Serial Number	Description	Qty.
1	57035	(S24000- )	Pump, Hydraulic Gear	1
1	57376	(S24000- )	Seal Kit	1
2	57063	(S24000- )	Repair Kit	1

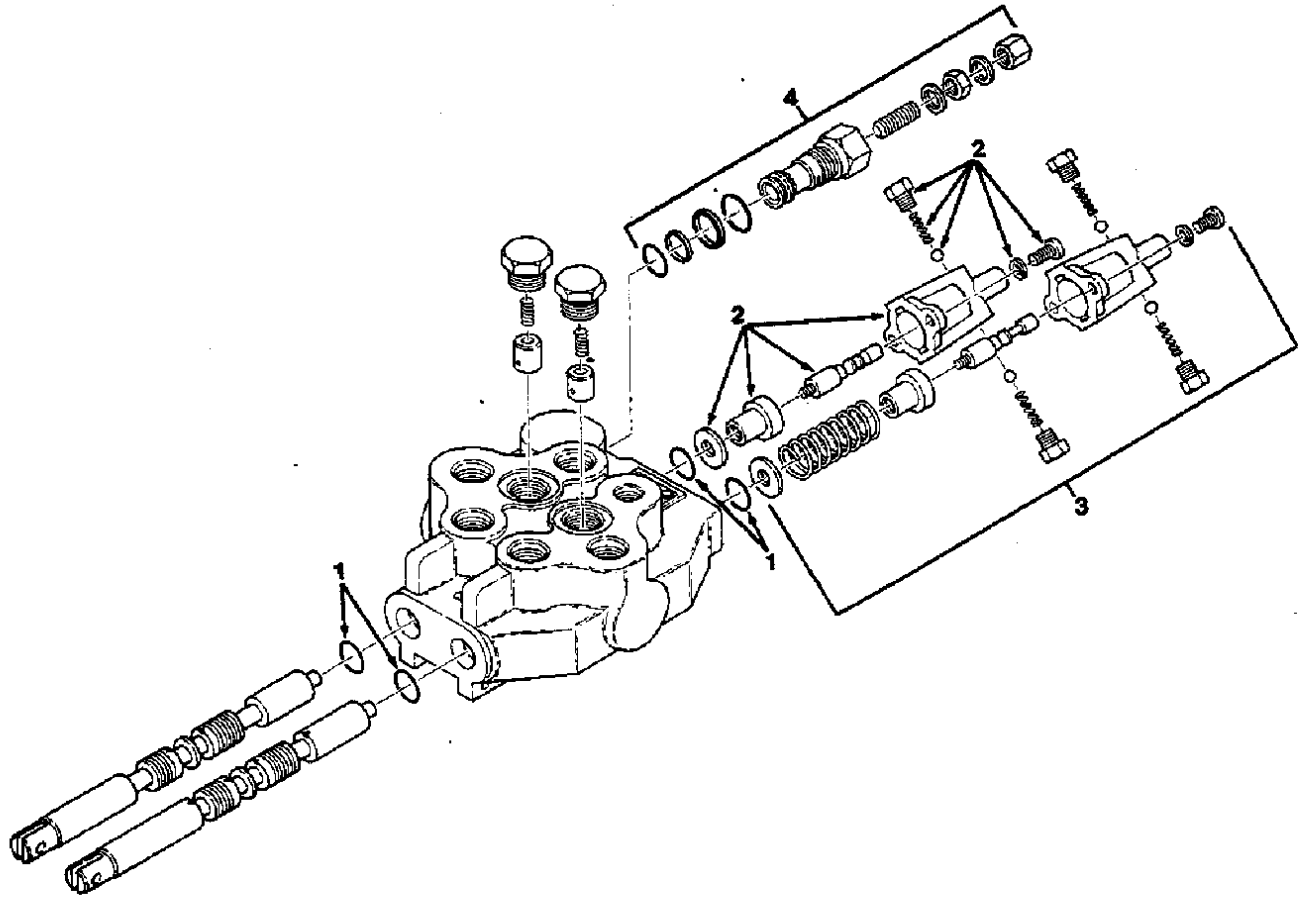
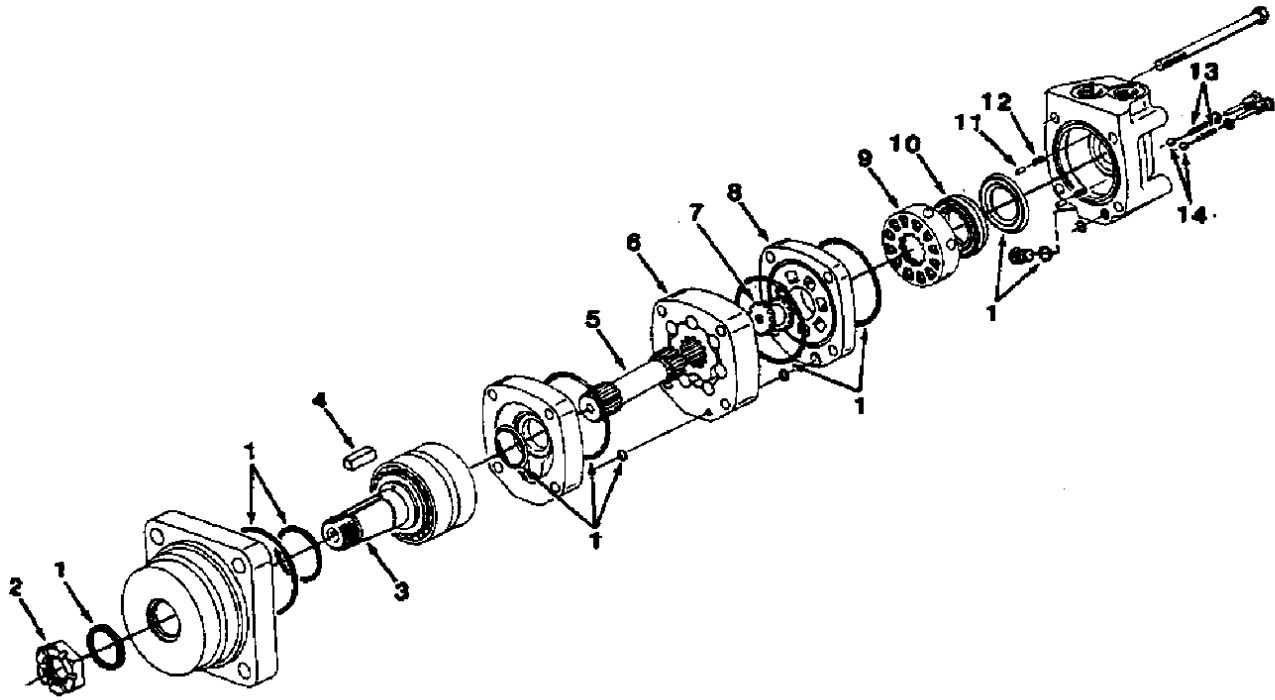


Fig. 3 - Control Valve Breakdown

02416

Key	Tennant® Part No.	Machine Serial Number	Description	Qty.
	57034	(S24000- )	Valve, Hydraulic	1
1	01666	(S24000- )	Seal Kit	1
2	01670	(S24000- )	Detent Kit	1
3	01671	(S24000- )	Detent Kit, Spring	1
4	01818	(S24000- )	Relief Assembly	1



**Fig. 4 - Propelling Motor Breakdown**

02493

Key	Tennant® Part No.	Machine Serial Number	Description	Qty.
	57033	(S24000-S24329)	Motor, Hydraulic	1
1	33837	(S24000-S24329)	Seal Kit	1
2	38490	(S24000-S24329)	Nut	1
3	57367	(S24000-S24329)	Shaft and Bearing Kit	1
4	38315	(S24000-S24329)	Key	1
5	57368	(S24000-S24329)	Drive	1
6	57369	(S24000-S24329)	Geroler	1
7	57370	(S24000-S24329)	Drive, Valve	1
8	57371	(S24000-S24329)	Plate, Valve	1
9	57372	(S24000-S24329)	Valve	1
10	57373	(S24000-S24329)	Ring, Balance	1
11	57374	(S24000-S24329)	Pin	2
12	57375	(S24000-S24329)	Spring	2
13	34179	(S24000-S24329)	Spring	2
14	37766	(S24000-S24329)	Ball	2

Home Find... Go To..  



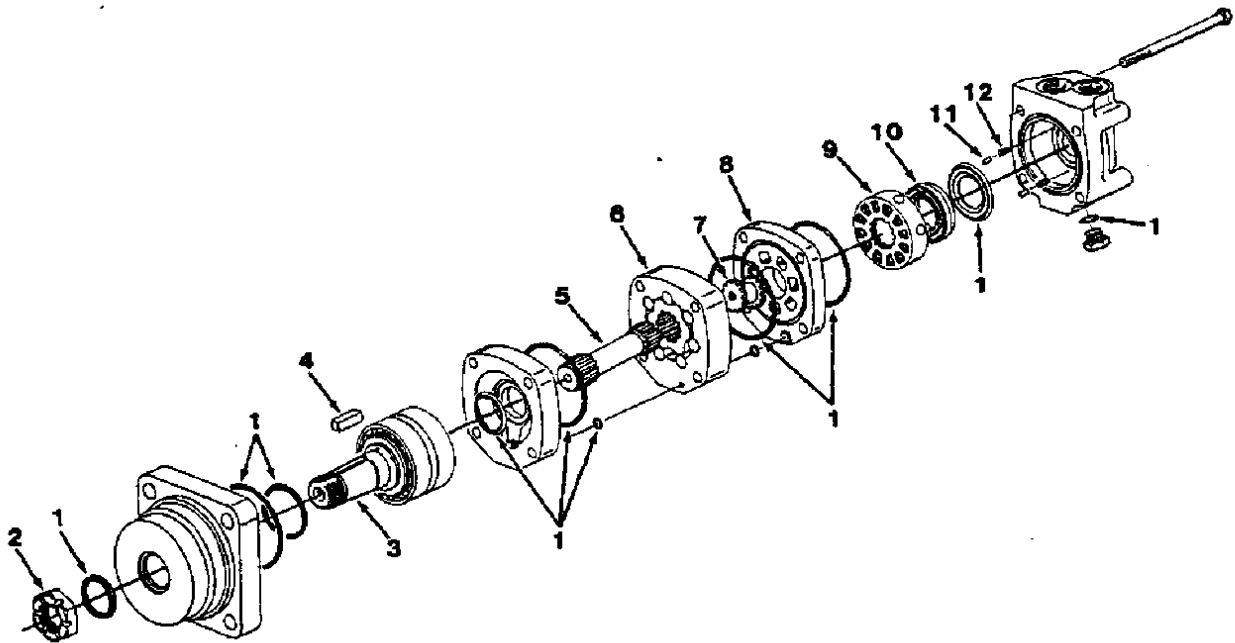
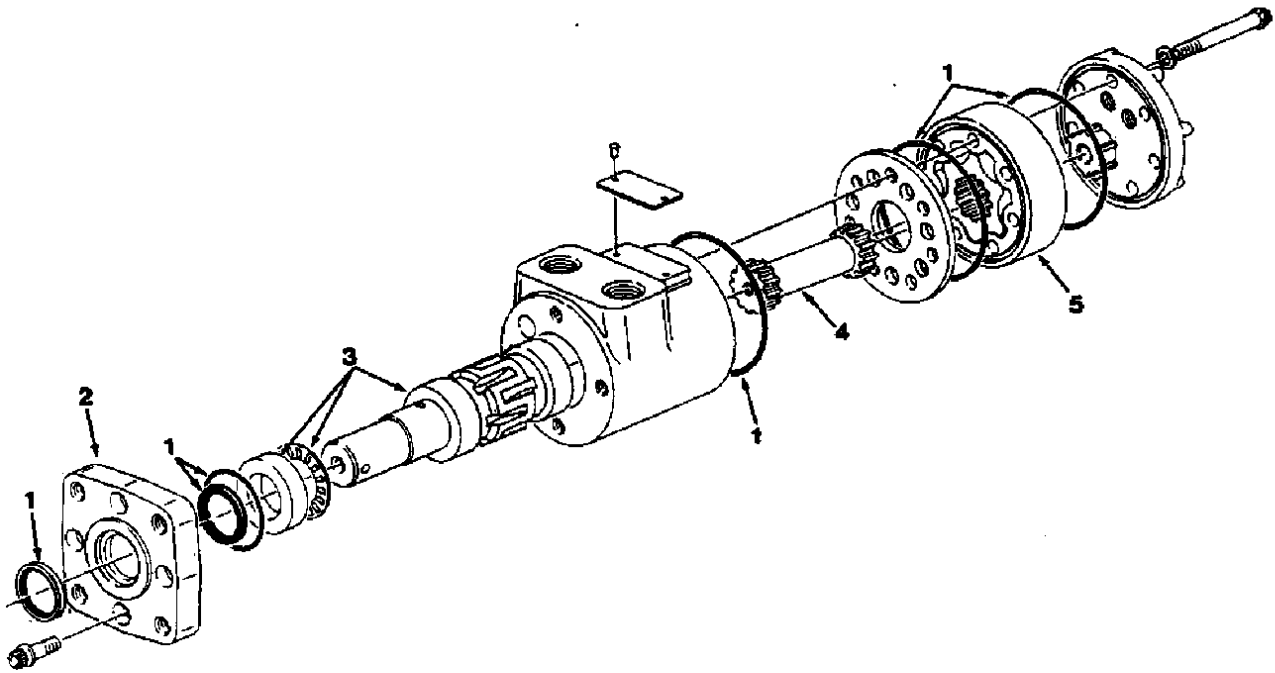


Fig. 5 - Propelling Motor Breakdown

02834

Key	Tennant® Part No.	Machine Serial Number	Description	Qty.
	03517	(S24330- )	Motor, Hydraulic	1
1	02643	(S24330- )	Seal Kit	1
2	38490	(S24330- )	Nut	1
3	02644	(S24330- )	Shaft and Bearing Kit	1
4	38315	(S24330- )	Key	1
5	03518	(S24330- )	Drive	1
6	03519	(S24330- )	Geroler	1
7	57370	(S24330- )	Drive, Valve	1
8	02646	(S24000- )	Plate, Valve	1
9	02647	(S24330- )	Valve	1
10	57373	(S24330- )	Ring, Balance	1
11	57374	(S24330- )	Pin	2
12	57375	(S24330- )	Spring	2



**Fig. 6 - Scrub Brush Motor Breakdown**

01656

Key	Tennant® Part No.	Machine Serial Number	Description	Qty.
	34423	(S24000- )	Motor, Hydraulic	1
1	47649	(S24000- )	Seal Kit	1
2	34174	(S24000- )	Flange, Mounting	1
3	34175	(S24000- )	Shaft Assembly, Output	1
4	34176	(S24000- )	Drive	1
5	34177	(S24000- )	Gerotor Set	1

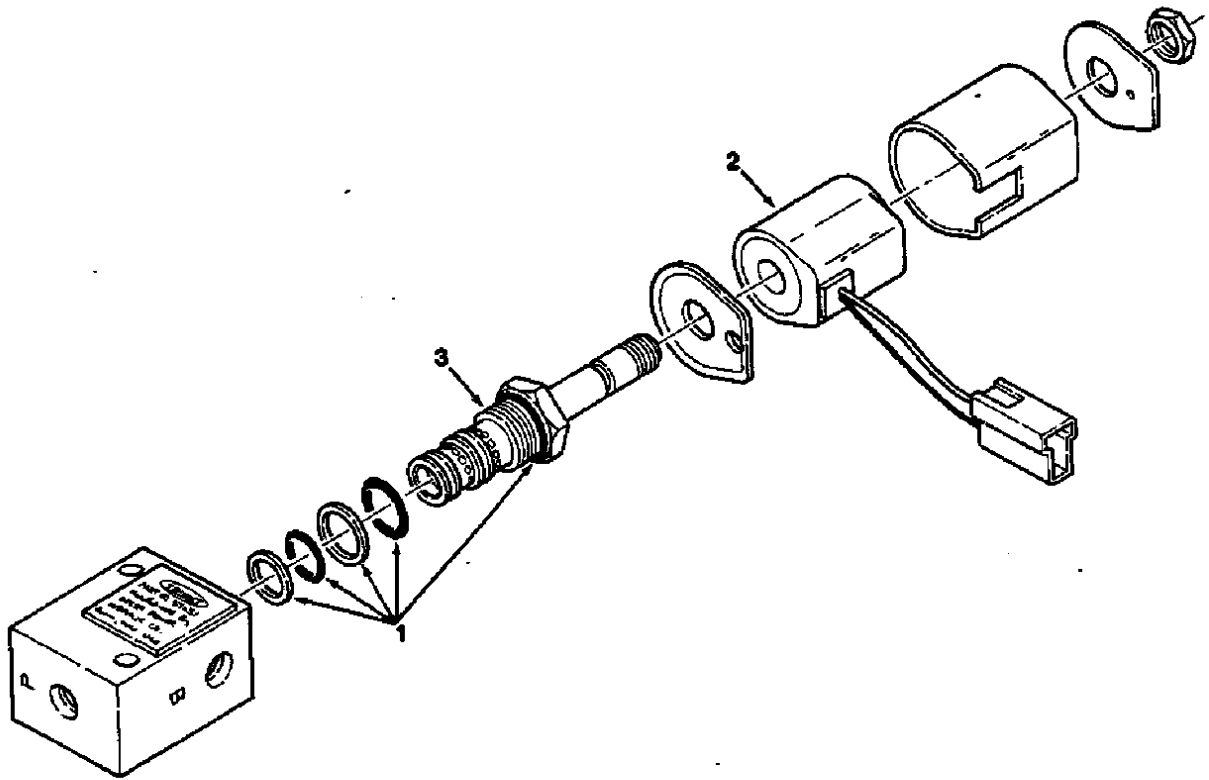
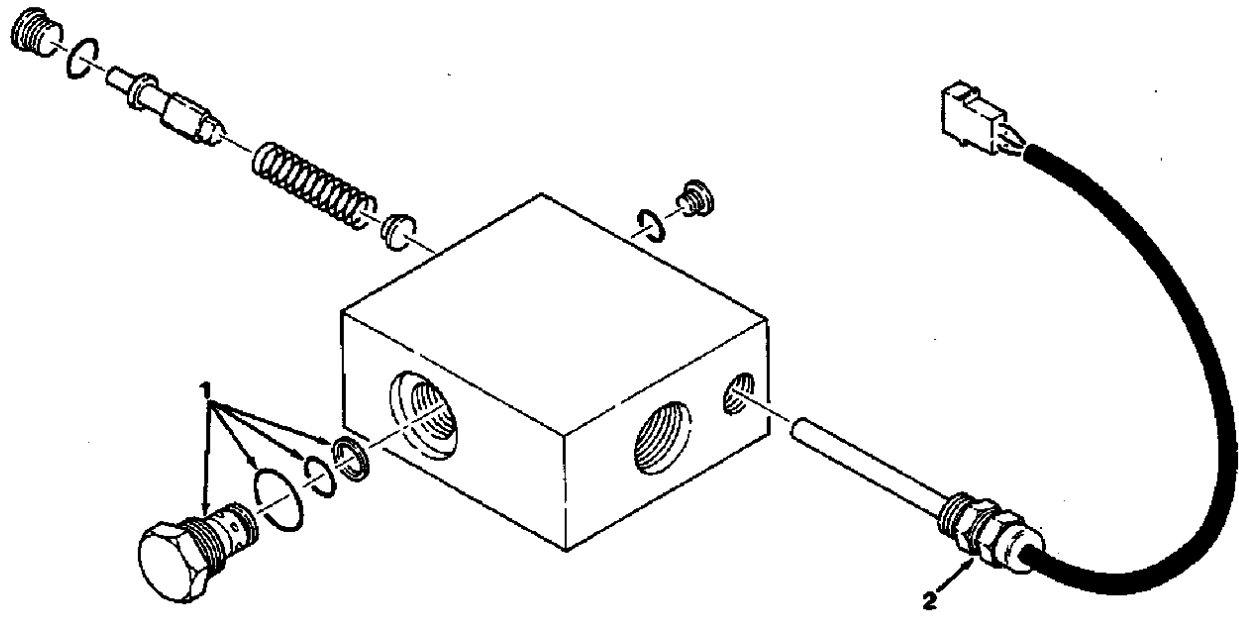


Fig. 7 - Solenoid Valve Breakdown

02443

Key	Tennant® Part No.	Machine Serial Number	Description	Qty.
	57031	(S24000- )	Valve, Hydraulic Solenoid	1
1	57366	(S24000- )	Seal Kit	1
2	57186	(S24000- )	Solenoid	1
3	03515	(S24000- )	Cartridge, Valve	1



02399

**Fig. 8 - Flow Switch Breakdown**

Key	Tennant® Part No.	Machine Serial Number	Description	Qty.
	31556	(S24000- )	Switch, Flow	1
1	31638	(S24000- )	Check Valve	1
2	31639	(S24000- )	Switch Assembly	1

---

# SECTION 12

## ENGINE PARTS, GASOLINE, LPG

### CONTENTS

	Page
Ordering Repair Parts .....	12-1
Fig. 1 - Cylinder Block, Head, and Manifolds Group .....	12-2
Fig. 2 - Crankshaft Group .....	12-3
Fig. 3 - Valves and Valve Cover Group .....	12-4
Fig. 4 - Camshaft Group .....	12-6
Fig. 5 - Piston and Connecting Rod Group ..	12-7
Fig. 6 - Oil Pump, Filter, and PCV Group ..	12-8
Fig. 7 - Water Pump and Thermostat Group	12-10
Fig. 8 - Distributor and Spark Plugs Group	12-11
Fig. 9 - Gasket Kits Group .....	12-12

*NOTE: Section 12, Engine Parts, Gasoline, LPG, lists the repair parts for the Ford gasoline or LPG powered engine, Tennant Company part number 58087.*



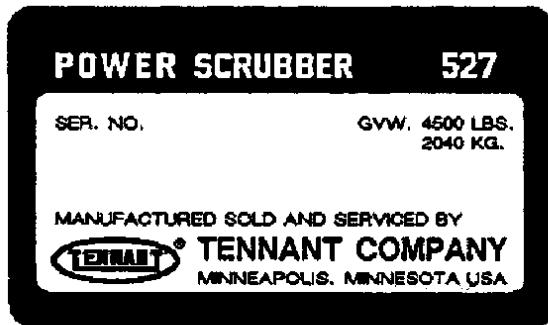
**ORDERING REPAIR PARTS**

The components used in this machine have been carefully selected for performance and safety. Use only Tennant Company specified or equivalent parts.

To receive prompt service in filling of your parts orders, please direct all orders for parts with Tennant Company part numbers to the Tennant Company, and all orders for parts with vendor part numbers to the local supplier of the respective vendor.

When ordering parts, please furnish all of the following information:

1. Machine model number - shown on the machine data plate.



2. Machine serial number - shown on the machine data plate.
3. Power source - gasoline, LPG, diesel, electric.
4. Company name.
5. Shipping address.
6. Billing address.
7. Name, first and last - of person ordering parts.
8. Telephone number.
9. Purchase order number.
10. Part number, description, and quantity - of each item on the order.

Do not order parts by key number or the figure number of the illustrated parts. Indented items indicate parts of assemblies. Standard hardware is furnished only when part of a purchased assembly. Please get hardware from a local hardware supplier.

If the old part cannot be identified, send it to us with the quantity needed specified on the order.

Any claim for loss or damage to a shipment in transit should be filed promptly against the transportation company making the delivery. Shipments will be complete unless the packing list or order acknowledgement indicate items back ordered.

If parts received are suspected to be incorrect or defective, please write, wire, or phone the Tennant Company representative from whom you ordered the part. They will give authorization for return and/or handle replacement shipments when required.

**SERIAL NUMBER INFORMATION EXPLANATION**

Serial number listings are shown to indicate on which machines each part can be used. These listings are explained by the following examples:

(000000- ) The part can be used on all machines.

(003342- ) The part can be used on all machines beginning with the serial number listed.

(000000-004320) The part can be used on all machines up to and including serial number listed.

(004321-005678) The part can be used on all machines between and including the serial numbers listed.

Where xxxxx's are listed in place of a serial number, it indicates a change was made but the exact serial number had not been established when the catalog went to press.

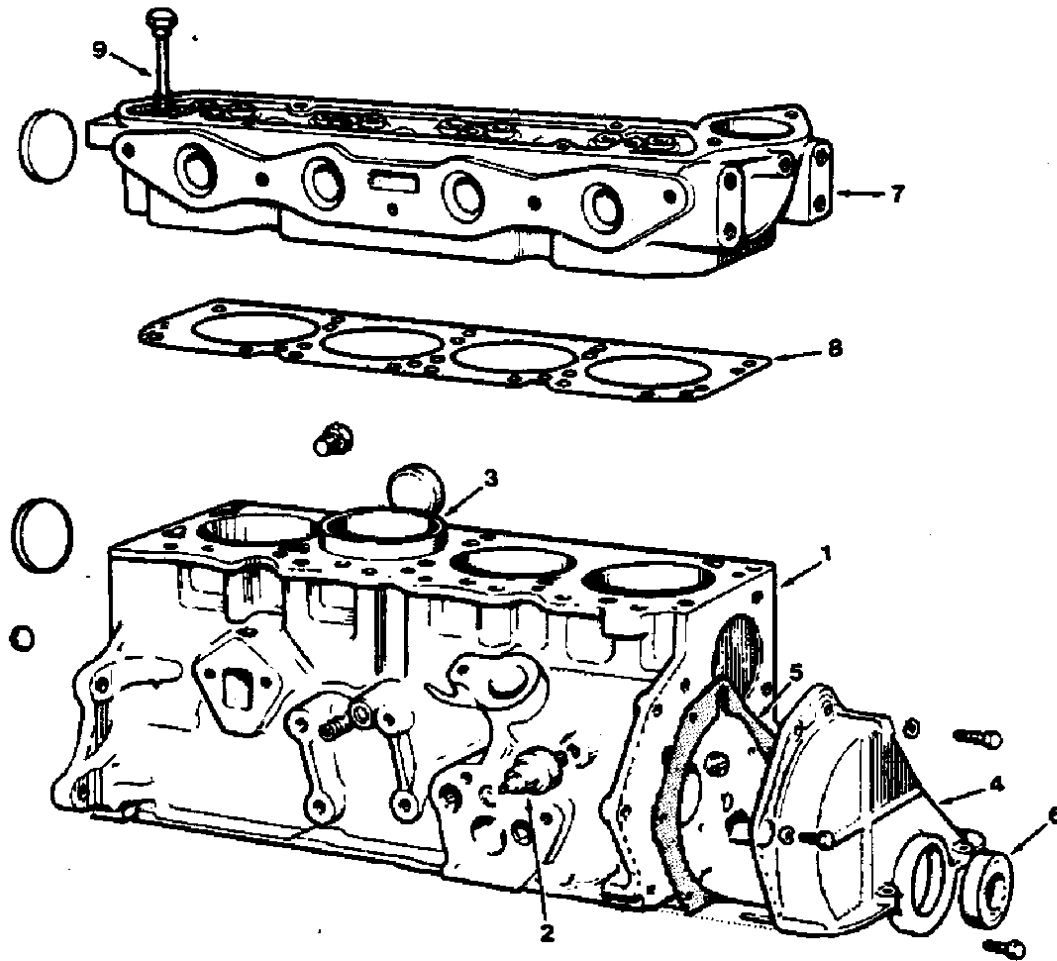
**SI UNITS OF MEASURE  
(INTERNATIONAL SYSTEM)**

Metric equivalents have been included, where applicable, throughout this parts catalog.

**FASTENER STRENGTH IDENTIFICATION**

Fasteners required to have high-strength qualities equivalent to SAE Grade 8 are identified throughout this catalog by the description GR 8. Unless identified by this description, all standard fasteners are SAE Grade 5.

(Specifications and design subject to change without notice.)



**Fig. 1 - Cylinder Block, Head, and Manifolds Group**

02311

Key	Tennant® Part No.	Ford Part Number	Engine Serial Number	Description	Qty.
1		711M-6010-BA	(000000- )	Block, Cylinder	1
		761F-6011-CA	(000000- )	Block, Cylinder With Pistons, Etc.	1
2	37351	D9ZZ-9278-A	(000000- )	Switch, Oil Pressure	1
3		DORY-6055-A	(000000- )	Liner, Cylinder Block, Standard	4
3		DORY-6055-B	(000000- )	Liner, Cylinder Block, 0.020" O/S	4
4		731M-6059-BA	(000000- )	Front Cover	1
5	37333	D1FZ-6020-B	(000000- )	Gasket, Front Cover	1
6	37342	D1FZ-6700-B	(000000- )	Seal, Front Cover Oil	1
7		761F-6049-AA	(000000- )	Head, Cylinder	1
8	54911-23	D8RZ-6051-B	(000000- )	Gasket, Cylinder Head	1
9		D1FZ-6065-B	(000000- )	Bolt, Cylinder Head	8
9		D1FZ-6065-C	(000000- )	Bolt, Cylinder Head	2
	38246	761F-9425-AA	(000000- )	Manifold, Intake	1
		113765-ES2	(000000- )	Stud	2
	58049	711F-9430-AC	(000000- )	Manifold, Exhaust	1
	54911-22	DORY-9441-A	(000000- )	Gasket, Intake Manifold	1
	54911-20	DORY-9448-A	(000000- )	Gasket, Exhaust, Inner	1
	54911-21	DORY-9448-B	(000000- )	Gasket, Exhaust, Outer	2



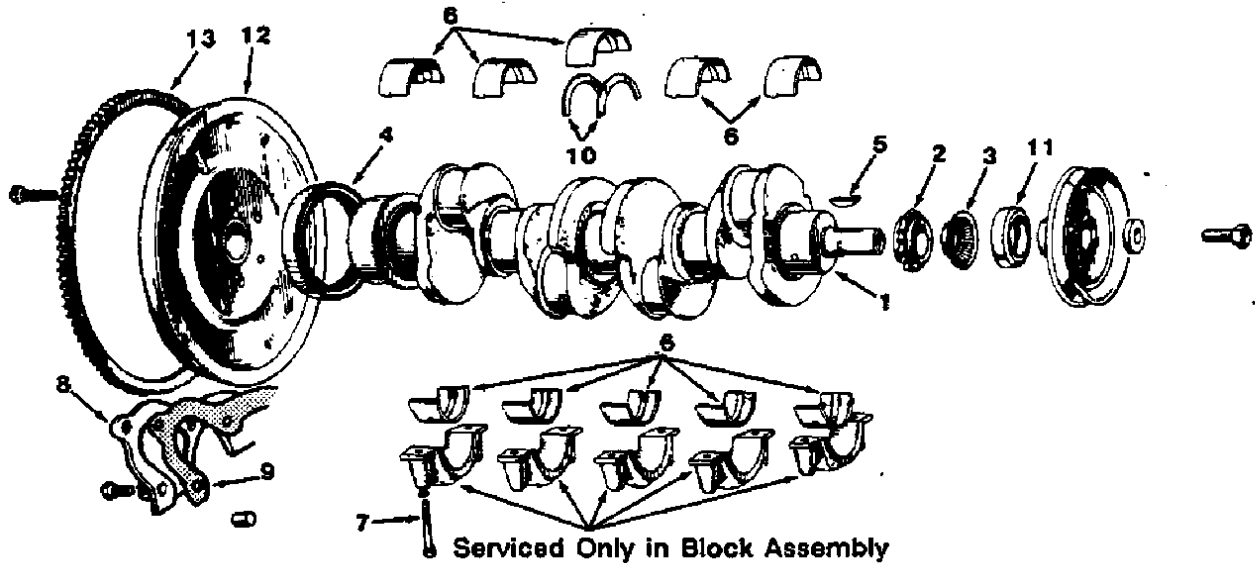


Fig. 2 - Crankshaft Group

02312

Key	TENNANT® Part No.	Ford Part Number	Engine Serial Number	Description	Qty.
1		D1FZ-6303-B	(000000-	Crankshaft	1
2	37321	DORY-6306-A	(000000-	Sprocket	1
3		D1FZ-6310-A	(000000-	Slinger	1
4	37343	D1FZ-6701-A	(000000-	Seal, Crankshaft Rear	1
5	37312	DORY-6B316-A	(000000-	Key	1
6		D8RZ-6333-A	(000000-	Bearing, Standard O.D. and Standard I.D.	5
6		D8RZ-6333-D	(000000-	Bearing, Standard O.D. and 0.010" Undersize I.D.	As Req.
6		D8RZ-6333-T	(000000-	Bearing, Standard O.D. and 0.020" Undersize I.D.	As Req.
6		D8RZ-6333-F	(000000-	Bearing, Standard O.D. and 0.030" Undersize I.D.	As Req.
6		D8RZ-6333-AA	(000000-	Bearing, 0.015" Oversize O.D. and Standard I.D.	As Req.
6		D2FZ-6333-C	(000000-	Bearing, 0.015" Oversize O.D. and 0.010" Undersize I.D.	As Req.
6		D8RZ-6333-Y	(000000-	Bearing, 0.015" Oversize O.D. and 0.020" Undersize I.D.	As Req.
6		D8RZ-6333-Z	(000000-	Bearing, 0.015" Oversize O.D. and 0.030" Undersize I.D.	As Req.
7		D1FZ-6345-B	(000000-	Bolt, Main Bearing Cap	10
8		D1FZ-6335-C	(000000-	Retainer	1
9		DORY-6344-A	(000000-	Gasket	1
10	37689	D1FZ-6A355-A	(000000-	Washer, Main Bearing, Standard, 2.938" O.D.	2
10	37330	D1FZ-6A355-C	(000000-	Washer, Main Bearing, 0.005" O/S	As Req.
10		D1FZ-6A355-D	(000000-	Washer, Main Bearing, 0.0075" O/S	As Req.
10		D1FZ-6A355-E	(000000-	Washer, Main Bearing, 0.010" O/S	As Req.
11	37342	D1FZ-6700-B	(000000-	Seal, Front Cover	1
12		731M-6375-BA	(000000-	Flywheel	1
13	37719	D1FZ-6384-A	(000000-	Gear, Flywheel Ring	1

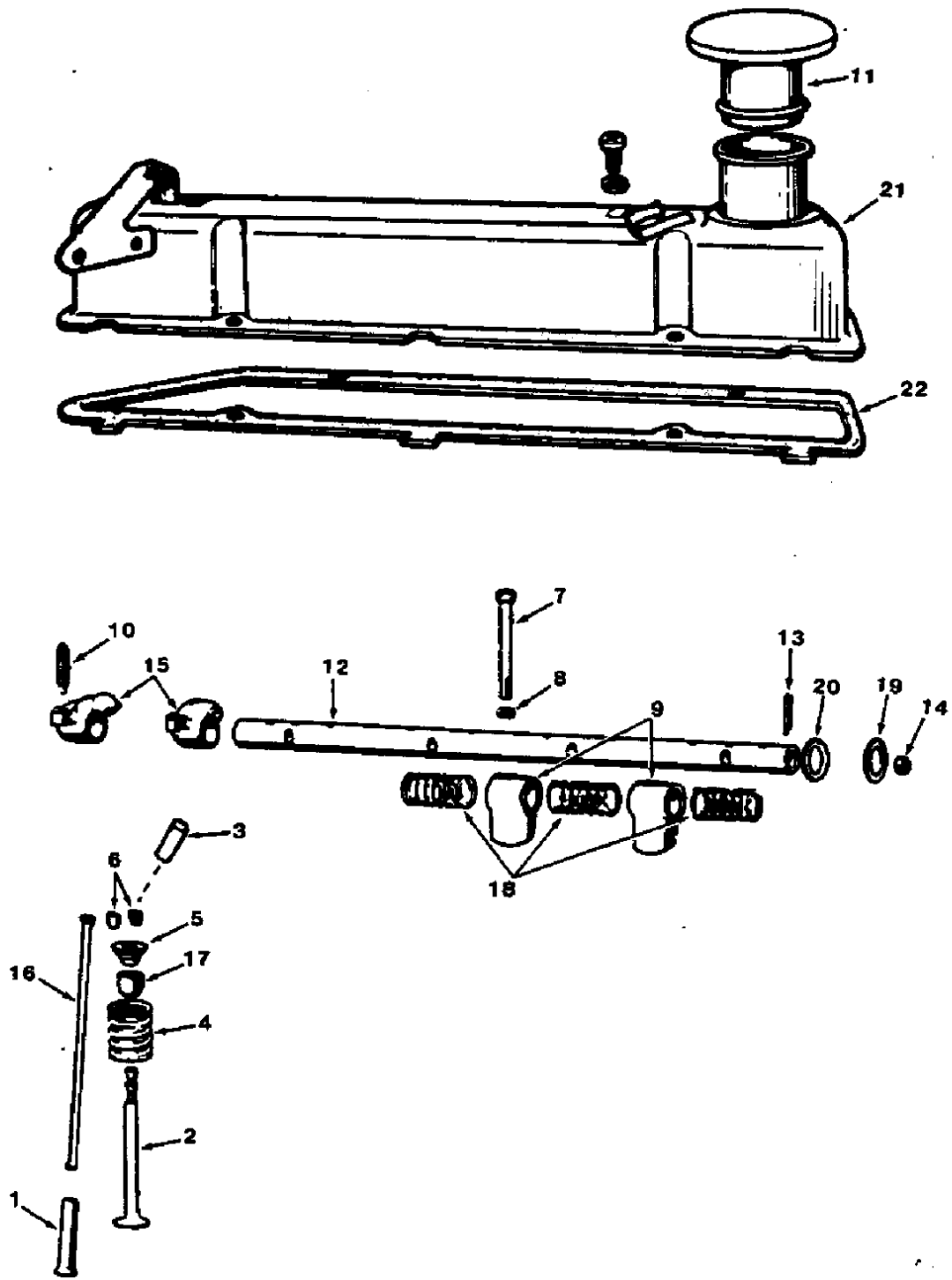


Fig. 3 - Valves and Valve Cover Group

Fig. 3 - Valves and Valve Cover Group

Key	Tennant® Part No.	Ford Part Number	Engine Serial Number	Description	Qty.
1		D1FZ-6500-A	(000000-	) Tappet, Standard 0.515" Stem O.D.	8
		D1FZ-6500-B	(000000-	) Tappet, 0.004" Oversize	As Req.
2		801M-6507-GA	(000000-	) Valve, Standard, 1 Groove, Intake	4
		801M-6507-HA	(000000-	) Valve, 0.015" Oversize, 1 Groove, Intake	As Req.
2	37368	731M-6505-AA	(000000-	) Valve, Standard, 1 Groove, Exhaust	4
2		731M-6505-CA	(000000-	) Valve, 0.015" Oversize, 1 Groove, Exhaust	As Req.
3	37308	DORY-6510-A	(000000-	) Bushing, Valve Guide, Intake, 1.825", Plain	As Req.
3		DORY-6510-C	(000000-	) Bushing, Valve Guide, Intake, 1.825", Shouldered	As Req.
3	37309	DORY-6510-B	(000000-	) Bushing, Valve Guide, Exhaust, 2.075", Plain	As Req.
3		DORY-6510-D	(000000-	) Bushing, Valve Guide, Exhaust, 2.075", Shouldered	As Req.
4	37340	D1FZ-6513-D	(000000-	) Spring	8
5		D1FZ-6514-B	(000000-	) Retainer	8
6		2724E-6518-A	(000000-	) Key	16
7		DORY-6A527-A	(000000-	) Bolt	4
8		DORY-6A528-A	(000000-	) Washer	4
9		DORY-6531-A	(000000-	) Support	4
10	37693	DORY-6549-B	(000000-	) Screw	8
11	50352	D1FZ-6766-B	(000000-	) Cap	1
12		DORY-6563-B	(000000-	) Shaft	1
13		72034-S	(000000-	) Pin, Cotter, 1" Long	2
14		DORY-6026-D	(000000-	) Plug	2
15		DORY-6564-D	(000000-	) Arm, R.H.	4
15		DORY-6564-C	(000000-	) Arm, L.H.	4
16		DORY-6565-A	(000000-	) Rod, Push	8
17	38250	E2JL-6571-AA	(000000-	) Seal	8
18		DORY-6587-A	(000000-	) Spring, Valve Rocker To Shaft	3
19		DORY-6590-A	(000000-	) Washer, Flat Type	4
20		DORY-6598-A	(000000-	) Washer, Spring Type	2
21	37358	701M6582-GA	(000000-	) Cover	1
22	54911-24	D1FZ-6584-C	(000000-	) Gasket	1

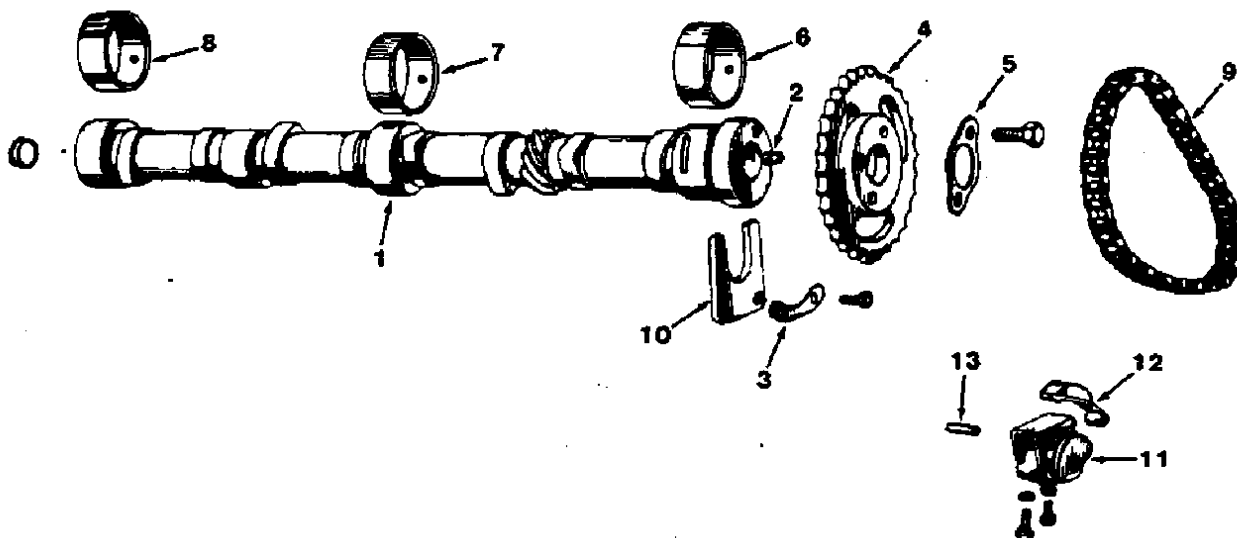


Fig. 4 - Camshaft Group

00746

Key	Tennant® Part No.	Ford Part Number	Engine Serial Number	Description	Qty.
1		711F-6250-DA	(000000- )	Camshaft	1
2		DORY-6253-A	(000000- )	Dowel	1
3		DORY-6255-A	(000000- )	Retainer	1
4	37315	DORY-6256-A	(000000- )	Sprocket	1
5		DORY-6258-A	(000000- )	Retainer	1
6	37316	DORY-6261-A	(000000- )	Bearing, Front, Standard I.D. and O.D.	1
6	37317	DORY-6261-B	(000000- )	Bearing, Front, Standard I.D. and 0.020" O.S. - O.D.	As Req.
7	37306	DORY-6262-A	(000000- )	Bearing, Center, Standard I.D. and O.D.	1
7	38242	DORY-6262-B	(000000- )	Bearing, Center, Standard I.D. and 0.020" O.S. - O.D.	As Req.
8		DORY-6263-A	(000000- )	Bearing, Rear, Standard I.D. and O.D.	1
8		DORY-6263-B	(000000- )	Bearing, Rear, Standard I.D. and 0.020" O.S. - O.D.	As Req.
9	37307	DORY-6268-A	(000000- )	Chain	1
10		DORY-6269-A	(000000- )	Plate	1
11	37337	D1FZ-6284-A	(000000- )	Tensioner	1
12	37338	D1FZ-6285-A	(000000- )	Arm	1
13	37694	D1FZ-6286-A	(000000- )	Pin	1

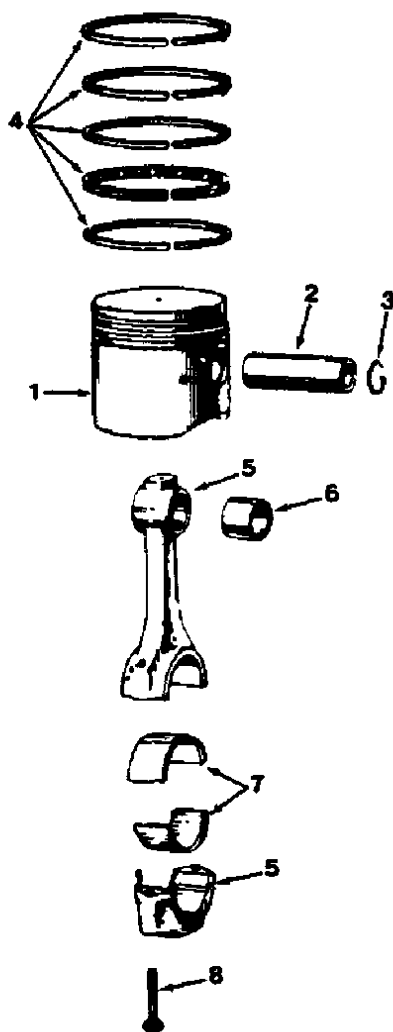


Fig. 5 - Piston and Connecting Rod Group

00742

Key	Tennant® Part No.	Ford Part Number	Engine Serial Number	Description	Qty.
1		751M-6102-ARB	(000000- )	Piston, Standard	4
1		751M-6102-AUB	(000000- )	Piston, 0.030" Oversize	As Req.
2		DORY-6135-A	(000000- )	Pin, Standard	4
2		DORY-6135-C	(000000- )	Pin, 0.002" Undersize	As Req.
3		DORY-6140-A	(000000- )	Retainer, Pin	8
4		751M-6149-AA	(000000- )	Ring Set, Piston, Standard	1
4		751M-6149-DA	(000000- )	Ring, Piston, 0.030" Oversize	As Req.
5		DORY-6200-A	(000000- )	Rod Assembly	4
6		105E-6207-B	(000000- )	Bushing	4
7	38243	D1FZ-6211-AA	(000000- )	Bearing, Standard	8
7		D1FZ-6211-AB	(000000- )	Bearing, 0.001" Undersize	As Req.
7		D1FZ-6211-AC	(000000- )	Bearing, 0.002" Undersize	As Req.
7	37335	D1FZ-6211-AD	(000000- )	Bearing, 0.010" Undersize	As Req.
7		D1FZ-6211-AE	(000000- )	Bearing, 0.020" Undersize	As Req.
7		D1FZ-6211-AF	(000000- )	Bearing, 0.030" Undersize	As Req.
7		D1FZ-6211-AG	(000000- )	Bearing, 0.040" Undersize	As Req.
8		DORY-6214-A	(000000- )	Bolt, 0.38" - 24 X 1.718"	8

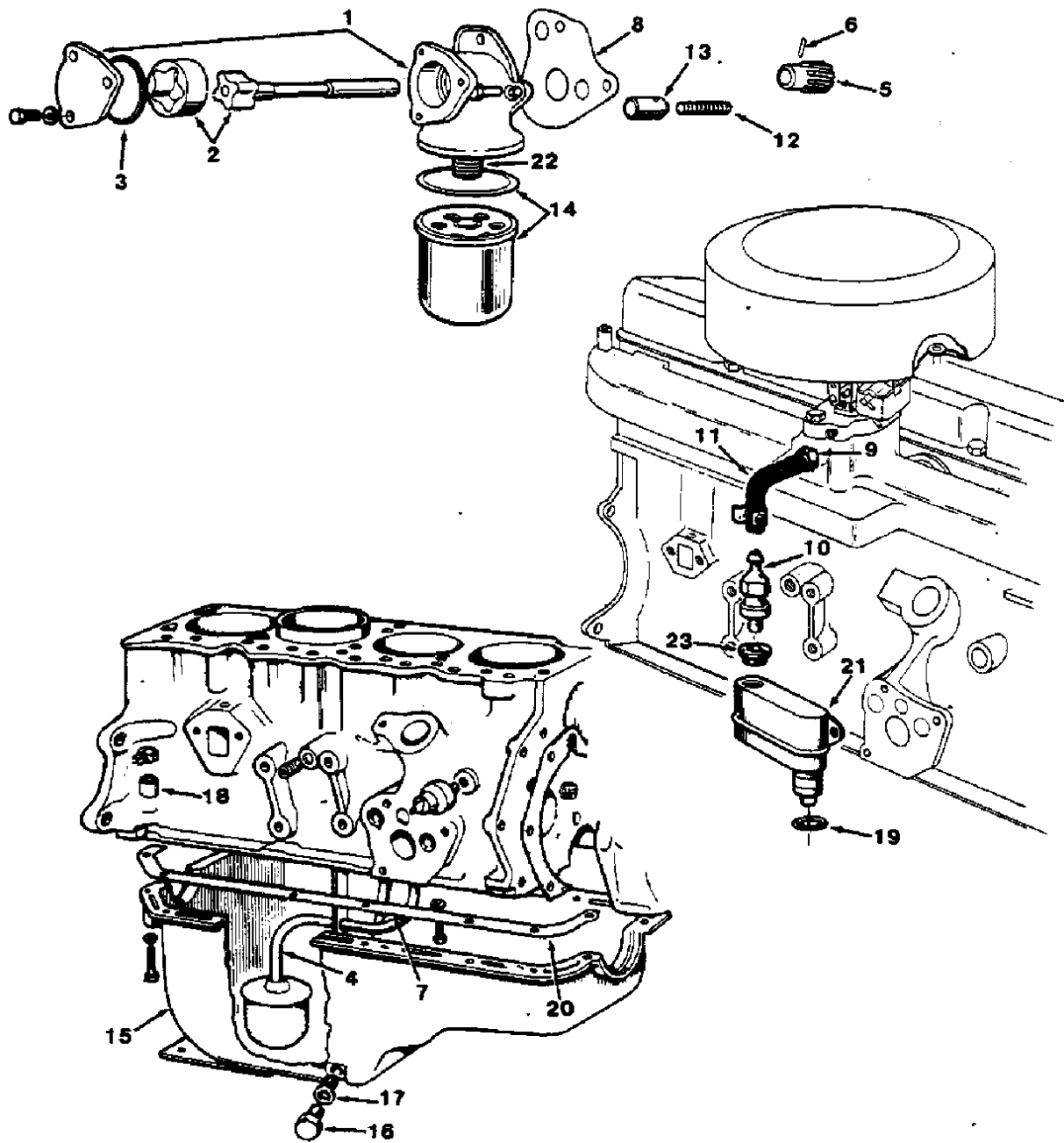
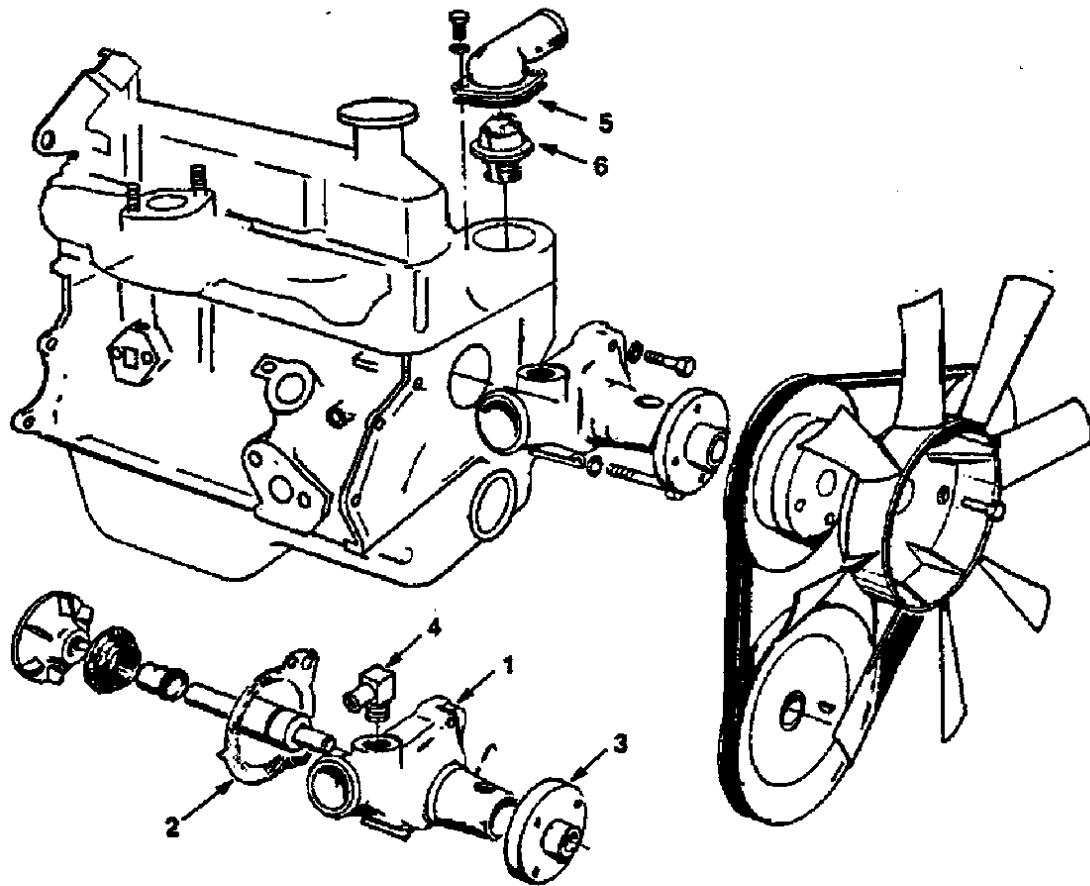


Fig. 6 - Oil Pump, Filter, and PCV Group

Fig. 6 - Oil Pump, Filter, and PCV Group

Key	Tennant® Part No.	Ford Part Number	Engine Serial Number	Description	Qty.
1	37844	731M-6600-AA	(000000-	Oil Pump	1
2		D1FZ-6608-B	(000000-	Rotor and Shaft	1
3	37403	116682-ES	(000000-	O-Ring	1
4		DORY-6622-A	(000000-	Tube, Oil Pickup	1
5		DORY-6652-A	(000000-	Gear	1
6		72432-S	(000000-	Pin	1
7		DORY-6K656-A	(000000-	Tube, Oil Return	1
8	37341	D1FZ-6659-A	(000000-	Gasket	1
9		DORY-6A665-A	(000000-	Adaptor, Crankcase Ventilation	1
10	38245	73HF-6A666-AB	(000000-	Valve, Crankcase Ventilation, PCV	1
11		751F-6K609-AB	(000000-	Hose, PCV	1
12		DORY-6670-A	(000000-	Spring	1
13		DORY-6674-A	(000000-	Plunger	1
14	58122	FI-271	(000000-	Oil Filter	1
15	37326	DORY-6675-C	(000000-	Oil Pan	1
16	37354	D6TZ-6730-A	(000000-	Plug, Oil Drain	1
17	37303	C20Z-6734-A	(000000-	Gasket, Oil Drain	1
18	54911-27	DORY-6754-A	(000000-	Tube, Oil Level Indicator	1
19		DORY-6K777-A	(000000-	O-Ring	1
20	37344	D1FZ-6781-B	(000000-	Gasket, Oil Pan	1
21		D1FZ-6A785-B	(000000-	Separator	1
22		D1FZ-6890-B	(000000-	Insert, Oil Filter Mounting Bolt	1
23		C8SZ-6A892-A	(000000-	Grommet, PCV Valve	1



**Fig. 7 - Water Pump and Thermostat Group**

02315

Key	TENNANT® Part No.	Ford Part Number	Engine Serial Number	Description	Qty.
1	33864		(000000- )	Replacement Kit, Water Pump	1
2	37325	DORY-8507-A	(000000- )	Gasket	1
3		DORY-8553-A	(000000- )	Hub	1
4	51839		(000000- )	Fitting, Elbow	1
5	54911-25	D1FZ-8255B	(000000- )	Gasket	1
6	37327	D4PZ-8575-A	(000000- )	Thermostat	1



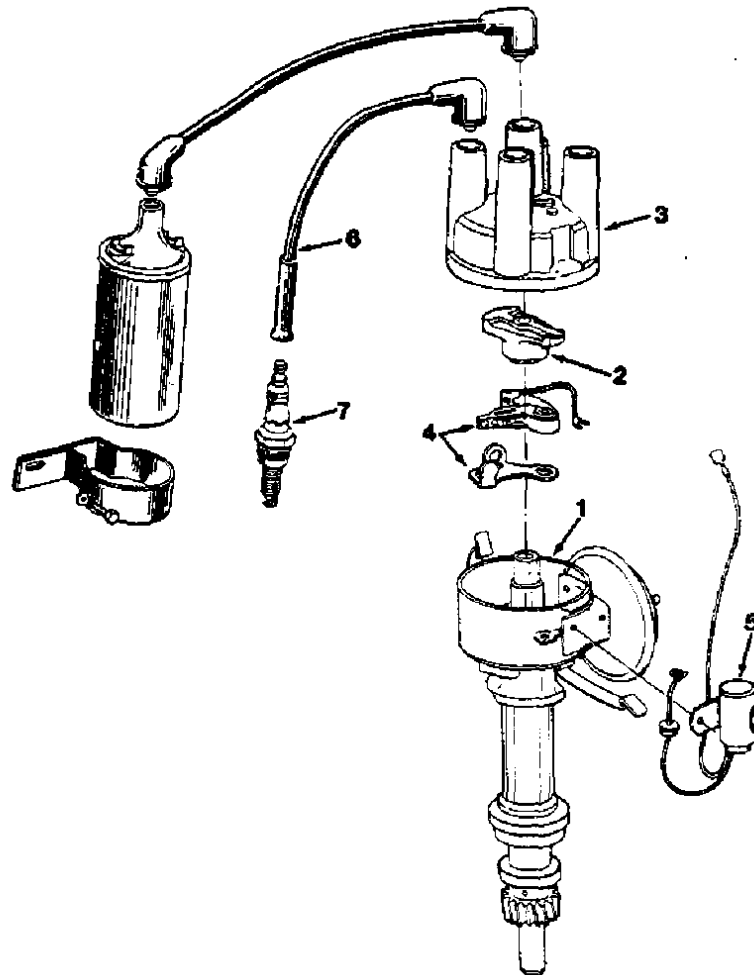


Fig. 8 - Distributor and Spark Plugs Group

02526

Key	Tennant® Part No.	Ford Part Number	Engine Serial Number	Description	Qty.
1	06997		(000000- )	Distributor Kit	1
2	82697		(000000- )	Rotor, Overspeed Protection	1
3	58507	DH157	(000000- )	Cap	1
4	58506	77BF-12107-AA	(000000- )	Points Set	1
5	58509	831F-12300-AA	(000000- )	Condenser	1
6	37328	WR3817B	(000000- )	Wire Kit, Ignition	1
		721F-12283-BA	(000000- )	Wire, No. 2	1
		721F-12284-AA	(000000- )	Wire, No. 3	1
		721F-12286-BA	(000000- )	Wire, No. 1	1
		721F-12287-AA	(000000- )	Wire, No. 4	1
7	45770-8	AGR-22	(000000- )	Spark Plug	4

Note: To Identify Parts Shown But Not Listed Here, See Section 5, Standard Model Parts.

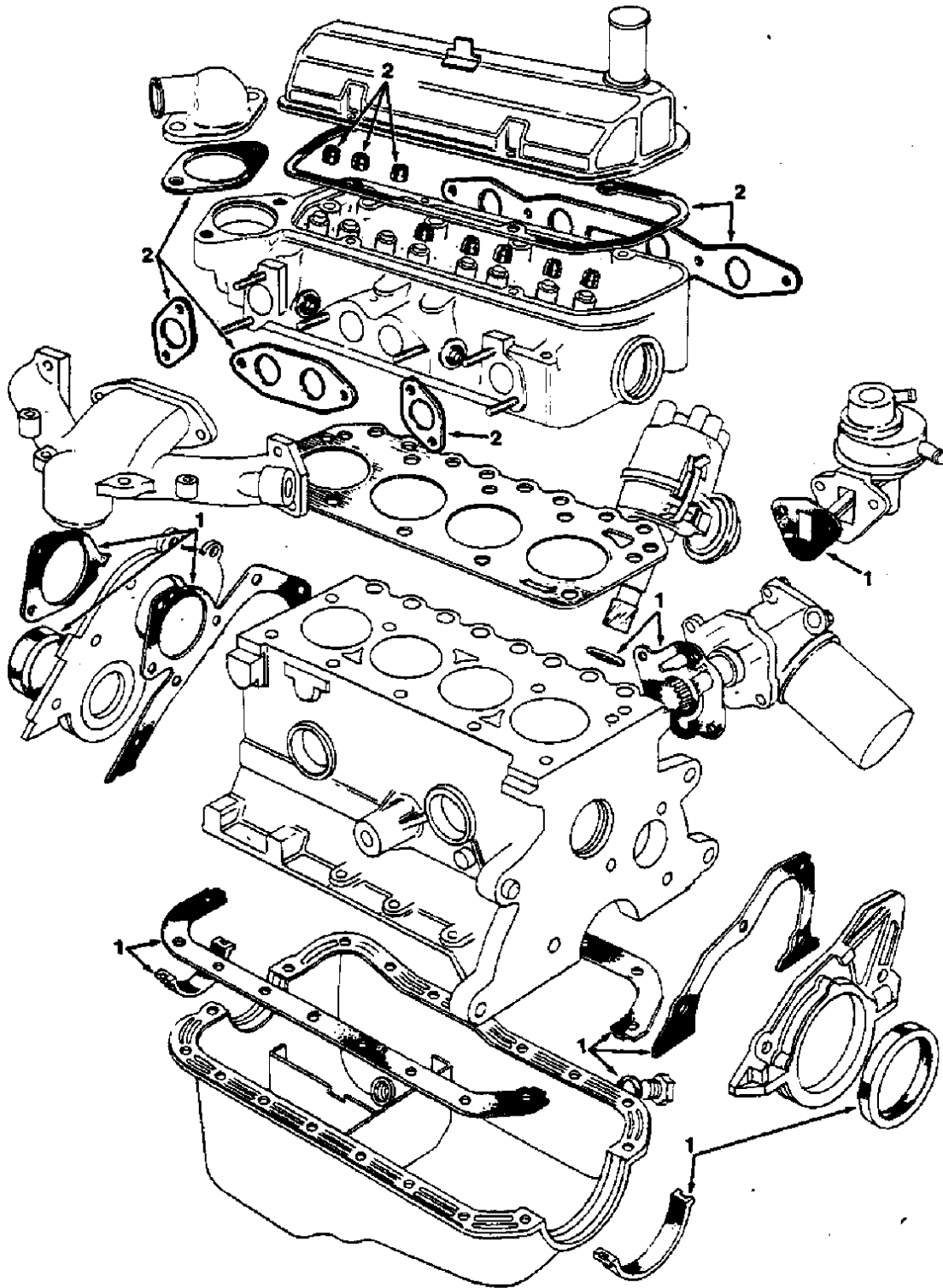


Fig. 9 - Gasket Kits Group

00749

Key	Tennant® Part No.	Ford Part Number	Engine Serial Number	Description	Qty.
1	37332	D1FZ-6008-A	(000000- )	Gasket Kit, Engine Overhaul	1
2	37334	D1FZ-6079-A	(000000- )	Gasket Kit, Valve Grind	1

---

# SECTION 13 ENGINE PARTS, DIESEL

## CONTENTS

	Page
Ordering Repair Parts .....	13-1
Fig. 1 - Block Group .....	13-2
Fig. 2 - Cylinder Head Group .....	13-4
Fig. 3 - Rocker Shaft Group .....	13-6
Fig. 4 - Cover Group .....	13-8
Fig. 5 - Camshaft Group .....	13-10
Fig. 6 - Induction Manifold Group .....	13-12
Fig. 7 - Exhaust Manifold Group .....	13-13
Fig. 8 - Crankshaft Group .....	13-14
Fig. 9 - Oil Sump Group .....	13-16
Fig. 10 - Oil Pump Group .....	13-18
Fig. 11 - Oil Filter Group .....	13-19
Fig. 12 - Sheave Group .....	13-20
Fig. 13 - Water Pump Group .....	13-21
Fig. 14 - Fuel Filter Group .....	13-22
Fig. 15 - Injection Pump Group .....	13-24
Fig. 16 - Flywheel Housing Group .....	13-26
Fig. 17 - Gasket Kits .....	13-28

*NOTE: Section 13, Engine Parts, Diesel, lists the repair parts for a Perkins diesel powered engine, Tennant Company part number 57381.*



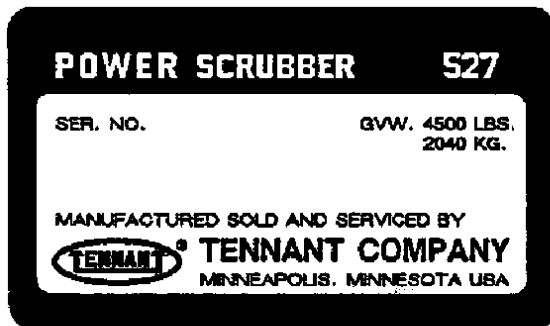
## ORDERING REPAIR PARTS

The components used in this machine have been carefully selected for performance and safety. Use only Tennant Company specified or equivalent parts.

To receive prompt service in filling of your parts orders, please direct all orders for parts with Tennant Company part numbers to the Tennant Company, and all orders for parts with vendor part numbers to the local supplier of the respective vendor.

When ordering parts, please furnish all of the following information:

1. Machine model number - shown on the machine data plate.



2. Machine serial number - shown on the machine data plate.
3. Power source - gasoline, LPG, diesel, electric.
4. Company name.
5. Shipping address.
6. Billing address.
7. Name, first and last - of person ordering parts.
8. Telephone number.
9. Purchase order number.
10. Part number, description, and quantity - of each item on the order.

Do not order parts by key number or the figure number of the illustrated parts. Indented items indicate parts of assemblies. Standard hardware is furnished only when part of a purchased assembly. Please get hardware from a local hardware supplier.

If the old part cannot be identified, send it to us with the quantity needed specified on the order.

Any claim for loss or damage to a shipment in transit should be filed promptly against the transportation company making the delivery. Shipments will be complete unless the packing list or order acknowledgement indicate items back ordered.

If parts received are suspected to be incorrect or defective, please write, wire, or phone the Tennant Company representative from whom you ordered the part. They will give authorization for return and/or handle replacement shipments when required.

## SERIAL NUMBER INFORMATION EXPLANATION

Serial number listings are shown to indicate on which machines each part can be used. These listings are explained by the following examples:

(000000- ) The part can be used on all machines.

(003342- ) The part can be used on all machines beginning with the serial number listed.

(000000-004320) The part can be used on all machines up to and including serial number listed.

(004321-005678) The part can be used on all machines between and including the serial numbers listed.

Where xxxxxx's are listed in place of a serial number, it indicates a change was made but the exact serial number had not been established when the catalog went to press.

SI UNITS OF MEASURE  
(INTERNATIONAL SYSTEM)

Metric equivalents have been included, where applicable, throughout this parts catalog.

## FASTENER STRENGTH IDENTIFICATION

Fasteners required to have high-strength qualities equivalent to SAE Grade 8 are identified throughout this catalog by the description GR 8. Unless identified by this description, all standard fasteners are SAE Grade 5.

(Specifications and design subject to change without notice.)

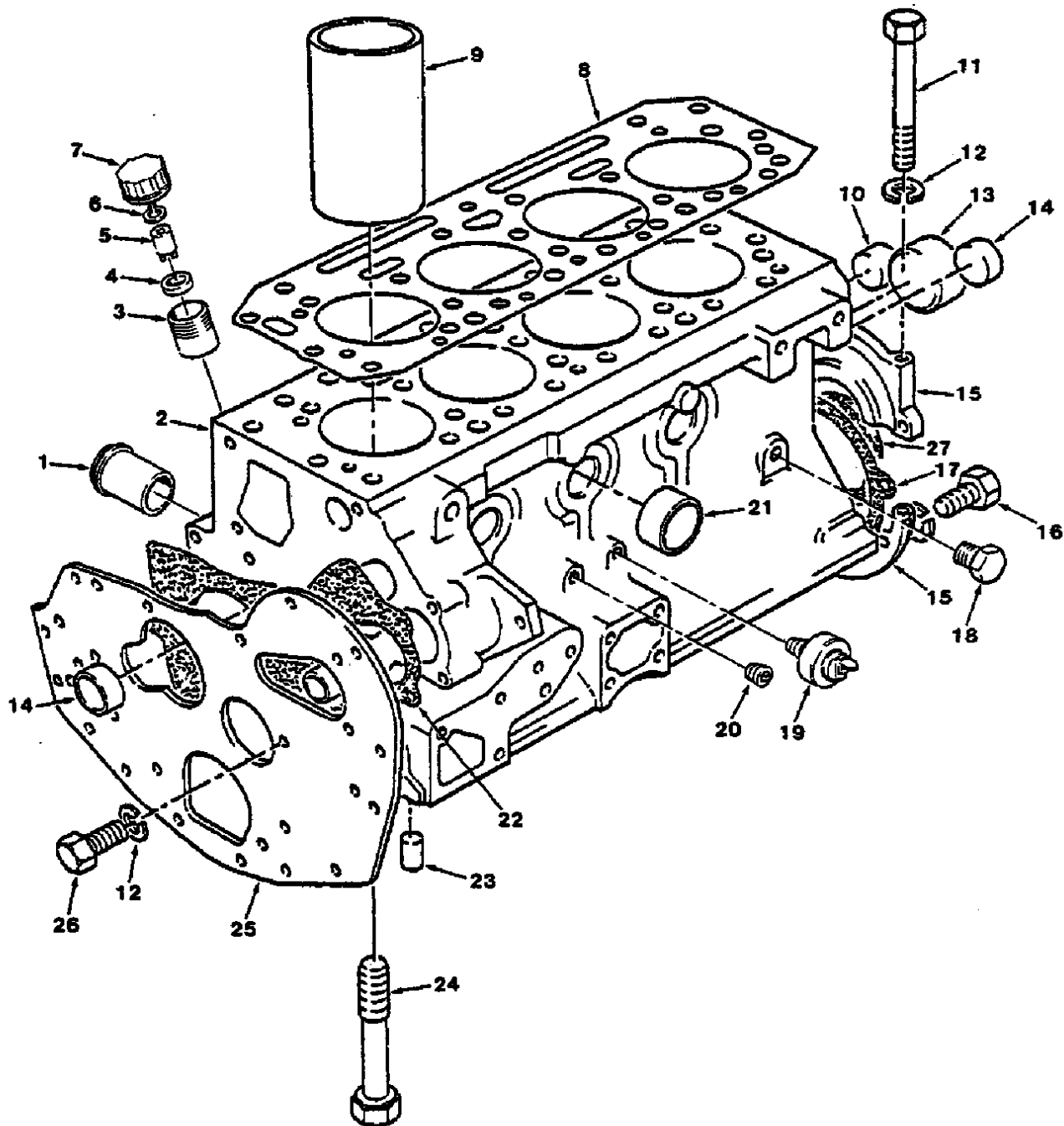


Fig. 1 - Block Group

Fig. 1 - Block Group

Key	Tennant® Part No.	Perkins Part Number	Engine Serial Number	Description	Qty.
1		0201297	(000000- )	Connection	1
2		62111	(000000- )	Block	1
3		0770101	(000000- )	Sleeve	1
4		0050358	(000000- )	Bearing	1
5		33473107	(000000- )	Shaft	1
6		0170052	(000000- )	Circlip	1
7		32813106	(000000- )	Nut, Cap	1
8		36812134	(000000- )	Gasket	1
9		31358117	(000000- )	Liner	4
10		0650664	(000000- )	Plug	1
11		0096238	(000000- )	Screw	2
12		0920053	(000000- )	Washer	2
13		0650777	(000000- )	Plug	1
14		0650710	(000000- )	Plug	2
15		90990	(000000- )	Cover	1
16		0746259	(000000- )	Screw	6
17		36826114	(000000- )	Joint	1
18		32161114	(000000- )	Plug	2
19		2848062	(000000- )	Switch	1
20		0650594	(000000- )	Plug	1
21		0650563	(000000- )	Plug	3
22		0490740	(000000- )	Joint	1
23		0350014	(000000- )	Dowel	6
24		32166216	(000000- )	Screw	6
25		36256717	(000000- )	Plate	1
26		0746254	(000000- )	Screw	4
27		36883107	(000000- )	Seal	2

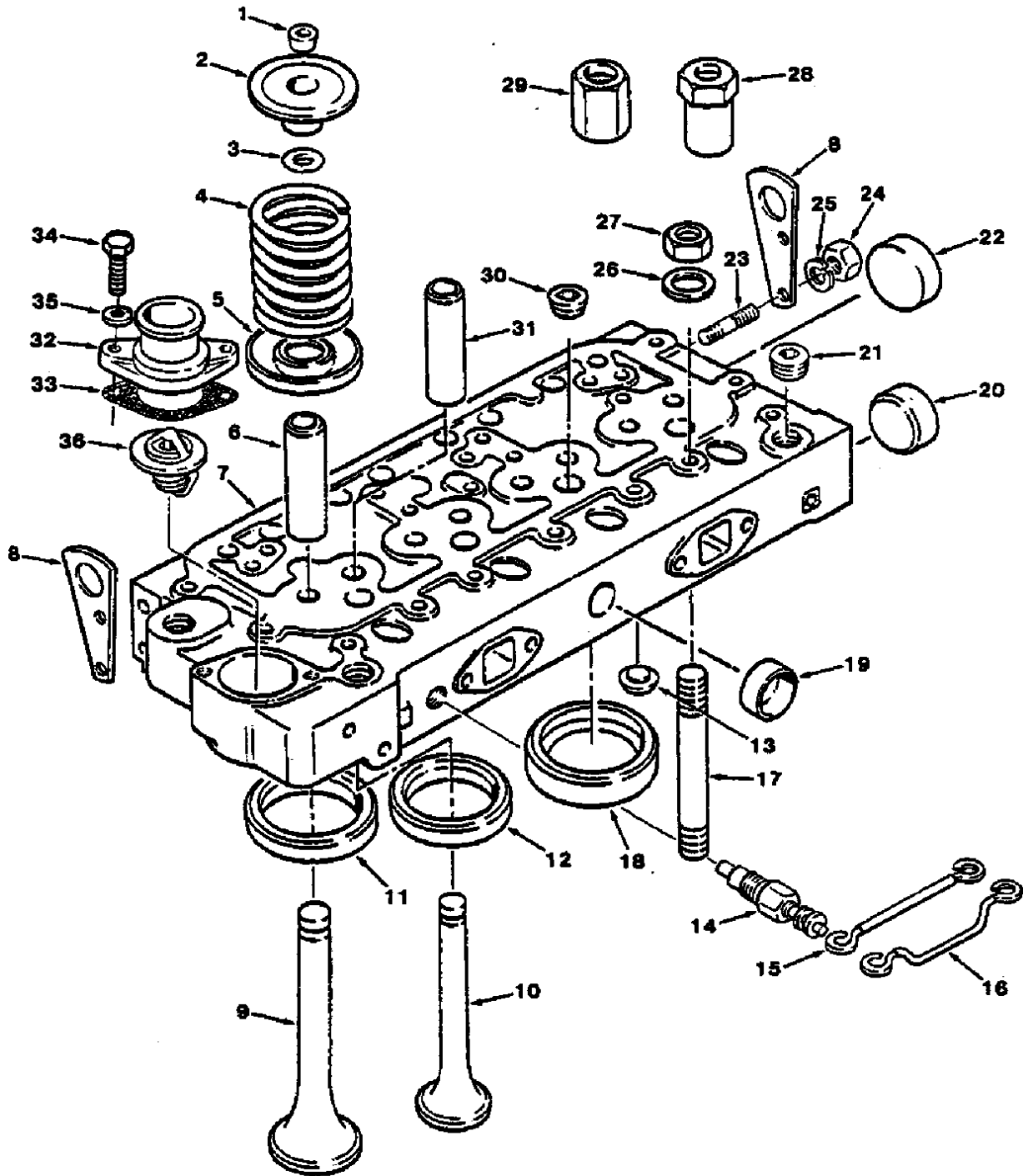


Fig. 2 - Cylinder Head Group



Fig. 2 - Cylinder Head Group

Key	Tennant® Part No.	Perkins Part Number	Engine Serial Number	Description	Qty.
1		0230001	(000000- )	Cotter	8
2		0150129	(000000- )	Cap	8
3		33817403	(000000- )	Seal	8
4		0780144	(000000- )	Spring	8
5		0921117	(000000- )	Seat	8
6		3313E001	(000000- )	Guide	4
7		68176	(000000- )	Head, Cylinder	1
8		0940990	(000000- )	Plate	1
9		0910060	(000000- )	Valve	4
10		0910061	(000000- )	Valve	4
11		33124424	(000000- )	Insert	4
12		33123411	(000000- )	Insert	4
13		0921249	(000000- )	Washer	4
14		2666408	(000000- )	Glow Plug	4
15		34165132	(000000- )	Bar	1
16		34165129	(000000- )	Bar	2
17		32524148	(000000- )	Stud	18
18		37443591	(000000- )	Insert	4
19		0650664	(000000- )	Plug	1
20		0650576	(000000- )	Plug	1
21		2431154	(000000- )	Plug	3
22		0650563	(000000- )	Plug	1
23		0826478	(000000- )	Stud	2
24		0576051	(000000- )	Nut	2
25		0920054	(000000- )	Washer	2
26		33115411	(000000- )	Washer	18
27		33221317	(000000- )	Nut	11
28		33531117	(000000- )	Nut	6
29		33287314	(000000- )	Nut	1
30		2431A054	(000000- )	Plug	4
31		33261723	(000000- )	Guide	4
32		0200666	(000000- )	Connection	1
33		0490184	(000000- )	Joint	1
34		0096433	(000000- )	Bolt	2
35		0920155	(000000- )	Washer	2
36		2485666	(000000- )	Thermostat	1

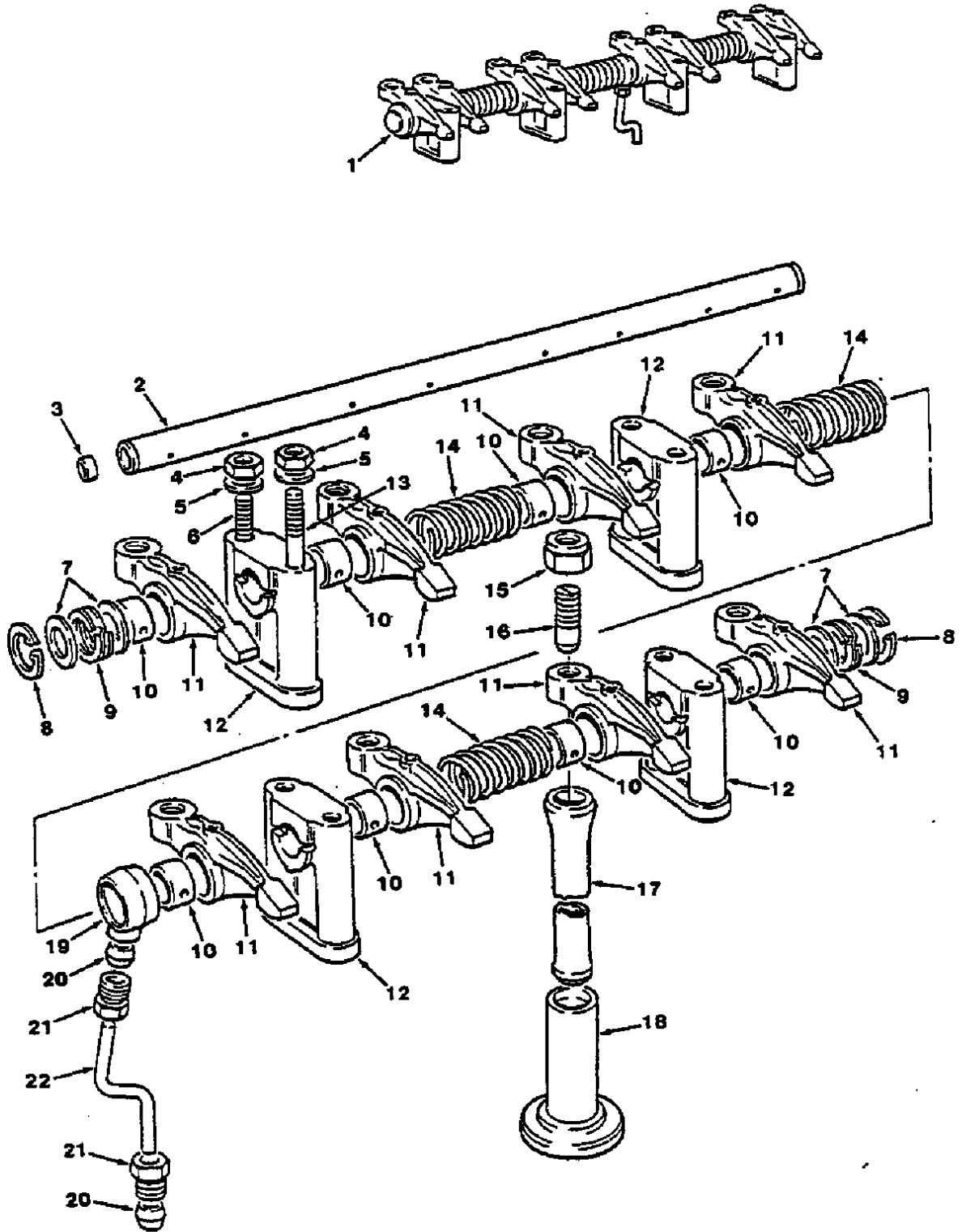


Fig. 3 - Rocker Shaft Group

Fig. 3 - Rocker Shaft Group

Key	Tennant® Part No.	Perkins Part Number	Engine Serial Number	Description	Qty.
1		93005	(000000- )	Shaft	1
2		55286	(000000- )	Shaft	1
3		0650507	(000000- )	Plug	2
4		0576302	(000000- )	Nut	6
5		0920003	(000000- )	Washer	6
6		0826250	(000000- )	Stud	6
7		0920485-	(000000- )	Washer	4
8		0170033	(000000- )	Circlip	2
9		0921122	(000000- )	Washer	2
10		0050132	(000000- )	Bushing, Set	1
11		41151472	(000000- )	Lever	8
12		0102202	(000000- )	Bracket	4
13		0825219	(000000- )	Stud	2
14		0780261	(000000- )	Spring	3
15		0576151	(000000- )	Nut	8
16		0720790	(000000- )	Screw	8
17		31434306	(000000- )	Rod	8
18		31434152	(000000- )	Tappet	8
19		0201318	(000000- )	Connection	1
20		0566002	(000000- )	Olive	2
21		0571351	(000000- )	Nut	2
22		34414122	(000000- )	Pipe	1

Home

Find...

Go To..



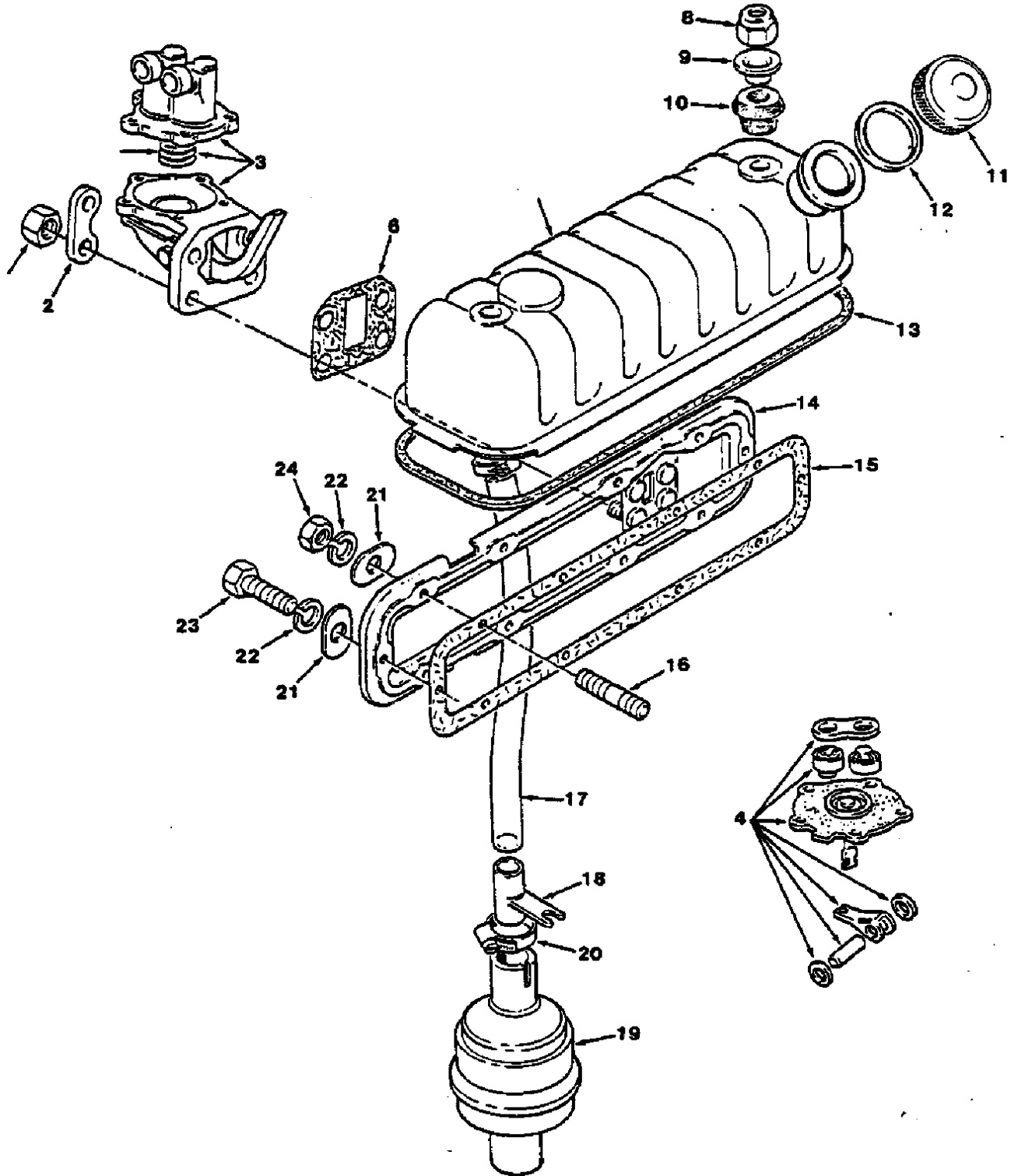


Fig. 4 - Cover Group

Fig. 4 - Cover Group

Key	TENNANT® Part No.	Perkins Part Number	Engine Serial Number	Description	Qty.
1		33221115	(000000- )	Nut	4
2		36241316	(000000- )	Plate	2
3		2641702	(000000- )	Pump, Fuel Lift	1
4	38747	26410096	(000000- )	Kit, Repair	1
5		0780240	(000000- )	Spring	1
6		36851113	(000000- )	Joint	1
7		37188137	(000000- )	Cover	1
8		0576102	(000000- )	Nut	2
9		0921116	(000000- )	Washer	2
10		0730116	(000000- )	Seal	2
11		2487841	(000000- )	Cap	1
12		24870001	(000000- )	Joint	1
13		0490724	(000000- )	Joint	1
14		37554591	(000000- )	Cover	1
15		36846412	(000000- )	Joint	1
16		0826249	(000000- )	Stud	8
17		33872312	(000000- )	Pipe	1
18		35731143	(000000- )	Pipe	1
19		2652845	(000000- )	Body	1
20		2481863	(000000- )	Clip	2
21		36151505	(000000- )	Washer	10
22		0920053	(000000- )	Washer	10
23		0746254	(000000- )	Screw	2
24		0576002	(000000- )	Nut	8

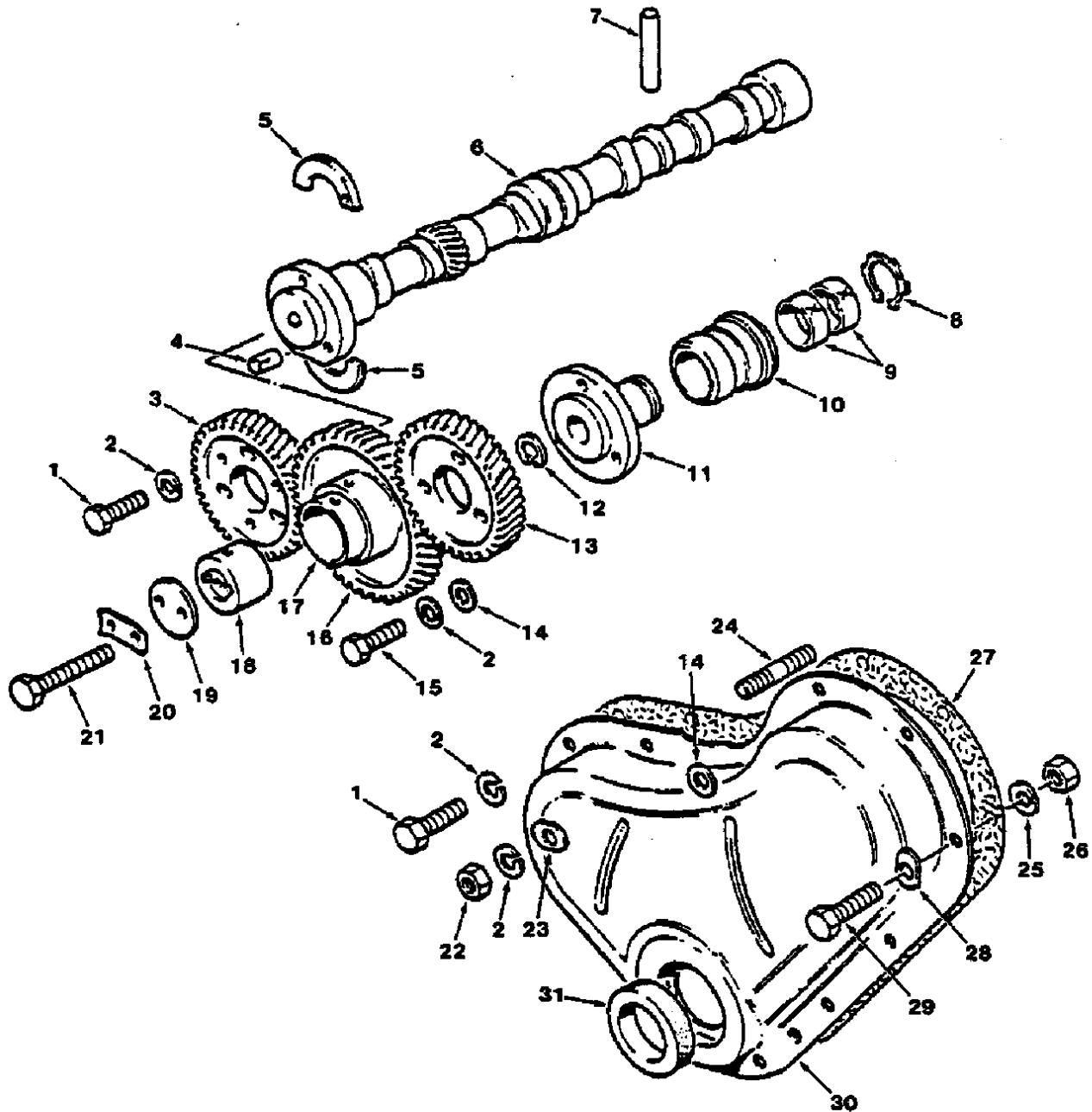
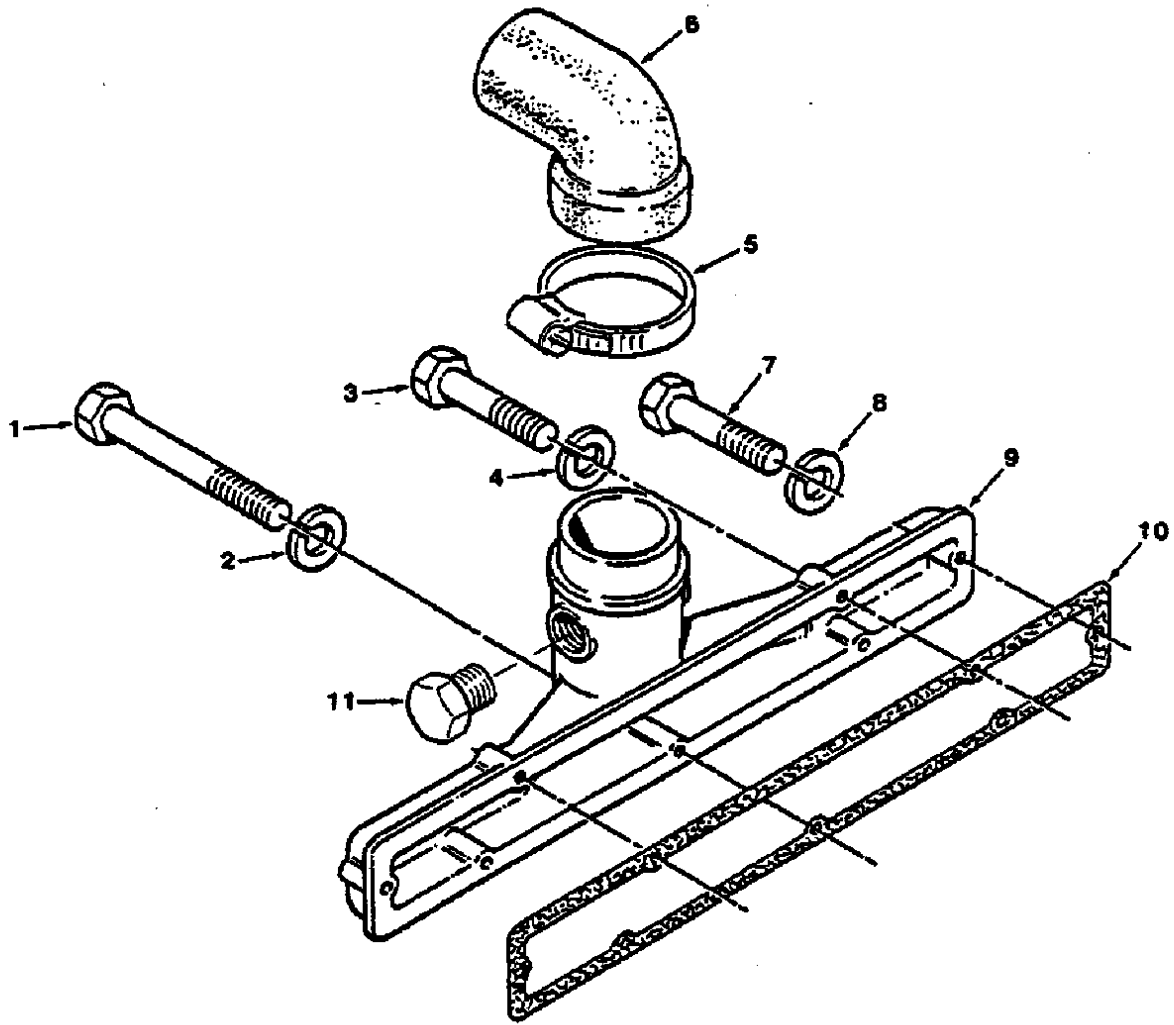


Fig. 5 - Camshaft Group

Fig. 5 - Camshaft Group

Key	Tennant® Part No.	Perkins Part Number	Engine Serial Number	Description	Qty.
1		0746255	(000000- )	Screw	11
2		0920053	(000000- )	Washer	12
3		31171541	(000000- )	Gear	1
4		2116053	(000000- )	Pin	1
5		36178509	(000000- )	Plate, Thrust	2
6		31415303	(000000- )	Camshaft	1
7		0700279	(000000- )	Rod	1
8		2724436	(000000- )	Circlip	1
9		2511447	(000000- )	Bushing	2
10		41425781	(000000- )	Housing	1
11		33472494	(000000- )	Hub	1
12		0170048	(000000- )	Circlip	1
13		31171542	(000000- )	Gear	1
14		0920003	(000000- )	Washer	4
15		0746355	(000000- )	Screw	3
16		41115036	(000000- )	Idler	1
17		31134137	(000000- )	Idler	1
18		33426516	(000000- )	Hub	1
19		0941044	(000000- )	Plate	1
20		0921159	(000000- )	Washer	1
21		0746461	(000000- )	Screw	2
22		0576002	(000000- )	Nut	1
23		36151505	(000000- )	Washer	1
24		0826201	(000000- )	Stud	1
25		0920052	(000000- )	Washer	4
26		0576001	(000000- )	Nut	4
27		36813145	(000000- )	Joint	1
28		36151506	(000000- )	Washer	4
29		0746052	(000000- )	Bolt	4
30		37161104	(000000- )	Case	1
31		2415338	(000000- )	Seal	1

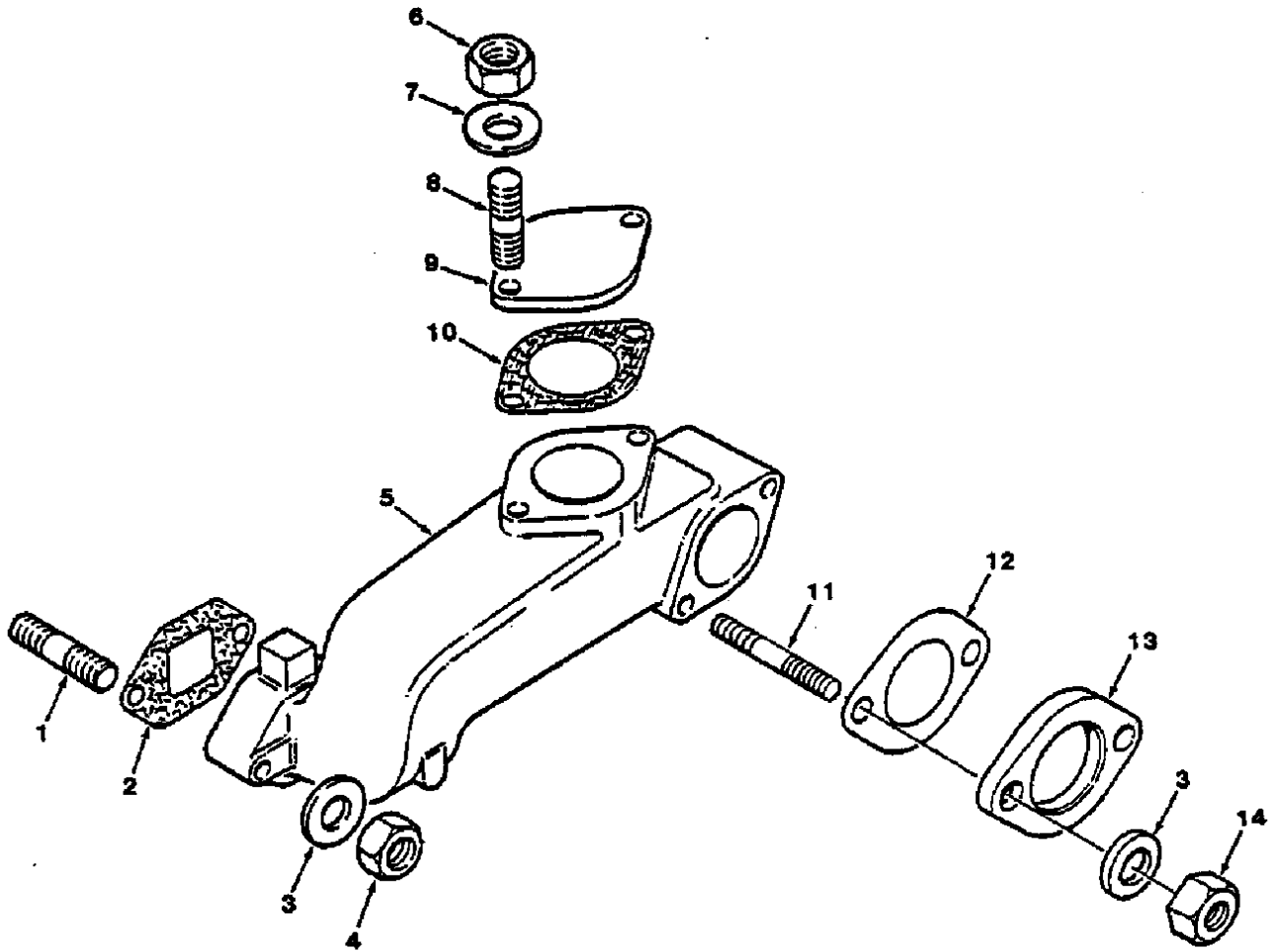


**Fig. 6 - Induction Manifold Group**

02949

Key	Tennant® Part No.	Perkins Part Number	Engine Serial Number	Description	Qty.
1		0096237	(000000- )	Screw	1
2		0920053	(000000- )	Washer	1
3		0096233	(000000- )	Bolt	2
4		0920053	(000000- )	Washer	2
5		0180070	(000000- )	Clip	1
6		0201455	(000000- )	Connection	1
7		0096231	(000000- )	Screw	2
8		0920053	(000000- )	Washer	2
9		37786175	(000000- )	Manifold	1
10		36846415	(000000- )	Joint	1
11		0650722	(000000- )	Plug	1





02835

Fig. 7 - Exhaust Manifold Group

Key	Tennant® Part No.	Perkins Part Number	Engine Serial Number	Description	Qty.
1		0826260	(000000- )	Stud	4
2		0490656	(000000- )	Joint	2
3		0920003	(000000- )	Washer	6
4		2188134	(000000- )	Nut	4
5		37783543	(000000- )	Manifold	1
6		2188134	(000000- )	Nut	2
7		0920003	(000000- )	Washer	2
8		0826242	(000000- )	Stud	2
9		0940357	(000000- )	Plate	1
10		0490656	(000000- )	Joint	1
11		0826242	(000000- )	Stud	2
12		0490228	(000000- )	Gasket	1
13		0380068	(000000- )	Flange	1
14		0576064	(000000- )	Nut	2

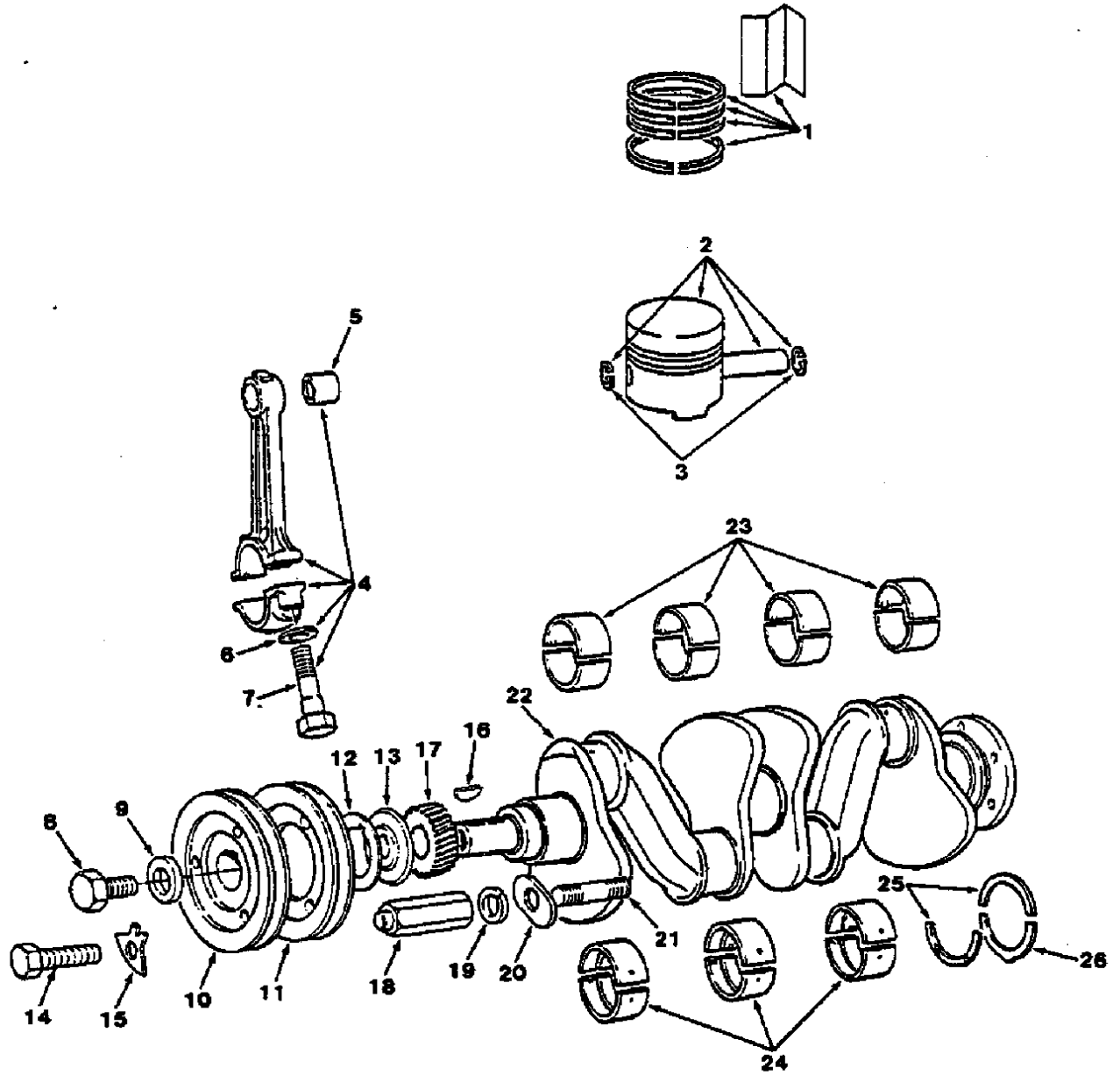


Fig. 8 - Crankshaft Group

Fig. 8 - Crankshaft Group

Key	Tennant® Part No.	Perkins Part Number	Engine Serial Number	Description	Qty.
1		41158008	(000000- )	Kit, Piston Ring	4
2		69497	(000000- )	Piston	4
3		2721124	(000000- )	Circlip	2
4		83417	(000000- )	Conrod	4
5		31134145	(000000- )	Bushing	1
6		33115121	(000000- )	Washer	2
7		0095314	(000000- )	Screw	2
8		32162329	(000000- )	Screw	1
9		33124458	(000000- )	Washer	1
10		31147633	(000000- )	Pulley	1
11		31147741	(000000- )	Pulley	1
12		33176156	(000000- )	Spacer	1
13		33474003	(000000- )	Flange	1
14		0746454	(000000- )	Screw	3
15		31733116	(000000- )	Washer	3
16		0500006	(000000- )	Key	1
17		31171245	(000000- )	Gear	1
18		32726511	(000000- )	Pin	1
19		0920053	(000000- )	Washer	1
20		36151505	(000000- )	Washer	1
21		0826248	(000000- )	Stud	1
22		84417	(000000- )	Shaft	1
23		85037	(000000- )	Bearing	1
23		85037A	(000000- )	Bearing, 0.010" Undersize	1
23		85037B	(000000- )	Bearing, 0.020" Undersize	1
23		85037C	(000000- )	Bearing, 0.030" Undersize	1
24		84992	(000000- )	Bearing	1
24		84992A	(000000- )	Bearing, 0.010" Undersize	1
24		84992B	(000000- )	Bearing, 0.020" Undersize	1
24		84992C	(000000- )	Bearing, 0.030" Undersize	1
25		0921120	(000000- )	Washer	2
25		0921120A	(000000- )	Washer, 0.007" Oversize	1
26		0921118	(000000- )	Washer	1
26		0921118A	(000000- )	Washer, 0.007" Oversize	1

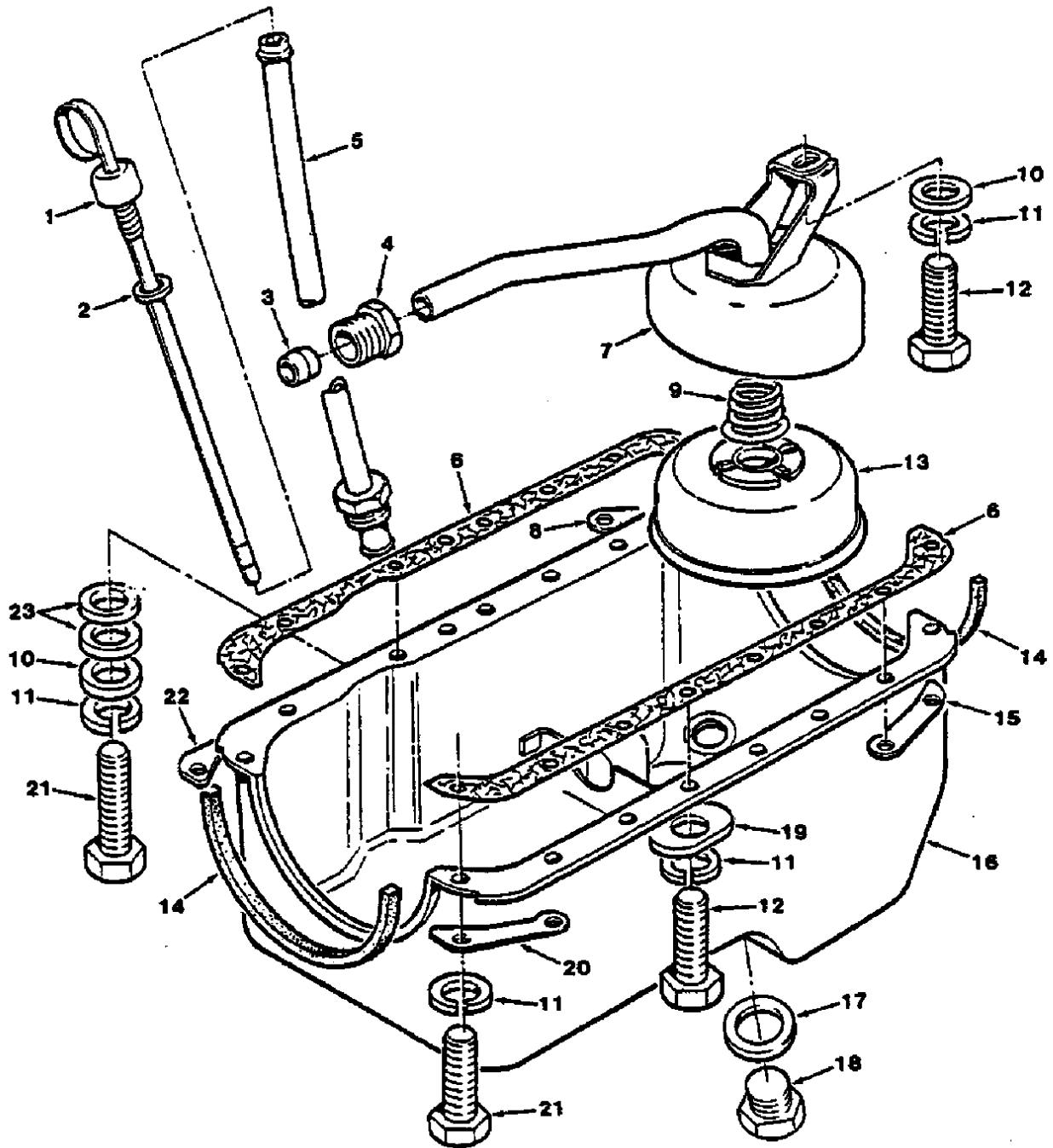


Fig. 9 - Oil Sump Group

Fig. 9 - Oil Sump Group

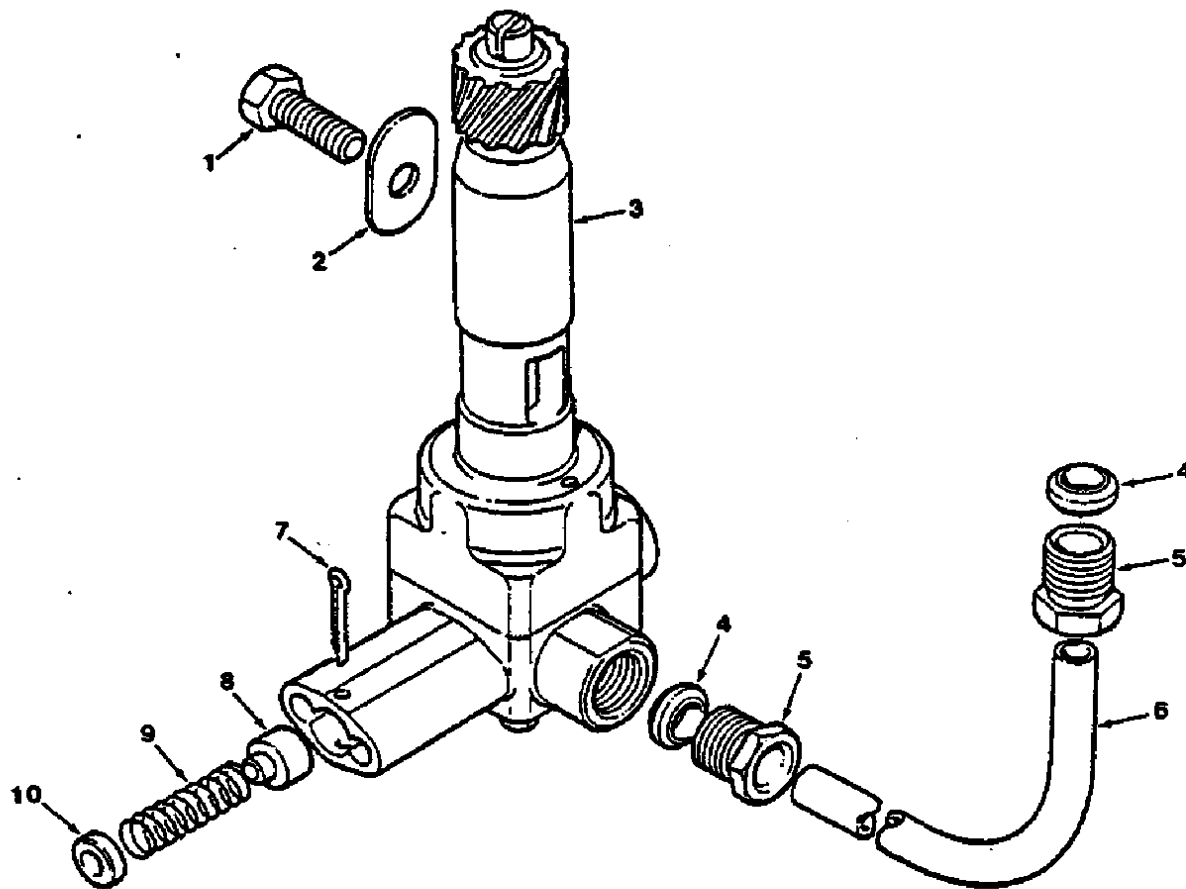
Key	Tennant® Part No.	Perkins Part Number	Engine Serial Number	Description	Qty.
1		31785417	(000000- )	Dipstick	1
2		33111412	(000000- )	Washer	1
3		0560244	(000000- )	Olive	1
4		33532121	(000000- )	Union	1
5		35772607	(000000- )	Tube	1
6		41424207	(000000- )	Joint	1
7		35736145	(000000- )	Pipe	1
8		0941041	(000000- )	Plate	1
9		0780310	(000000- )	Spring	1
10		0920003	(000000- )	Washer	2
11		0920053	(000000- )	Washer	17
12		0746254	(000000- )	Screw	8
13		37725448	(000000- )	Strainer	1
14		0490775	(000000- )	Joint	2
15		0941040	(000000- )	Plate	1
16		37172061	(000000- )	Sump	1
17		2411260	(000000- )	Washer	1
18		2487004	(000000- )	Plug	1
19		36151505	(000000- )	Washer	7
20		0941039	(000000- )	Plate	1
21		0746255	(000000- )	Screw	9
22		0941042	(000000- )	Plate	1
23		0920005	(000000- )	Washer	2

Home

Find...

Go To..





**Fig. 10 - Oil Pump Group**

02936

Key	Tennant® Part No.	Perkins Part Number	Engine Serial Number	Description	Qty.
1		0746201	(000000- )	Screw	1
2		36151507	(000000- )	Washer	1
3		41314089	(000000- )	Pump	1
4		0566007	(000000- )	Olive	2
5		0571352	(000000- )	Nut	2
6		0623293	(000000- )	Pipe	1
7		0610011	(000000- )	Pin	1
8		32712715	(000000- )	Plunger	1
9		31742128	(000000- )	Spring	1
10		33157122	(000000- )	Cap	1

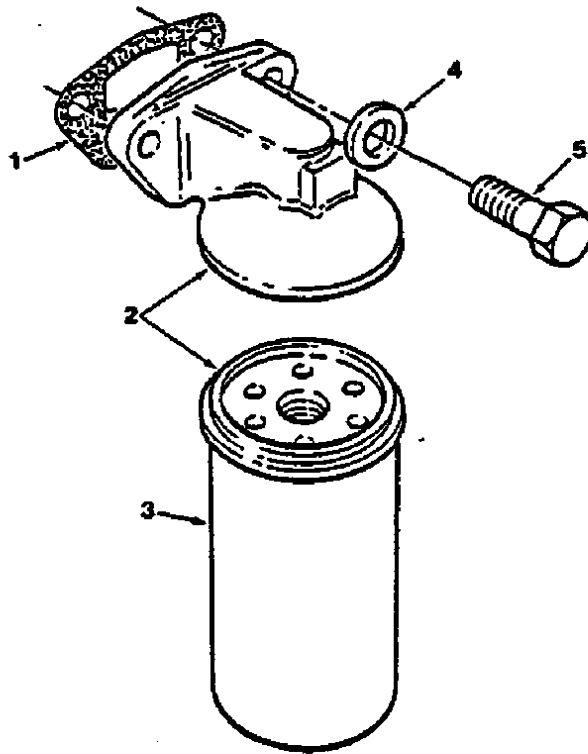
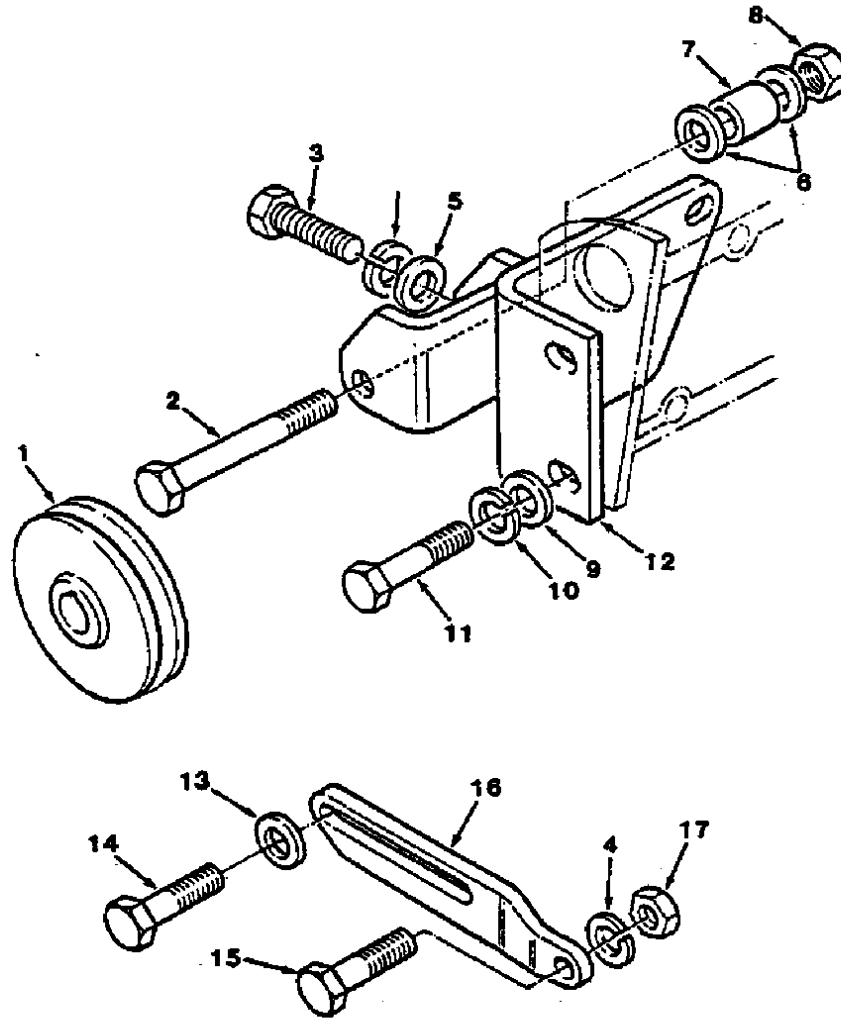


Fig. 11 - Oil Filter Group

02937

Key	TENNANT® Part No.	Perkins Part Number	Engine Serial Number	Description	Qty.
1		36862517	(000000- )	Joint	1
2		37764181	(000000- )	Head	1
3	52770-5	2654403	(000000- )	Filter, Oil	1
4		33115118	(000000- )	Washer	2
5		0746652	(000000- )	Screw	2



**Fig. 12 - Sheave Group**

02938

Key	Tennant® Part No.	Perkins Part Number	Engine Serial Number	Description	Qty.
1		31141645	(000000- )	Pulley	1
2		0096448	(000000- )	Bolt	1
3		0096235	(000000- )	Bolt	1
4		0920053	(000000- )	Washer	2
5		0920003	(000000- )	Washer	1
6		0920004	(000000- )	Washer	2
7		33283514	(000000- )	Bushing	1
8		2211224	(000000- )	Nut	1
9		0920004	(000000- )	Washer	2
10		0920054	(000000- )	Washer	2
11		0746424	(000000- )	Screw	2
12		38163113	(000000- )	Bracket	1
13		33114412	(000000- )	Washer	1
14		23140045	(000000- )	Screw	1
15		0746254	(000000- )	Screw	1
16		36548423	(000000- )	Lever	1
17		0576002	(000000- )	Nut	1



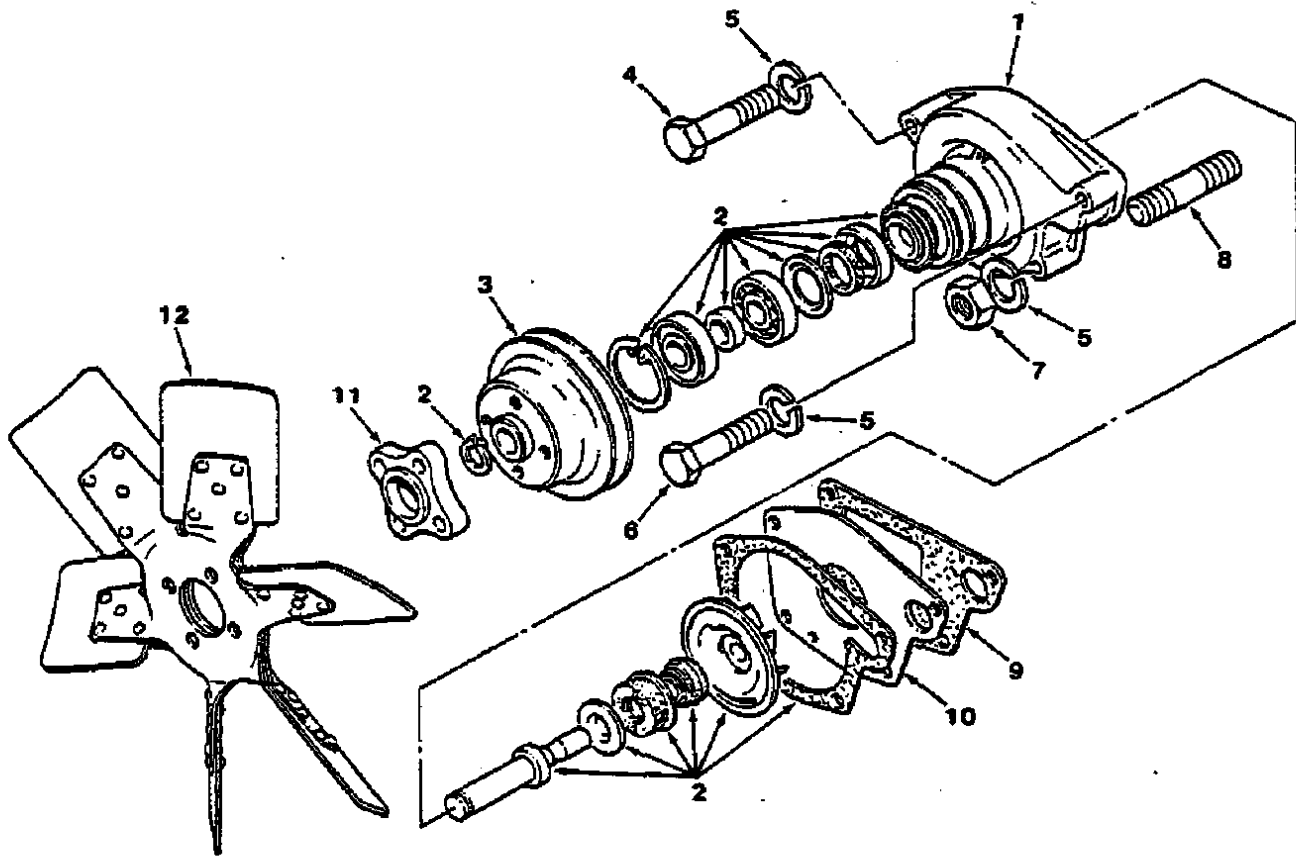


Fig. 13 - Water Pump Group

02939

Key	TENNANT® Part No.	Perkins Part Number	Engine Serial Number	Description	Qty.
1		U5MW0040	(000000- )	Pump, Water	1
2		89029	(000000- )	Kit, Repair	1
3		31145803	(000000- )	Pulley	1
4		0096236	(000000- )	Screw	2
5		0920053	(000000- )	Washer	3
6		0096234	(000000- )	Screw	1
7		0576002	(000000- )	Nut	1
8		0826209	(000000- )	Stud	1
9		36866713	(000000- )	Joint	1
10		36243515	(000000- )	Plate	1
11		37413591	(000000- )	Extension	1
12		31257136	(000000- )	Fan	1

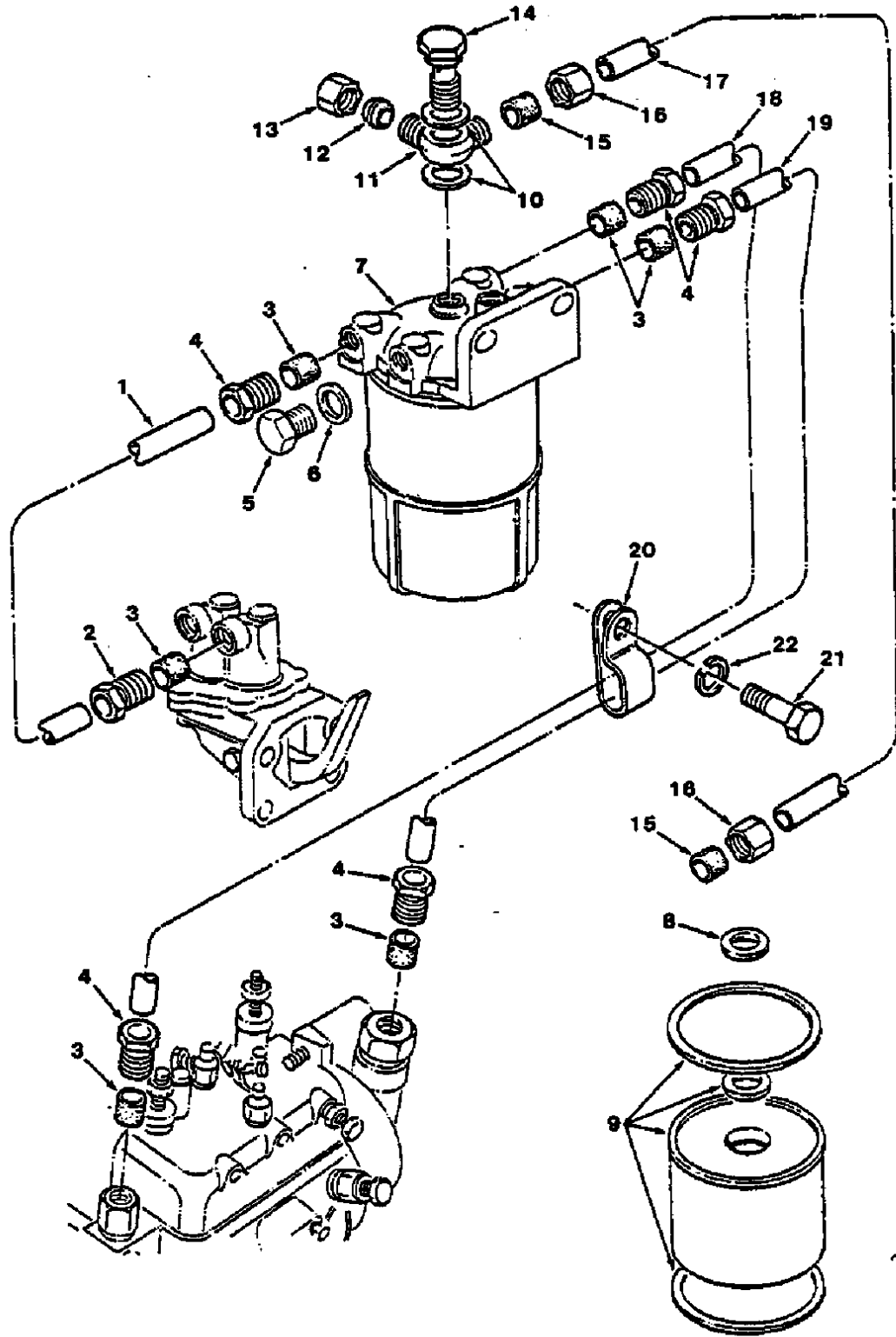


Fig. 14 - Fuel Filter Group

Fig. 14 - Fuel Filter Group

Key	Tennant® Part No.	Perkins Part Number	Engine Serial Number	Description	Qty.
1		35844057	(000000- )	Pipe	1
2		33532128	(000000- )	Nut	1
3		33811113	(000000- )	Olive	6
4		33532128	(000000- )	Nut	5
5		0650204	(000000- )	Plug	1
6		0920112	(000000- )	Washer	1
7		2656617	(000000- )	Filter, Fuel	1
8		26560016	(000000- )	Washer	1
9		26560017	(000000- )	Kit, Element	1
10		0920146	(000000- )	Washer	2
11		0201397	(000000- )	Connection	1
12		33811115	(000000- )	Olive	1
13		33225413	(000000- )	Nut	1
14		0095344	(000000- )	Bolt	1
15		33811112	(000000- )	Olive	2
16		33225412	(000000- )	Nut	2
17		3425p003	(000000- )	Fuel Line	1
18		35847319	(000000- )	Pipe	1
19		35846224	(000000- )	Pipe	1
20		0181029	(000000- )	Clip	1
21		0746451	(000000- )	Screw	1
22		0920054	(000000- )	Washer	1

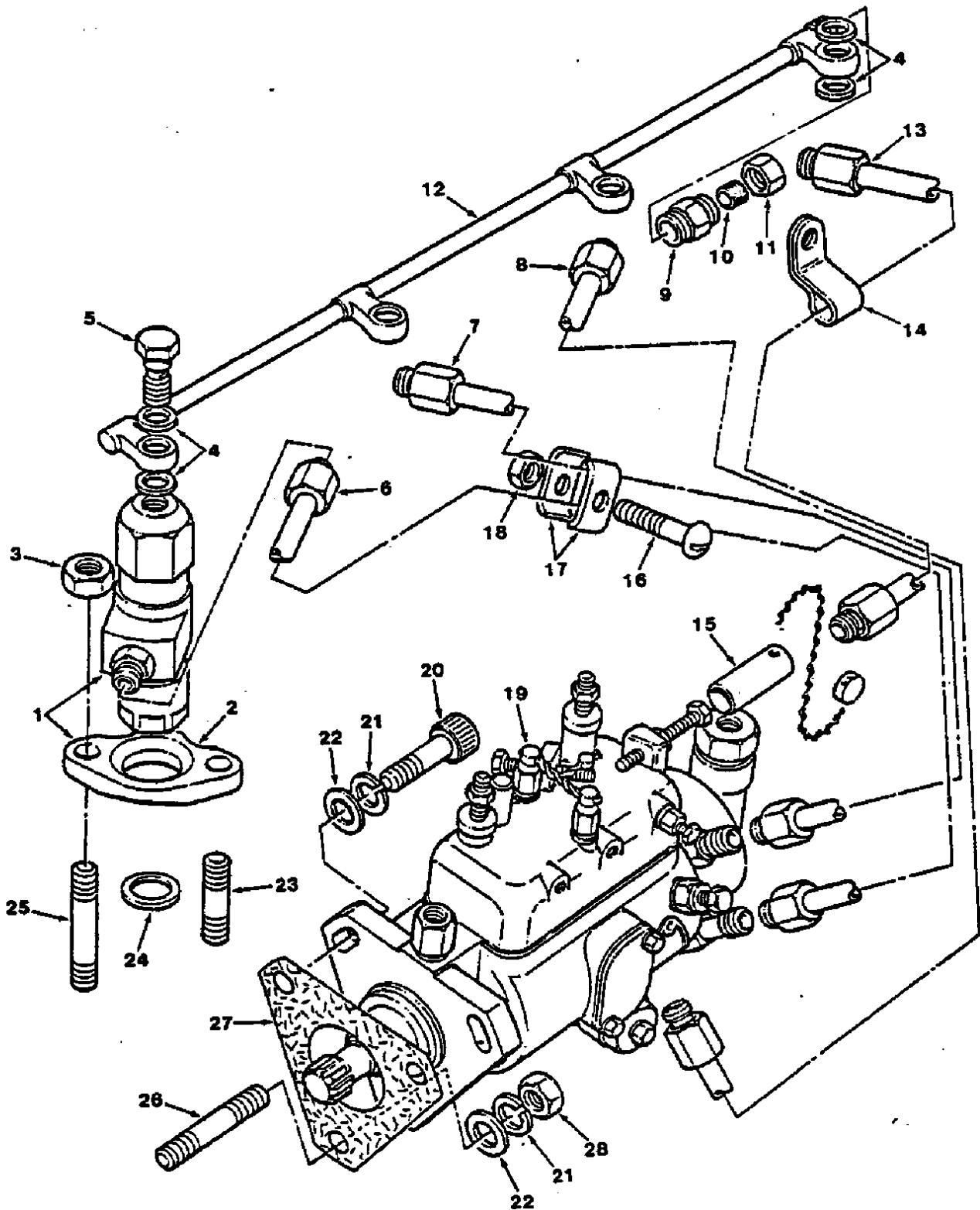


Fig. 15 - Injection Pump Group

Fig. 15 - Injection Pump Group

Key	Tennant® Part No.	Perkins Part Number	Engine Serial Number	Description	Qty.
1		2645698	(000000- )	Atomiser	4
2		36173452	(000000- )	Flange	1
3		0576002	(000000- )	Nut	8
4		0921176	(000000- )	Washer	8
5		0095315	(000000- )	Bolt	4
6		3522H001	(000000- )	Pipe, Injection	1
7		35343078	(000000- )	Pipe, Injection	1
8		3522H002	(000000- )	Pipe, Injection	1
9		0206102	(000000- )	Union	1
10		33811112	(000000- )	Olive	1
11		33225412	(000000- )	Nut	1
12		3558X009	(000000- )	Fuel Line	1
13		35343079	(000000- )	Pipe, Injection	1
14		36644132	(000000- )	Clip	1
15		2644951	(000000- )	Sleeve	1
16		0726264	(000000- )	Screw	2
17		0180637	(000000- )	Clip	4
18		2211401	(000000- )	Nut	2
19		2643C155	(000000- )	Pump, Injection	1
20		2172692	(000000- )	Screw	1
21		0920053	(000000- )	Washer	3
22		0920003	(000000- )	Washer	3
23		0826232	(000000- )	Stud	4
24		0920113	(000000- )	Washer	4
25		0826274	(000000- )	Stud	4
26		0826244	(000000- )	Stud	2
27		0490685	(000000- )	Joint	1
28		0576002	(000000- )	Nut	2
		7167620D	(000000- )	Solenoid, Stop	1

Home

Find...

Go To..



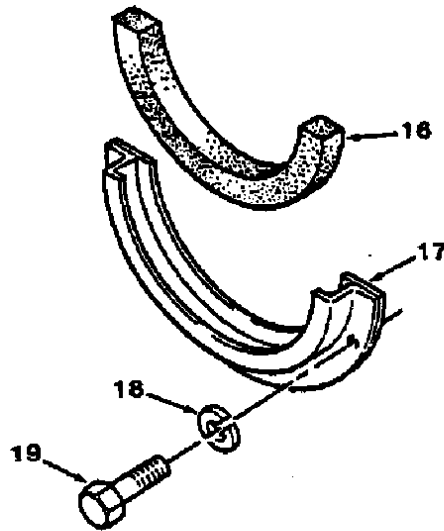
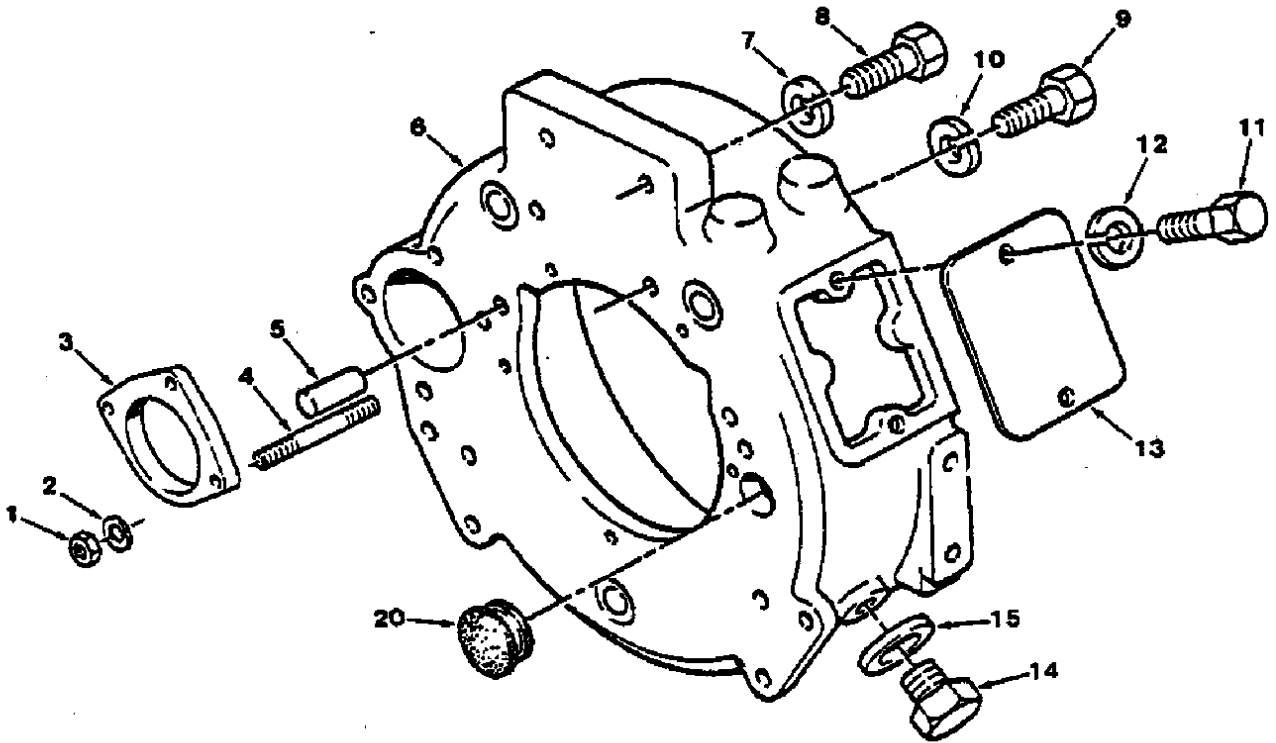
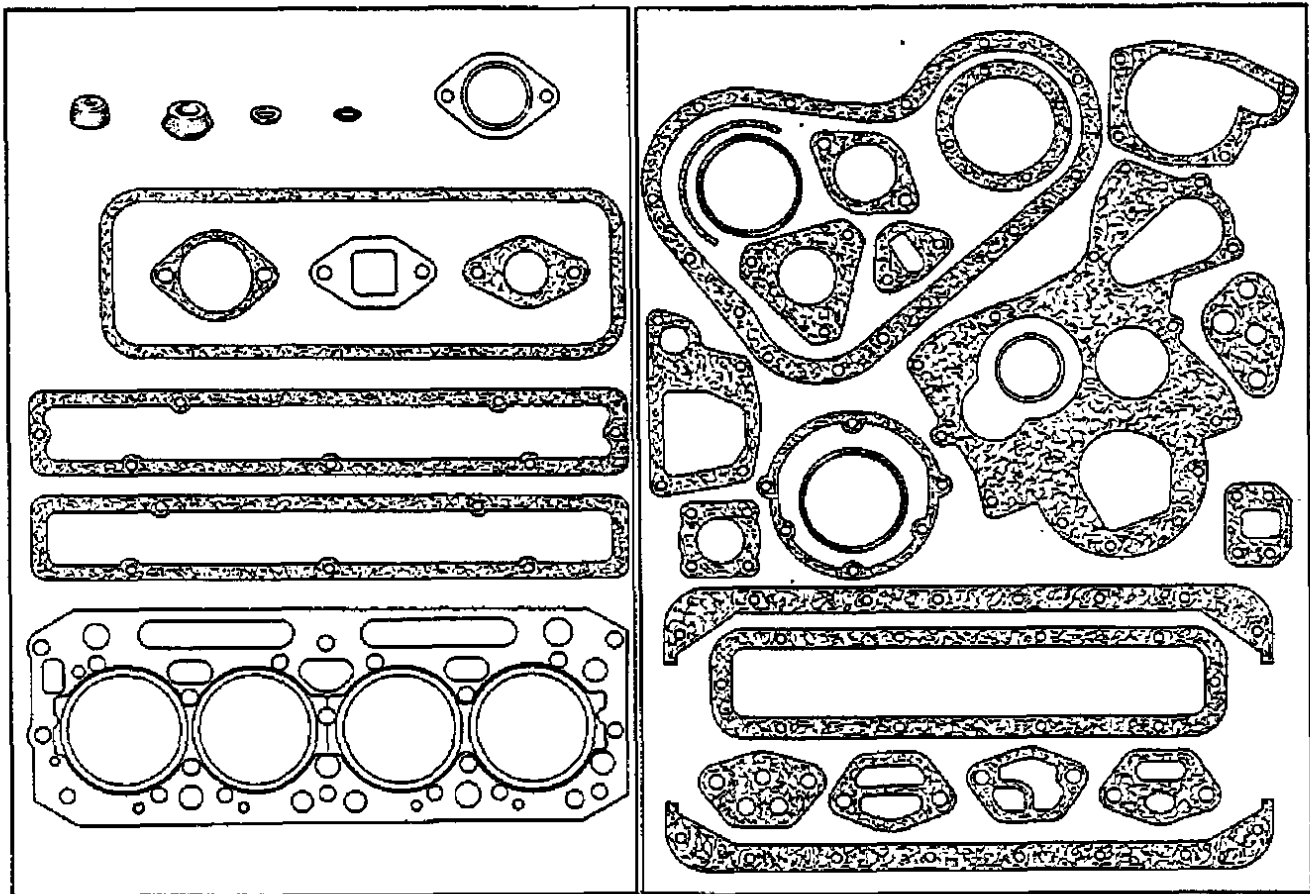


Fig. 16 - Flywheel Housing Group

Fig. 16 - Flywheel Housing Group

Key	Tennant® Part No.	Perkins Part Number	Engine Serial Number	Description	Qty.
1		0576051	(000000- )	Nut	3
2		0920054	(000000- )	Washer	3
3		37513401	(000000- )	Spacer	1
4		0827802	(000000- )	Stud	3
5		0350017	(000000- )	Dowel	2
6		37138021	(000000- )	Housing	1
7		0920054	(000000- )	Washer	2
8		0096433	(000000- )	Bolt	2
9		0746424	(000000- )	Screw	4
10		0920054	(000000- )	Washer	4
11		0746252	(000000- )	Screw	2
12		0920053	(000000- )	Washer	2
13		0941221	(000000- )	Plate	1
14		0650203	(000000- )	Plug	1
15		2411157	(000000- )	Washer	1
16		0730144	(000000- )	Seal	1
17		0994788	(000000- )	Cover	1
18		0920051	(000000- )	Washer	3
19		0726258	(000000- )	Screw	3
20		0650542	(000000- )	Plug	1
		NA000034	(000000- )	Starter	1
		41112762	(000000- )	Flywheel	1
		0410277	(000000- )	Ring Gear	1



**Fig. 17 - Gasket Kits**

02950

Key	TENNANT® Part No.	Perkins Part Number	Engine Serial Number	Description	Qty.
1	38338	92425	(000000- )	Gasket Kit, Top	1
2	38339	92453	(000000- )	Gasket Kit, Bottom	1



---

**SECTION 14**  
**CROSS REFERENCE**

**CONTENTS**

	Page
Part Number to Page Number Cross Reference List .....	14-1



# Part Number to Page Number Cross Reference List

Part Number	Page Number	Part Number	Page Number
AGR-22	12-11	DORY-8550-A	12-10
C20Z-6734-A	12-8	DORY-8553-A	12-10
C8SZ-6A892-A	12-8	DORY-9441-A	12-2
DH157	12-11	DORY-9448-A	12-2
DORY-6A527-A	12-4	DORY-9448-B	12-2
DORY-6A528-A	12-4	D1FZ-6A355-A	12-3
DORY-6A665-A	12-8	D1FZ-6A355-C	12-3
DORY-6B316-A	12-3	D1FZ-6A355-D	12-3
DORY-6K656-A	12-8	D1FZ-6A355-E	12-3
DORY-6K777-A	12-8	D1FZ-6A785-B	12-8
DORY-8K537-A	12-10	D1FZ-6008-A	12-13
DORY-6026-D	12-4	D1FZ-6020-B	12-2
DORY-6055-A	12-2	D1FZ-6065-B	12-2
DORY-6055-B	12-2	D1FZ-6065-C	12-2
DORY-6135-A	12-7	D1FZ-6079-A	12-13
DORY-6135-C	12-7	D1FZ-6211-AA	12-7
DORY-6140-A	12-7	D1FZ-6211-AB	12-7
DORY-6200-A	12-7	D1FZ-6211-AC	12-7
DORY-6214-A	12-7	D1FZ-6211-AD	12-7
DORY-6253-A	12-6	D1FZ-6211-AE	12-7
DORY-6255-A	12-6	D1FZ-6211-AF	12-7
DORY-6256-A	12-6	D1FZ-6211-AG	12-7
DORY-6258-A	12-6	D1FZ-6284-A	12-6
DORY-6261-A	12-6	D1FZ-6285-A	12-6
DORY-6261-B	12-6	D1FZ-6286-A	12-6
DORY-6262-A	12-6	D1FZ-6303-B	12-3
DORY-6262-B	12-6	D1FZ-6310-A	12-3
DORY-6263-A	12-6	D1FZ-6335-C	12-3
DORY-6263-B	12-6	D1FZ-6345-B	12-3
DORY-6268-A	12-6	D1FZ-6384-A	12-3
DORY-6269-A	12-6	D1FZ-6500-A	12-4
DORY-6306-A	12-3	D1FZ-6500-B	12-4
DORY-6344-A	12-3	D1FZ-6513-D	12-4
DORY-6510-A	12-4	D1FZ-6514-B	12-4
DORY-6510-C	12-4	D1FZ-6584-C	12-4
DORY-6510-B	12-4	D1FZ-6608-B	12-8
DORY-6510-D	12-4	D1FZ-6659-A	12-8
DORY-6531-A	12-4	D1FZ-6700-B	12-2, 12-3
DORY-6549-B	12-4	D1FZ-6701-A	12-3
DORY-6563-B	12-4	D1FZ-6766-B	12-4
DORY-6564-D	12-4	D1FZ-6781-B	12-8
DORY-6564-C	12-4	D1FZ-6890-B	12-8
DORY-6565-A	12-4	D1FZ-8512-B	12-10
DORY-6587-A	12-4	D1FZ-8255B	12-10
DORY-6590-A	12-4	D2FZ-6333-C	12-3
DORY-6598-A	12-4	D2RY-8564-A	12-10
DORY-6622-A	12-8	D4PZ-8575-A	12-10
DORY-6652-A	12-8	D4RY-8530-A	12-10
DORY-6670-A	12-8	D6TZ-6730-A	12-8
DORY-6674-A	12-8	D8RZ-6051-B	12-2
DORY-6675-C	12-8	D8RZ-6333-A	12-3
DORY-6754-A	12-8	D8RZ-6333-D	12-3
DORY-8507-A	12-10	D8RZ-6333-T	12-3

Part Number	Page Number
D8RZ-6333-F ...	12-3
D8RZ-6333-AA .	12-3
D8RZ-6333-Y ...	12-3
D8RZ-6333-Z ...	12-3
D9ZZ-9278-A ...	12-2
E2JL-6571-AA ..	12-4
FL-271 .....	12-8
NA000034 .....	13-26
SK1444 .....	6-2
SK2136 .....	5-11
SK2137 .....	5-11
SK2498 .....	10-2
U5MW0040 .....	13-21
WR3817B .....	12-11
73HF-6A666-AB .	12-8
77BF-12107-AA .	12-11
105E-6207-B ...	12-7
701M6582-GA ..	12-4
711M-6010-BA ..	12-2
711F-6250-DA ..	12-6
711F-9430-AC ..	12-2
721F-12283-BA .	12-11
721F-12284-AA .	12-11
721F-12286-BA .	12-11
721F-12287-AA .	12-11
731M-6059-BA ..	12-2
731M-6375-BA ..	12-3
731M-6505-AA .	12-4
731M-6505-CA .	12-4
731M-6600-AA .	12-8
751M-6102-ARB	12-7
751M-6102-AUB	12-7
751M-6149-AA .	12-7
751M-6149-DA .	12-7
751F-6K809-AB .	12-8
761F-6011-CA ..	12-2
761F-6049-AA ..	12-2
761F-9425-AA ..	12-2
801M-6507-GA .	12-4
801M-6507-HA .	12-4
831F-12300-AA .	12-11
0050132 .....	13-6
0050358 .....	13-2
00926 .....	5-16
0095314 .....	13-14
0095315 .....	13-24
0095344 .....	13-22
00954 .....	5-32
0096231 .....	13-12
0096233 .....	13-12
0096234 .....	13-21
0096235 .....	13-20
0096236 .....	13-21
0096237 .....	13-12
0096238 .....	13-2
0096433 .....	13-4

Part Number	Page Number
0096433 .....	13-26
0096448 .....	13-20
00966 .....	5-32
0102202 .....	13-6
01433-1 .....	5-2
0150129 .....	13-4
01666 .....	11-5
01670 .....	11-5
01671 .....	11-5
01685 .....	5-44
01686 .....	5-44
01692 .....	5-44
0170033 .....	13-6
0170048 .....	13-10
0170052 .....	13-2
0180070 .....	13-12
0180637 .....	13-24
0181029 .....	13-22
01818 .....	11-5
01866 .....	5-32
0200666 .....	13-4
0201297 .....	13-2
0201318 .....	13-6
0201397 .....	13-22
0201455 .....	13-12
0206102 .....	13-24
02266 .....	5-46
0230001 .....	13-4
02430 .....	10-3
02485 .....	5-19, 5-22, 5-42
02506-6 .....	9-7
02549 .....	7-12
02564 .....	5-46
02586 .....	8-2
02634 .....	5-15, 11-2
02643 .....	11-7
02644 .....	11-7
02646 .....	11-7
02647 .....	11-7
02864 .....	5-3
02887 .....	5-16
03026 .....	7-8
03469 .....	7-8
03470 .....	7-2
03471 .....	7-2
03472 .....	7-2
03473 .....	7-6
03474 .....	7-14
03475 .....	5-22
03477 .....	7-2
03479 .....	7-2
03491 .....	5-20, 7-2
03494 .....	5-42, 5-43
03495 .....	5-42, 5-43
03498 .....	7-6
03499 .....	7-6

Part Number	Page Number
03500	7-2
0350014	13-2
0350017	13-26
03501	7-2
03503	7-5
03504	7-5
03505	5-20, 7-2, 7-5
03506	7-2
03508	7-15
03509	7-14
03514	7-6
03515	11-9
03517	5-14, 11-7
03518	11-7
03519	11-7
03521	7-9
03532	5-32
03533	5-16
03535	5-32
03536	5-22
03551	5-16
03552	5-16
03553	5-9
03554	5-25
03556	5-9, 7-9
03568	5-20
03574	5-18
03579	5-16
03585	5-16
03586	5-16
03588	5-16
03590	5-16
03593	8-4
03594	8-4
03600	5-48, 8-4
03601	5-48, 8-4
03602	5-35
03605	5-48, 8-4
03623	7-11
03670	5-18
03682	5-32
03708	5-48
03711	10-2
03712	5-42
03739	5-19
03746	5-19
03783	5-32
0380068	13-13
03825	5-46
038829	5-46
03838	8-2, 10-2
03839	5-32
03922	5-32
04081	5-9, 7-9
0410277	13-26
04601	5-22

Part Number	Page Number
04733	5-12, 5-13
0490184	13-4
0490228	13-13
0490656	13-13
0490656	13-13
0490685	13-24
0490724	13-8
0490740	13-2
0490775	13-16
0500006	13-14
0560244	13-16
0566002	13-6
0566007	13-18
0571351	13-6
0571352	13-18
0576001	13-10
0576002	13-8
0576002	13-10
0576002	13-20
0576002	13-21
0576002	13-24
0576002	13-24
0576051	13-4
0576051	13-26
0576064	13-13
0576102	13-8
0576151	13-6
0576302	13-6
0610011	13-18
06225	5-22
0623293	13-18
06279	5-36
06418	5-36
0650203	13-26
0650204	13-22
0650507	13-6
0650542	13-26
0650563	13-2
0650563	13-4
0650576	13-4
0650594	13-2
0650664	13-2
0650664	13-4
0650710	13-2
0650722	13-12
0650777	13-2
06743	7-2
06747	5-25
06750	5-14
06777	5-48, 7-15
06838	5-20
06841	5-20
06842	5-20
06997	12-11
0700279	13-10
0720790	13-6

Part Number	Page Number
07026	5-35, 5-46
0726258	13-26
0726264	13-24
0730116	13-8
0730144	13-26
07037	5-35
07259	5-36
0746052	13-10
0746201	13-18
0746252	13-26
0746254	13-2
0746254	13-8
0746254	13-16
0746254	13-20
0746255	13-10
0746255	13-16
0746259	13-2
0746355	13-10
0746424	13-20
0746424	13-26
0746451	13-22
0746454	13-14
0746461	13-10
0746652	13-19
07483	5-46
0770101	13-2
07797	5-14, 7-2
0780144	13-4
0780240	13-8
0780261	13-6
0780310	13-16
0825219	13-6
0826201	13-10
0826209	13-21
0826232	13-24
0826242	13-13
0826242	13-13
0826244	13-24
0826248	13-14
0826249	13-8
0826250	13-6
0826260	13-13
0826274	13-24
0826478	13-4
0827802	13-26
08823	7-5
08876	5-22, 7-5
0910060	13-4
0910061	13-4
0920003	13-6
0920003	13-10
0920003	13-13
0920003	13-13
0920003	13-16
0920003	13-20
0920003	13-24

Part Number	Page Number
0920004	13-20
0920004	13-20
0920005	13-16
0920051	13-26
0920052	13-10
0920053	13-2
0920053	13-8
0920053	13-10
0920053	13-12
0920053	13-12
0920053	13-12
0920053	13-14
0920053	13-16
0920053	13-20
0920053	13-21
0920053	13-24
0920053	13-26
0920054	13-4
0920054	13-20
0920054	13-22
0920054	13-26
0920054	13-26
0920054	13-26
0920054	13-26
0920112	13-22
0920113	13-24
0920146	13-22
0920155	13-4
0920485	13-6
0921116	13-8
0921117	13-4
0921118	13-14
0921118A	13-14
0921120	13-14
0921120A	13-14
0921122	13-6
0921159	13-10
0921176	13-24
0921249	13-4
0940357	13-13
0940990	13-4
0941039	13-16
0941040	13-16
0941041	13-16
0941042	13-16
0941044	13-10
0941221	13-26
09497	5-25
09498	5-25
09500	5-25
09501	5-25
09502	5-25
09523	5-25
09526	5-25
09559	5-25
09560	5-25
09563	5-20

Part Number	Page Number	Part Number	Page Number
09570	5-40	16337	7-2
09571	5-12, 5-13	16338	7-2
09573	5-12, 5-13	16341	5-24
09576	5-12, 5-13	16344	9-3
09584	5-12, 5-13	16346	5-4
09588	5-12, 5-13	16375	5-48
09589	5-12, 5-13	16376	7-2
09624	5-36, 5-44	16384	5-38
09787	5-9, 5-12, 5-13, 7-9	16385	5-38
09832	5-24	16387	5-22
09900-1	5-40	16400	5-32
0994788	13-26	16455	5-28
10120	9-12	16485	8-2, 10-3
10137	5-10	16738	5-20
10143	7-10	16805	5-18
10165	5-45	17409	5-20
10222	5-46	17413	5-22, 7-5
10464	5-32, 5-35	17414	5-16, 7-2
10632-9	9-5	17980	5-28
10632-14	5-4	18593	8-2
10632-18	5-12, 5-13	18595	8-2
10632-19	6-2	19580	5-9, 7-9
113765-ES2	12-2	20050	5-40
11399	5-15, 5-39, 8-2, 8-2	20625	8-2
11442-1	6-2	2116053	13-10
11531	5-19, 5-48, 7-6, 8-4, 9-9	2172692	13-24
116682-ES	12-8	2188134	13-13
11716	5-32	2188134	13-13
11842	5-36	2211224	13-20
11848	5-22, 7-2	2211401	13-24
11893	5-7	22290	5-46
11984	5-16, 5-20, 5-22, 7-2, 7-5	22297	5-20
12057	8-2	22473	9-9
12068	8-2	23140045	13-20
12770	8-2	23301	6-2
13015-2	5-10	23315-2	5-30
13016	5-10	23498	5-32
14131	7-5, 9-7	23524-4	5-22
14138A	5-20	23563	5-46
14432	5-20, 6-2, 7-8	23683	5-9
14446	5-12, 5-13	23786	5-12, 5-13, 5-28
14506	5-44	23999-6	5-46
14601	5-20, 5-36, 5-46	23999-8	7-2
15280-1	5-16	24012	5-24
15462	5-19	24047	6-2
15555	7-5	2411157	13-26
15555-1	5-20	2411260	13-16
15687	7-2	2415338	13-10
16081	5-19, 5-25	2431A054	13-4
16255	5-6, 7-13	2431154	13-4
16269	7-6	2481863	13-8
16273	7-2	2485666	13-4
16274	7-2	24870001	13-8
16275	7-2	2487004	13-16
16276	7-2	2487841	13-8
16314	5-24	24924	5-20

Part Number	Page Number
24925	7-14
24928	9-11
24928-1	9-11
24929	5-16
2511447	13-10
25312	9-9
25460	5-48, 9-8
26015	5-4, 5-42, 5-48, 8-4
26367	5-36, 5-44
26395-1	5-18, 5-34, 6-2
26410096	13-8
2641702	13-8
26426	7-2
2643C155	13-24
2644951	13-24
2645698	13-24
26496	6-2
26509	6-2
2652845	13-8
2654403	13-19
26560016	13-22
26560017	13-22
26565	5-28, 5-46
2656617	13-22
2666408	13-4
27048	5-19, 6-2
2721124	13-14
2724E-6518-A	12-4
2724436	13-10
28165	5-4, 5-35, 5-48, 8-4
28281	5-12, 5-13
28296	5-46
28298	8-2
2848062	13-2
29124	5-9, 5-28
29570	5-28
30013	5-44
31134137	13-10
31134145	13-14
31141645	13-20
31145803	13-21
31147633	13-14
31147741	13-14
31171245	13-14
31171541	13-10
31171542	13-10
31249	5-9, 7-9
31257137	13-21
31358117	13-2
31415303	13-10
31434152	13-6
31434306	13-6
31556	5-14, 11-10
31599	5-25
31601	5-26
31638	11-10

Part Number	Page Number
31639	11-10
31646	7-12
31647	5-36, 7-12
31733116	13-14
31742128	13-18
31785417	13-16
32161114	13-2
32162329	13-14
32166216	13-2
32397-1	5-2
32399	7-10
32435	7-2
32436	7-2
32495	5-9
32524148	13-4
32529	7-2
32587	7-2
32588	7-2
32590	7-2
32598	5-32
32599	5-32
32666	6-2
32712715	13-18
32726511	13-14
32813106	13-2
32815	6-2, 7-10
32839	5-24
32840	5-24
32841	5-24
32987	5-30
33111412	13-16
33114412	13-20
33115118	13-19
33115121	13-14
33115411	13-4
33123411	13-4
33124424	13-4
33124458	13-14
3313E001	13-4
33157122	13-18
33176156	13-14
33221115	13-8
33221317	13-4
33225412	13-22
33225412	13-24
33225413	13-22
33261723	13-4
33283514	13-20
33287314	13-4
33308	10-2
33426516	13-10
33472494	13-10
33473107	13-2
33474003	13-14
33523	5-32
33531117	13-4

Home	Find...	Go To..		
------	---------	---------	---	---



Part Number	Page Number	Part Number	Page Number
33532121	13-16	36256717	13-2
33532128	13-22	36548423	13-20
33532128	13-22	36644132	13-24
33555	6-2	36812134	13-2
33692	5-16	36813145	13-10
33778	5-16	36826114	13-2
33799	5-26	36846412	13-8
33811112	13-22	36846415	13-12
33811112	13-24	36851113	13-8
33811113	13-22	36862517	13-19
33811115	13-22	36866713	13-21
33817403	13-4	36883107	13-2
33837	11-6	37083-1	5-22
33864	12-10	37138021	13-26
33872312	13-8	37161104	13-10
34165129	13-4	37172061	13-16
34165132	13-4	37188137	13-8
34174	11-8	37303	12-8
34175	11-8	37306	12-6
34176	11-8	37307	12-6
34177	11-8	37308	12-4
34179	11-6	37309	12-4
3425P003	13-22	37312	12-3
34329	7-12	37315	12-6
34330	5-40	37316	12-6
34353	5-26	37317	12-6
34375	5-25, 7-11	37321	12-3
34395	7-2	37325	12-10
34414122	13-6	37326	12-8
34423	5-40, 11-8	37327	12-10
34808	5-16, 7-2	37328	12-11
34810	5-34	37330	12-3
34811	5-34	37332	12-13
34813	7-15, 9-7	37333	12-2
3522H001	13-24	37334	12-13
3522H002	13-24	37335	12-7
35343078	13-24	37337	12-6
35343079	13-24	37338	12-6
3558X009	13-24	37340	12-4
35731143	13-8	37341	12-8
35736145	13-16	37342	12-2, 12-3
35772607	13-16	37343	12-3
35844057	13-22	37344	12-8
35846224	13-22	37351	12-2
35847319	13-22	37354	12-8
36151505	13-8	37358	12-4
36151505	13-10	37368	12-4
36151505	13-14	37403	12-8
36151505	13-16	37413591	13-21
36151506	13-10	37443591	13-4
36151507	13-18	37457	11-2
36173452	13-24	37513401	13-26
36178509	13-10	37554591	13-8
36192	5-22	37689	12-3
36241316	13-8	37693	12-4
36243515	13-21	37694	12-6

Part Number	Page Number	Part Number	Page Number
37719	12-3	42331-1	5-32
37725448	13-16	42809	5-32
37764181	13-19	43460	5-4, 5-48, 8-4
37766	11-8	43516A	5-48
37783543	13-13	43555	5-35
37786175	13-12	43611	5-8, 5-46
37844	12-8	43672	9-3
38163113	13-20	43844	5-20, 5-22, 7-6, 8-2
38242	12-6	44078	7-15
38243	12-7	44681	9-5
38245	5-2, 12-8	44681-1	9-5
38246	12-2	44681-2	9-5
38250	12-4	44861	7-2
38315	11-6, 11-7	44868	5-40
38338	13-28	44869	5-25, 5-28, 7-2, 7-11
38339	13-28	44906	5-46
38490	11-6, 11-7	44961	5-13, 5-14, 5-19, 5-28, 5-35, 5-40, 8-2
38747	13-8	45214	5-44
39210	5-25, 5-40	45487-6	5-48
39278	5-18	45770-8	5-2, 12-11
39330	5-16	45779	9-2, 9-3, 9-4, 9-5
39362	5-44	45780	9-2, 9-3
39900	5-30	45850	7-5
40145	5-46, 8-2	45851	7-11
40362	5-25, 7-11	45975	7-15
40390	5-32	46070-2	7-13
40496	5-32	46236	5-10, 5-11, 5-12, 5-13, 5-20, 5-46, 7-2, 7-5, 9-2
40514	5-14	46311	5-30
40585	5-20, 5-22, 7-5	46312	5-30
40678	7-16	46313	5-30
40678-1	5-4	46390	5-35
40755	5-28	46481	5-15, 7-11
40823	5-20	46611	6-2
41007	5-48	47008	5-30
41112762	13-26	47009	5-30
41115036	13-10	47010	5-30
41127	5-8	47010-1	5-30
41130	5-32	47010-2	5-30
41151472	13-6	47010-3	5-30
41158008	13-14	47010-4	5-30
41186	7-14	47010-5	5-30
41314089	13-18	47010-6	5-30
41424207	13-16	47010-7	5-30
41425781	13-10	47011	5-30
41665	5-4	47178-13	5-35
41830	6-2	47192	6-2
41845	5-22	47473	7-5, 9-7
42120-4	5-36, 5-36	47512	7-9
42133A	8-2, 8-4	47649	11-8
42153A	9-8	47745	5-44
42173-1	5-32	47753	5-40
42196	5-20	47801	5-32
42216	7-11	47826-1	5-20
42227	5-14, 5-19, 7-6	47933	5-16
42239	5-13		
42260	7-6, 7-11		

Part Number	Page Number	Part Number	Page Number
48126	5-11	54230	5-22
48144	7-5	54274	5-24
48252	7-15, 9-7	54333	5-20, 5-22, 5-48, 7-2, 7-5
48267	7-5, 9-7	54499	7-2
48655	7-6	54500	7-2
49263	5-14, 5-40, 6-2, 7-12	54527	5-28
49266	5-34, 5-36, 7-12, 7-15, 9-2, 9-3, 9-4, 9-5, 9-7	54528	5-28
49287	5-22, 5-34, 7-10	54742	7-2
49681	5-16	54911-5	5-16
50304	9-12	54911-7	5-16
50308	5-20	54911-9	5-18
50332-1	5-20	54912-8	5-20
50332-2	6-2	54911-11	5-16
50352	12-4	54911-15	5-16
50494	5-9	54911-16	5-16
50960	5-40	54911-20	12-2
51109	5-11	54911-21	12-2
51176	7-2	54911-22	12-2
51305	7-6	54911-23	12-2
51321-3	5-19	54911-24	5-2, 12-4
51322	5-25	54911-25	12-10
51368	5-19	54911-27	12-8
51406	10-2	54911-28	5-16
51416	10-2	54911-30	5-16
51529	5-12, 5-13	54911-31	5-16
51530	5-12	54911-32	5-16
51531	5-9, 7-9	54914	5-18
51545	5-12	54930	6-2
51560-5	7-8	54959	5-18
51562	5-12	55248	5-34, 7-15, 9-2, 9-4, 9-5, 9-7
51564	5-16, 7-2	55258	5-34
51780	7-2	55271	5-34, 7-15, 9-7
51787	5-4, 5-48, 9-3	55286	13-6
51795	8-2	55557	5-34
51805	5-16, 7-2	55586	5-14, 5-36, 5-40, 5-44, 7-11
51839	12-10, 6-2	55619	5-25, 7-11
52238	5-42, 5-43	55668	5-26
52402	5-15	55685	5-15, 5-28
52450	5-20	55692	5-26
52770-2	7-2	55740	5-2, 5-25, 7-11
52770-3	7-2	55905	11-2
52770-4	7-2	55906	11-2
52770-5	5-2, 7-2, 13-19	55918	11-2
52770-8	7-2	55920	11-2
52770-9	5-2	55922	11-2
52929	7-11	55929	11-2
53077	5-15, 5-25	55930	11-2
53078	5-11	55931	11-2
53079	5-12	55932	11-2
53268	6-2	55933	11-2
53386	5-16	55937	11-2
53400-1	6-2	55939	11-2
53400-4	6-2	55941	11-2
53531-2	5-16	55998	6-2
54141-1	5-20	56094	5-46
		56119	5-46

Part Number	Page Number	Part Number	Page Number
56232	5-35	57109	5-16
56245	5-35	57110	5-15
56266	5-30	57113	5-16
56267	5-30	57115	8-2
56363	5-3	57116	5-19
56395	5-35	57122	5-12, 5-13
56465	5-24	57123	5-13
56505	5-48, 8-4, 9-9	57125	5-28
56515	7-2	57126	5-28
56678	5-35	57127	5-28
56692	5-14, 7-9	57128	5-19, 7-6, 7-8
56719	5-30	57129	5-34
56779	5-22	57130	5-34
56815	5-38	57131	5-34
56821	5-15	57134	5-34
56851-1	5-30	57136	5-34
56851-2	5-30	57137	5-34
56851-3	5-30	57138	9-2
56852	5-30	57139	5-50
56855	5-9, 7-9	57140	6-2
56861	5-35	57141	9-4, 9-5
56876	5-3	57142	7-5, 9-7
56879	5-3	57143	5-50
56992	5-34, 5-34	57144	9-2, 9-3
57031	5-40, 11-9	57146	5-48
57033	5-14, 11-6	57147	5-34
57034	5-28, 11-5	57148	5-34
57035	5-15, 11-4	57149	5-22
57039	5-18	57153	5-26
57047	5-9, 5-16	57160	5-26
57048	5-16	57162	6-2
57051	11-2	57163	8-6
57053	5-11	57164	5-34
57057	5-11	57166	5-30
57060	5-4	57167	5-34, 8-6
57061	5-20	57168	5-30
57063	11-4	57169	5-26
57069	5-4	57172	5-26
57070	5-35	57173	5-26
57071	5-6	57174	5-26
57072	5-4	57178	5-35
57073	5-38	57181	5-16
57074	5-9	57182	6-2
57077	5-4	57184	5-12
57086	5-6	57186	11-9
57089	5-46	57189	5-32
57090	5-24	57190	5-26
57092	5-30	57191	5-26
57094	5-19	57192	5-26
57096	5-12, 5-13	57195	5-26
57097	5-12, 5-13	57196	5-26
57100	5-22	57197	5-26
57103	5-22	57199	5-26
57106	5-16	57210	11-2
57107	5-16	57212	5-40
57108	5-16	57213	9-2

Part Number	Page Number	Part Number	Page Number
57214	9-2	57345	5-10
57218	9-4, 9-5	57346	6-2
57219	5-26	57347	5-32
57220	9-4, 9-5	57348	6-2
57223	5-14, 5-40	57350	5-52
57224	5-28, 5-40	57352	5-52
57226	5-46	57353	6-2
57230	5-20	57354	5-4
57231	5-12, 5-13	57357	5-4
57232	5-13	57359	5-32
57233	5-12	57363	5-32
57238	5-4	57364	5-19
57239	5-4	57365	7-2
57240	8-2	57366	11-9
57241	5-4	57367	11-6
57242	9-6	57368	11-6
57246	5-40	57369	11-6
57248	8-2	57370	11-6, 11-7
57250	5-40	57371	11-6
57253	5-35	57372	11-6
57254	5-16	57373	11-6, 11-7
57255	5-16	57374	11-6, 11-7
57258	5-20	57375	11-6, 11-7
57259	5-38	57376	11-4
57260	5-38	57377	8-2
57262	5-4	57378	8-2
57265	5-32	57379	8-2
57268	5-32	57381	7-2
57269	5-32	57383	7-13
57270	5-9	57384	7-11
57271	5-28	57385	5-19
57286	5-18	57386	7-15
57291	5-32	57387	7-9
57292	5-26	57390	7-2
57300	8-4	57391	7-2
57301	5-48	57392	5-20
57307	9-6	57394	5-20
57309	5-9	57396	5-32
57311	5-11	57397	5-18
57312	5-6	57399	5-7
57313	5-6	57400	5-32
57314	5-30	57401	5-32
57315	5-40	57402	5-32
57317	8-2	57403	5-19
57319	5-7	57404	5-22
57321	5-7	57405	5-46
57325	5-48	57407	5-46
57326	6-2	57409	7-2
57327	6-2	57410	5-26
57330	9-8	57411	5-14, 7-11
57331	9-2	57414	9-4
57333	9-5	57416	5-32
57336	9-7	57420	5-19
57338	9-12	57421	5-48
57341	9-4, 9-5	57422	9-12
57343	5-19	57425	5-2

Part Number	Page Number	Part Number	Page Number
57426	5-2	57988	5-14, 5-40
57427	5-2	57994	5-14
57428	5-2	58049	12-2
57429	9-12	58087	5-16
57430	5-22	58114	5-32
57438	5-18	58120	5-2, 5-20
57441	5-24	58122	5-2, 12-8
57442	8-2	58279	5-12, 5-13
57449	5-2, 5-22	58329	5-12, 5-13
57450	5-16	58330	5-12, 5-13
57452	6-2	58346	5-20
57454	5-34	58395	5-15
57455	5-19	58489	5-4, 5-6
57456	5-19	58494	5-6
57458	5-22	58506	5-2, 12-11
57459	5-22	58507	5-2, 12-11
57460	5-38	58509	5-2, 12-11
57461	5-22	58518	9-4
57462	7-14	58519	9-4
57464	7-11	58520	9-4
57465	7-7	58524	9-2
57466	7-10	58536	5-18
57469	7-10	58591	5-34
57472	7-10	58592	5-16, 7-2
57473	5-26	58844	5-4
57474	7-8	58846	5-20
57475	7-6	58850	5-18
57476	5-26	58898	5-4
57477	7-2	58916	5-22, 6-2
57479	7-9	58925	11-2
57481	7-15	59118-4	5-19
57482	5-48, 8-4	59118-7	5-19
57483	7-12	59390	5-39
57484	7-12	59393	5-39
57485	5-26, 7-12	59600	5-42
57486	7-12	59601	5-43
57487	7-12	59610A	5-2, 5-42, 5-43
57489	7-12	59612A	5-42
57490	7-6	59613A	5-43
57492	7-16	59617	5-2, 5-42, 5-43
57493	9-3	59618	5-42, 5-43
57510	5-6, 7-13	59624	5-42
57546	5-18	59625	5-43
57547	5-18	59626-1	5-42, 5-43
57549	5-16	59630-1	5-42, 5-43
57581	5-26	59632	5-12, 5-13, 5-42, 5-43
57751	5-34, 8-6, 9-2, 9-3, 9-4, 9-5	59633	5-9, 5-42, 5-43, 5-44
57773	5-16, 7-9	59634	5-42, 5-43
57791	5-12	59639A	5-42, 5-43
57803	8-6, 9-2, 9-3, 9-4, 9-5	59650	5-42, 5-43
57804	5-34	59663A	5-42, 5-43
57818	5-22	59673-1	5-42, 5-43
57871	6-2	59700	5-42
57875	5-9, 7-9	59701	5-43
57978	5-40	59775	5-2, 5-44
57979	5-40	59800	5-44

Part Number	Page Number
59826	5-44
60004	5-2, 5-42, 5-43
60005	5-2, 5-44
60006	5-2, 5-44
62049-4	7-2
62111	13-2
62170-3	5-19
62530-1	5-34
62595-2	5-7
62595-4	7-2
62595-11	5-7
62595-18	7-2, 7-5
62865	6-2
63174	9-10
63266	9-2, 9-3, 9-4, 9-5
63285	8-6
63378	5-38
63430	9-12
63448	9-12
63451	9-12
63510	7-2
63511	5-48
63810	5-46, 8-2
63921	10-3
63922	10-3
63923	10-3
63924	10-3
64003	8-4
64010	8-4
64014	8-4
64015	8-4
64016	8-4
64022	5-36
64028	5-9
64050	6-2
64060-1	5-8
64070	9-3
64073	5-39
64080	9-3
64105	9-2, 9-3
64105-1	9-2, 9-3
64107	7-7
64123-2	5-44
64125	5-40
64127	5-44
64141	5-34
64147-1	5-38
64151	5-40
64152	5-44
64153	5-44
64154	5-44
64173	5-9, 5-44
64182	7-13
64183	7-13
64185	5-6, 7-13
64186	7-13

Part Number	Page Number
64192	5-9, 5-44
64219	5-44
64247	5-7
64274-1	5-7
64297	5-30
64317	5-35
64320	5-35
64338	5-8
64339	5-8
64341	5-8
64342	5-8
64348	5-44
64357	5-44
64358	5-30
64359	5-30
64361-1	5-44
64370	5-9
64376-1	5-36
64377	5-4, 5-35, 5-36
64379	5-36
64382	5-44
64389-1	5-36
64393-2	5-36
64416-1	5-4
64422-1	5-44
64424	5-44
64425	5-44
64428	5-36
64432	5-36
64451-1	5-36
64453-1	5-36
64454	5-36
64476	5-22
64481	5-42
64483	5-35
64486-1	5-35
64487	5-9, 5-35
64489	5-22
64512	5-4
64523	5-48
64526	5-48
64529	5-48
64535	5-6
64552	5-9
64553	7-9
64591	5-10
64595	5-8
64598	5-44
64609	5-35
64610	5-39
64677	8-4
64727	5-36
64729	5-36
64739	5-46
64747	5-46
64756	5-4

Part Number	Page Number
64757	5-4
64758	9-3
64759	9-3
64760	5-36
64764	5-36
64768	5-39
64777-1	5-30
64785	5-46, 8-2
64791	5-9
64793	5-39
64814	9-9
64832	9-2, 9-3
64840	9-3
64861	9-10
64862	9-10
64865	9-10
64866	5-48, 8-4
64867	5-48, 8-4
64868	5-35
64875	5-48
64929	5-28
64935	5-46
64936	5-46
64966	6-2
64991	5-9, 7-9
65145-1	5-15
67004	5-48, 8-4, 9-12
67832	5-14, 5-25
68106	5-16, 7-2
68176	13-4
68275	5-8
68301	8-2
68346	9-10
68567	5-8
68869	7-10
68870	7-10
68962	5-19
69203	8-2
69207	9-9
69214	5-34
69215	5-46
69225	5-44
69227	5-36
69228	5-36
69231	5-4
69252	5-44
69276	7-6
69414	5-38
69429	5-36
69443	9-9
69444	5-48
69459	5-44
69461	5-44
69462	5-44
69465	5-4, 6-2
69491	13-14

Part Number	Page Number
69494	5-36
69494-1	5-46
69494-2	8-2
69495	5-46
69497	5-46
69538	5-48
69539	9-8
69559	7-6
69571	5-9
69588	9-3
69598	5-22
69612	8-4, 9-9
69637	5-48, 8-4
69639	8-4
69641	5-28
69649	8-4
69657	9-12
69659	9-12
69667	5-4
69708	8-2
69709	5-19
69724	5-42
69725	5-43
69736	5-20, 7-5
69752	5-30
69770	9-10
69772	9-9
69779	5-36
69780	5-36
69784	8-2, 8-4
69785	8-2, 8-4
7167620D	13-24
72432-S	12-8
72034-S	12-4
75048	5-48, 8-4
75050	5-44
75106	5-48
75128	5-4, 5-35
75343	7-2
75430	5-4, 5-9
75452	5-32
75454	5-32
75456	5-32
75456-1	5-32
75456-2	5-4, 5-32
75456-3	5-32
75456-4	5-32
75461	5-32
75575	5-36
76053	5-12, 5-13
76058	5-11, 5-13
76083	5-46
76306	5-34
76313	5-10
76736	5-20, 5-22, 7-2, 7-5, 7-16
76825	7-8



Part Number	Page Number	Part Number	Page Number
76882	5-32	84992B	13-14
76921	5-44	84992C	13-14
76927	5-44	85037	13-14
76943	5-44	85037A	13-14
76979	5-22, 5-35	85037B	13-14
77097	5-14, 5-40, 5-44	85037C	13-14
78143	5-14	86086	5-32
78170	7-2	89029	13-21
78802	5-48, 8-4	90990	13-2
79273-2	5-46, 8-2	92425	13-28
79424	8-4	92453	13-28
79484	8-2	93005	13-6
79605	5-8		
79606	8-2		
79607	8-2		
79610	8-2		
79660	9-8		
82063	9-4		
82200	9-5		
82264	5-18		
82503	5-20		
82505	6-2		
82525	5-2, 5-22		
82526	5-22		
82533	5-20		
82535	5-16		
82542	5-18		
82544	5-22		
82556	6-2		
82584	5-16		
82588	5-19		
82661	5-22		
82674	5-20		
82675	5-18		
82678	6-2		
82684	6-2		
82691	6-2		
82697	5-2, 12-11		
82728	5-22		
82729	7-5		
82730	5-22		
82747	5-34		
82764	5-15		
82767	5-15		
82780	5-25, 7-11		
82784	5-25, 7-11		
82786	5-16		
82798	5-19		
82805	5-26		
82825	5-14, 5-36		
82830	5-14, 5-19		
82918	5-40		
83417	13-14		
84417	13-14		
84992	13-14		
84992A	13-14		

